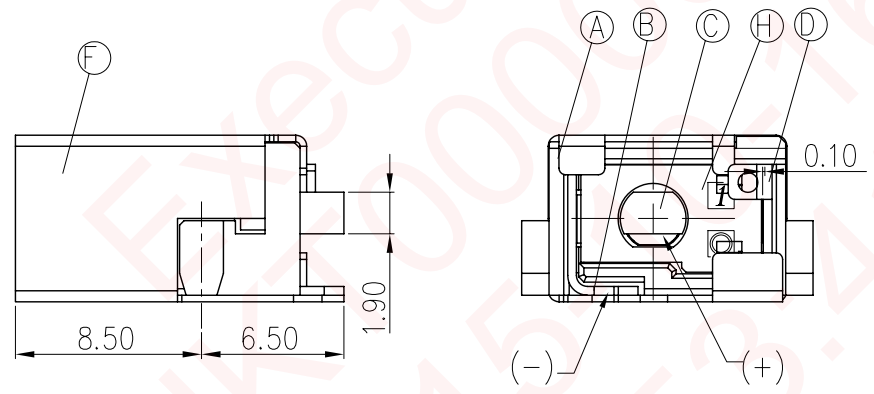
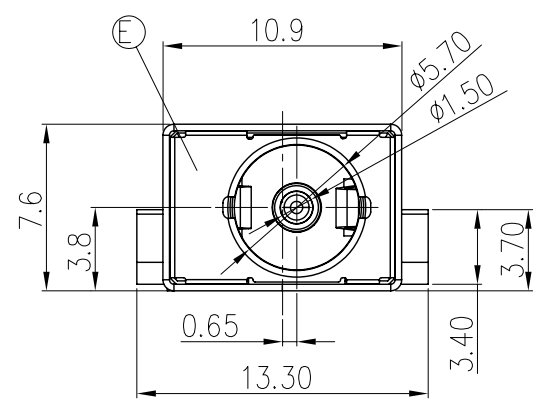
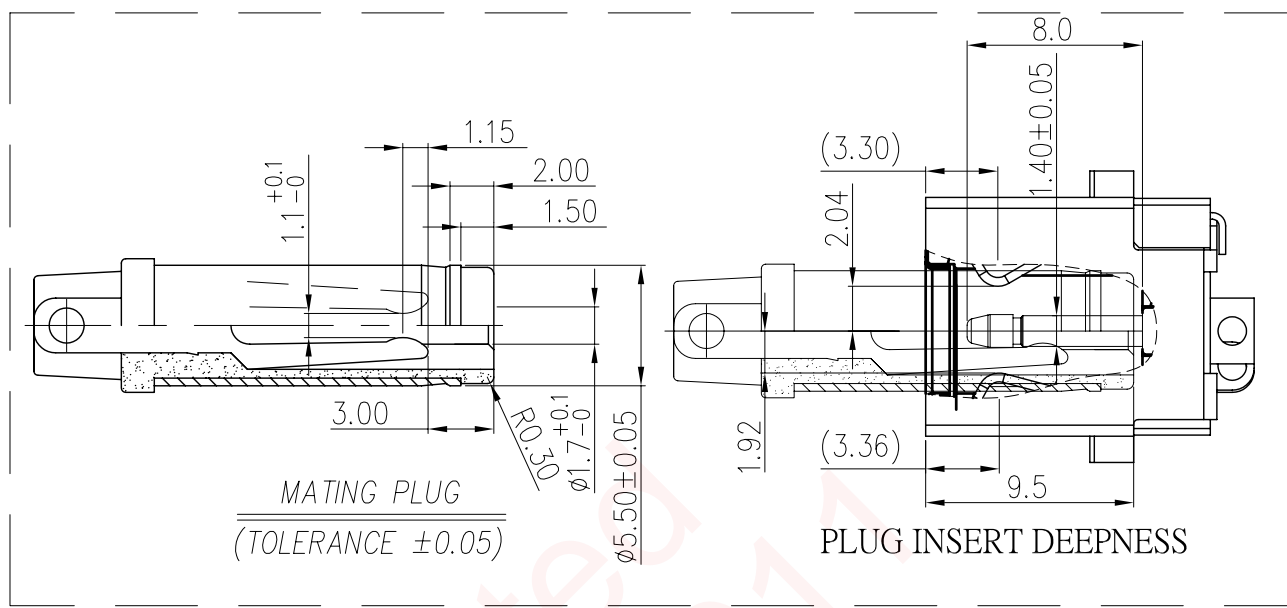
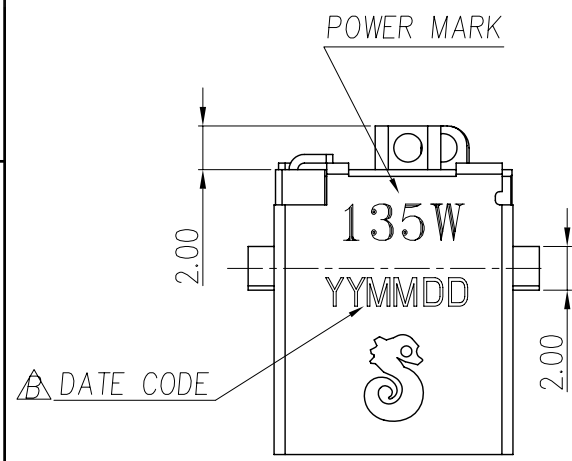
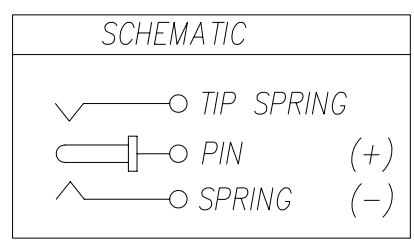
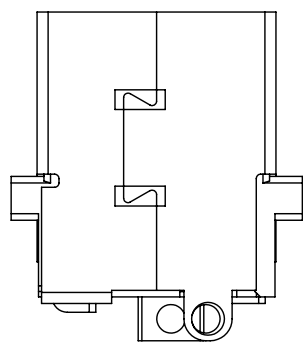


REV.	ECN NO OR DESCRIPTION	REVISED	DATE
A	PRODUCT RELEASE	CHEN	2015.07.13
B	ECN: C150147 MODIFY D/C	CHEN	2015.09.25



- SPECIFICATIONS:**
- ELECTRICAL CHARACTERISTICS:
 - 1-1. RATING: 20V 7.5A
 - 1-2. CONTACT RESISTANCE: 10mΩ MAX.(INITIAL)
 - 1-3. DIELECTRIC WITHSTANDING VOLTAGE: 500V AC FOR ONE MINUTE.
 - 1-4. INSULATION RESISTANCE: 100MΩ MIN. MEASURED BY 500 VDC
 - LIFE TEST: 5,000 CYCLES MIN.
 - OTHER GENERAL SPEC. TO REFER "2DC2024-000191F SPEC".
 - TO CONFORM TO SINGATRON HAZARDOUS SUBSTANCE FREE SPEC.
 - HALOGEN FREE PRODUCT IDENTIFICATION MARK ON JACK: ©
 - HALOGEN FREE PRODUCT IDENTIFICATION LABEL ON PACKAGING:
 - FOR HAND SOLDERING LEAD-FREE PROCESS.
 - PACKAGING: BAG.



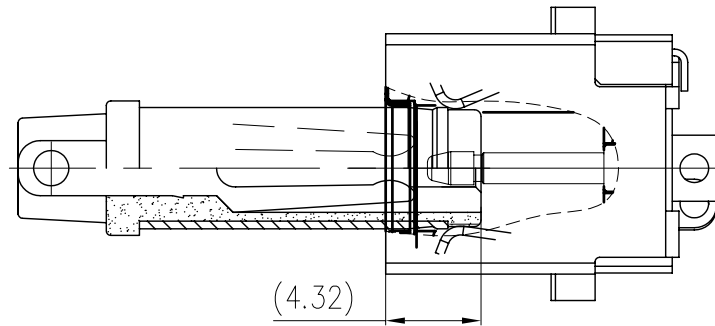
NO	DESCRIPTION	QTY	MATERIAL	PLATING & COLOR
H	COVER	1	THERMOPLASTIC UL 94V-0	BLACK COLOR
G	STOPPER	1	THERMOPLASTIC UL 94V-0	BLACK COLOR
F	SHELL	1	SPCC	NICKEL PLATING
E	GROUND	1	STAINLESS	N/A
D	TIP SPRING	1	COPPER ALLOY	GOLD FLASH
C	PIN	1	BRASS	GOLD FLASH
B	SPRING	1	COPPER ALLOY	GOLD FLASH
A	HOUSING	1	THERMOPLASTIC UL 94V-0	PURPLE(253C)

UNLESS OTHERWISE SPECIFIED TOLERANCES		Singatron Enterprise Co., Ltd. 信音企業股份有限公司	
DECIMALS:	ANGLES:	TITLE	DC POWER JACK
X : ±0.5	X : ±2°	DWN	Chen-Cao 15/10/16 PART NO. 2DC2024-000191F
X.X : ±0.3	X.X : ±1°	CHKD	Stone-Zhu 15/10/16 SCALE 3:1 UNIT: mm
X.XX : ±0.2		APVD	Zip-Zhou 15/10/16 SIZE: A3 SHEET: 1 OF 2 REV: B
CUSTOMER COPY			

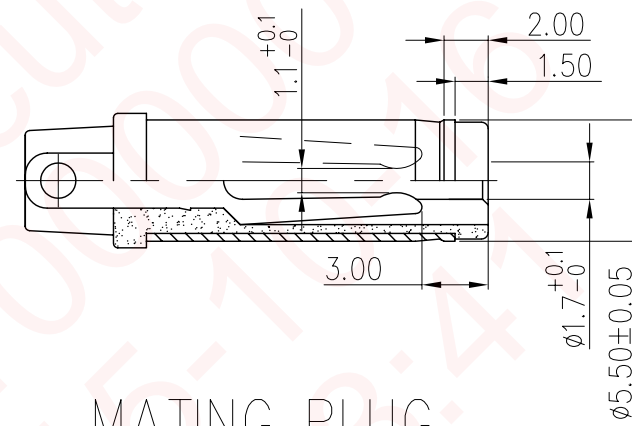
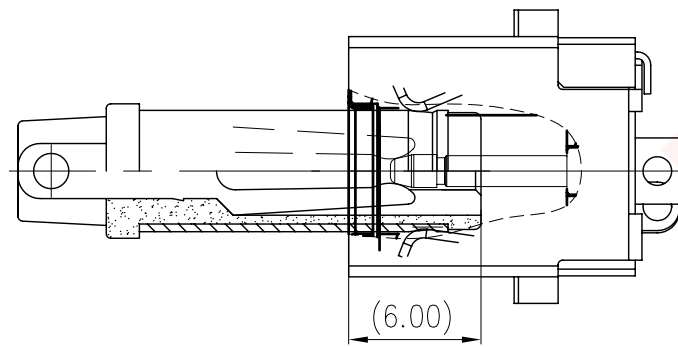
MATING DRAWING

REV.	ECN NO OR DESCRIPTION	REVISED	DATE
A	PRODUCT RELEASE	CHEN	2015.07.13
B	ECN: C150147 MODIFY D/C	CHEN	2015.09.25

(1).WIPING DISTANCE FOR SPRING&TIP CONTACT

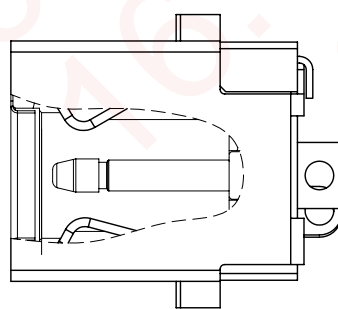
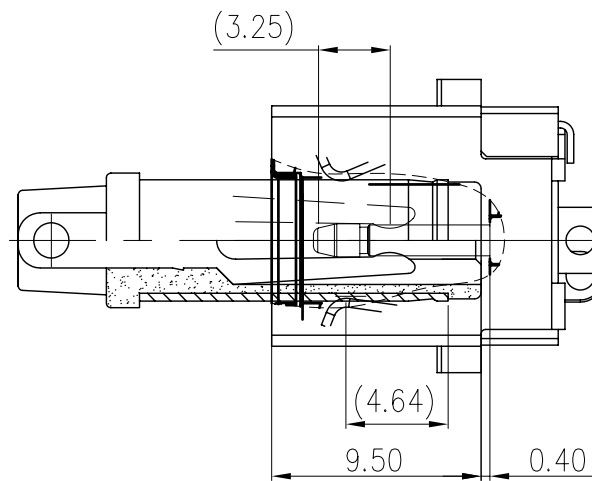


(2).WIPING DISTANCE FOR CENTER PIN(+) CONTACT



MATING PLUG

(3).THE PLUG CAN INSERT THE CONNECTOR



DC JACK

UNLESS OTHERWISE SPECIFIED TOLERANCES

DECIMALS: ANGLES:
 X :±0.5 X :±2°
 X.X :±0.3 X.X :±1°
 X.XX :±0.2

Singatron Enterprise Co., Ltd.
信音企業股份有限公司

TITLE	DC POWER JACK		
DWN	Chen-Cao 15/10/16	PART NO.	2DC2024-000191F
CHKD	Stone-Zhu 15/10/16	SCALE 3:1	UNIT: mm
APVD	Zi-Zhou 15/10/16	SIZE: A3	SHEET: 2 OF 2
REV: B			

CUSTOMER COPY