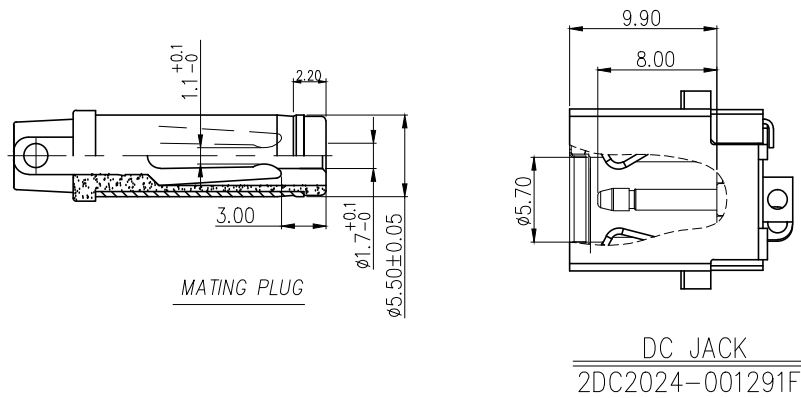
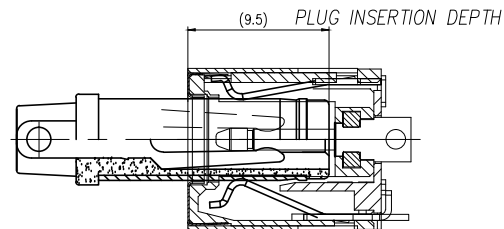


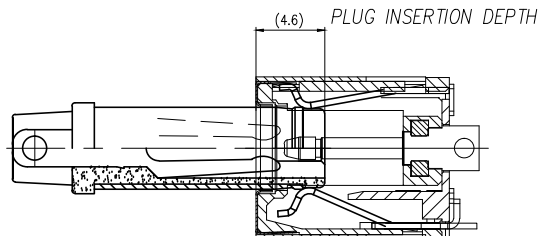
REV.	ECN NO OR DESCRIPTION	REVISED	DATE
A	PDR NO.T151214-7A	Allen	2016.04.12
B	ECN NO.S160723-C	YUREN	2016.08.26
C	ECN NO.S161111-C	YUREN	2017.1.19
D	ECN NO.S170530-R	YUREN	2017.7.31



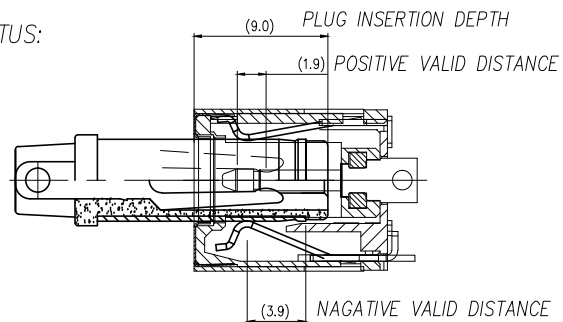
3. INSERTED INTO THE POSITIONING STATUS:



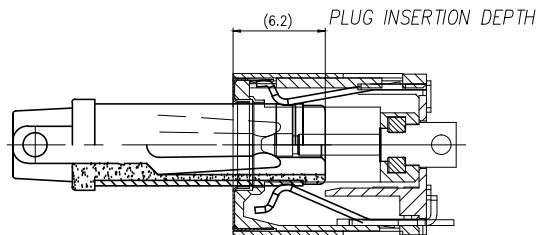
1. NEGATIVE CONTACT FIRST:



4. LOCK STATUS:



2. POSITIVE CONTACT SECOND:



UNLESS OTHERWISE SPECIFIED TOLERANCES

DECIMALS: ANGLES:
 X : ±0.5 X : ±2°
 X.X : ±0.3 X.X : ±1°
 X.XX : ±0.2



Singatron Enterprise Co., Ltd.
 信音企業股份有限公司

TITLE	MATING DRAWING		
DWN	YUREN	PART NO.	2DC2024-001291F
CHKD	CERRY	SCALE 3:1	UNIT: mm
APVD	LIAO	SIZE: A3	SHEET: 2 OF 2 REV: D
CUSTOMER COPY			