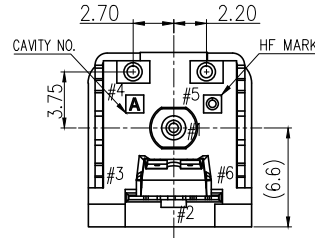
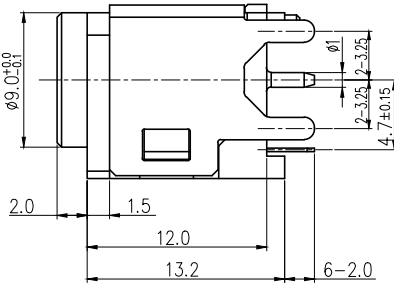
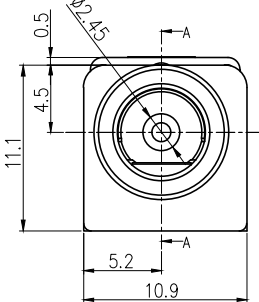
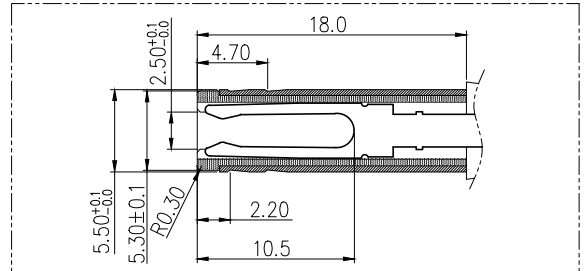
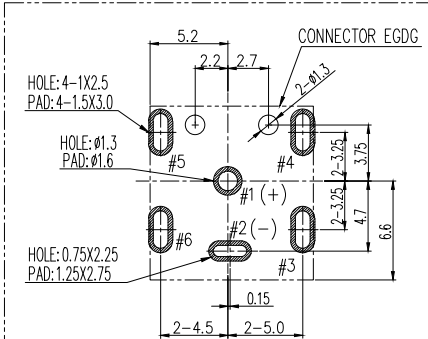
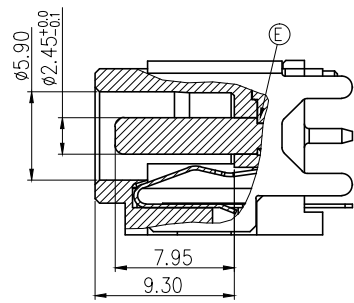
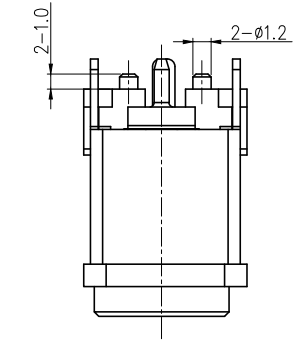
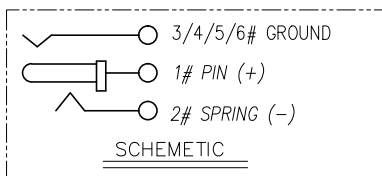
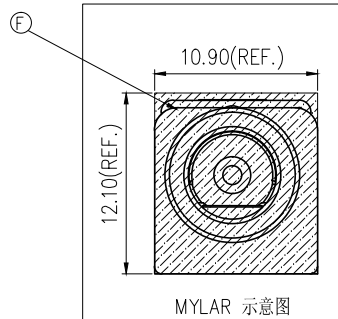
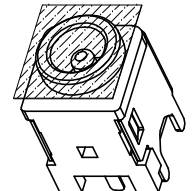
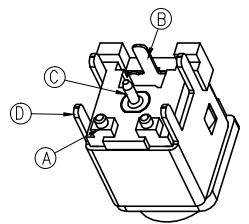
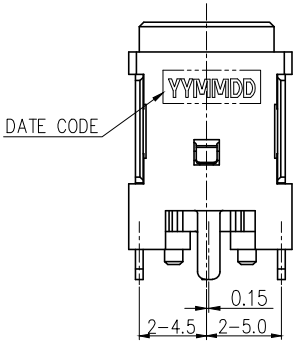


|      |                       |           |            |
|------|-----------------------|-----------|------------|
| REV. | ECN NO OR DESCRIPTION | REVISED   | DATE       |
| A    | PRODUCT RELEASE       | Zhongjian | 2023.03.16 |



- SPECIFICATIONS:**
- ELECTRICAL CHARACTERISTICS:**
    - 1-1. RATING: DC 20V 9A
    - 1-2. DIELECTRIC WITHSTANDING VOLTAGE: 500V R.M.S MIN;
    - 1-3. INSULATION RESISTANCE: 1000MΩ MIN.
    - 1-4. CONTACT RESISTANCE: 30mΩ MAX.(INITIAL)
  - MECHANICAL CHARACTERISTICS:**
    - 2-1. INSERTION FORCE : 0.4~2.5 KGf
    - 2-2. WITHDRAWAL FORCE : 0.4~2.5 KGf
    - 2-3. LIFE TEST: 5,000 CYCLES MIN.
  3. OTHER GENERAL SPEC. TO REFER "2DC2034-000111 F\_SPEC".
  4. TO CONFORM TO SINGATRON HAZARDOUS SUBSTANCE FREE SPEC.
  5. HALOGEN FREE PRODUCT IDENTIFICATION MARK ON PRODUCT:
  6. HALOGEN FREE PRODUCT IDENTIFICATION LABEL ON PACKAGING:
  7. FOR REFLOW SOLDERING LEAD FREE PROCESS.
  8. PACKAGING: TAPE&REEL



| F  | MYLAR       | 1   | T=0.15                          | YELLOW (TRANSPARENT) |
|----|-------------|-----|---------------------------------|----------------------|
| E  | STOPPER     | 1   | HIGH TEMP.THERMOPLASTIC UL94V-0 | BLACK                |
| D  | SHELL       | 1   | SPCC 0.5T                       | NICKEL PLATED        |
| C  | PIN         | 1   | COPPER ALLOY                    | SILVER PLATING       |
| B  | TIP SPRING  | 1   | COPPER ALLOY 0.25T              | SILVER PLATING       |
| A  | BODY        | 1   | HIGH TEMP.THERMOPLASTIC UL94V-0 | BLACK                |
| NO | DESCRIPTION | QTY | MATERIAL                        | PLATING & COLOR      |

|                                       |           |  |               |                             |
|---------------------------------------|-----------|--|---------------|-----------------------------|
| UNLESS OTHERWISE SPECIFIED TOLERANCES |           | Singatron Enterprise Co., Ltd.<br>信音企業股份有限公司 |               |                             |
| DECIMALS:                             | ANGLES:   | TITLE  | DC POWER JACK |                             |
| X : ±0.5                              | X : ±2°   | DWN  | ZhongJian-Wu  | PART NO. 2DC2034-000211F    |
| X.X : ±0.3                            | X.X : ±1° | CHKD   | Stone-Zhu     | SCALE 4:1 UNIT: mm          |
| X.XX : ±0.2                           |           | APVD   | Jin-Deng      | SIZE: A3 SHEET: 10F1 REV: A |
| CUSTOMER COPY                         |           |  |               |                             |