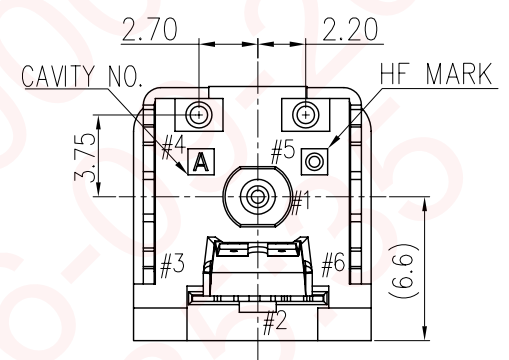
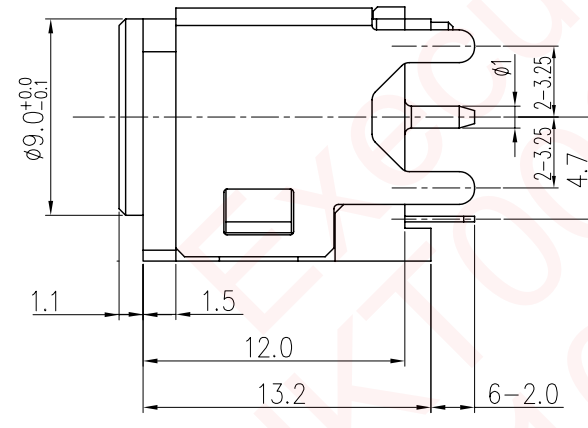
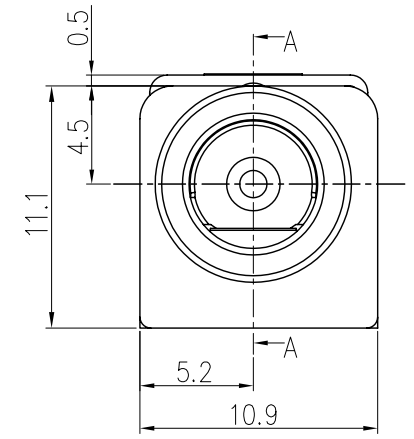
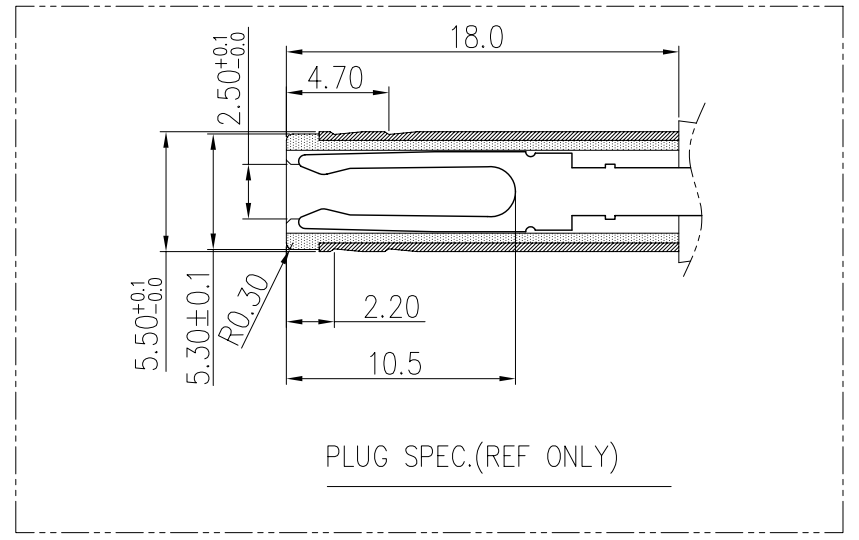
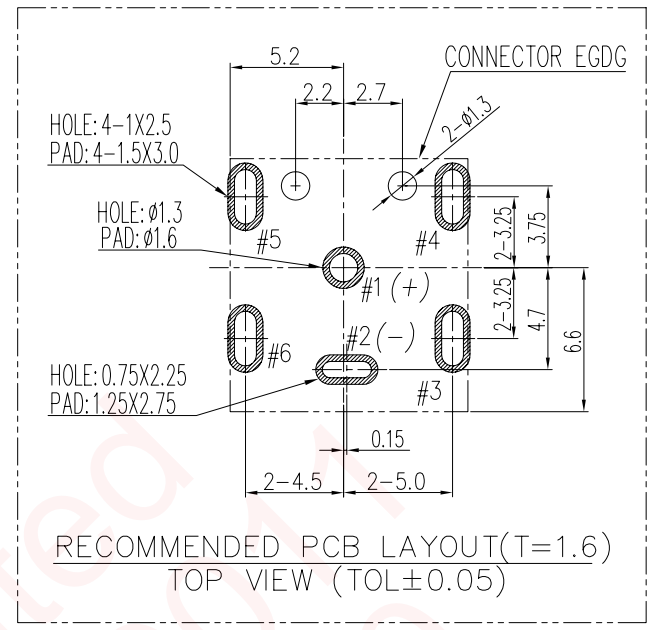
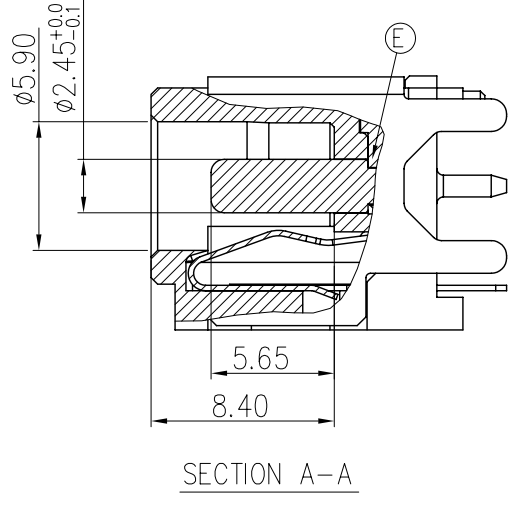
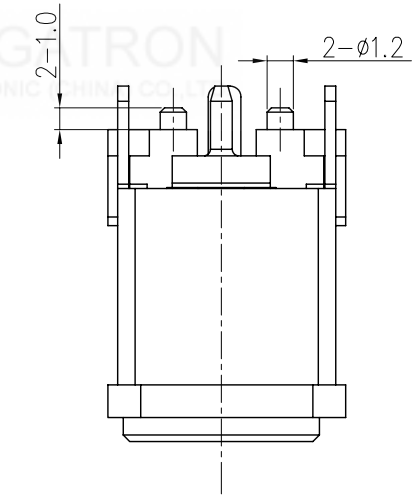
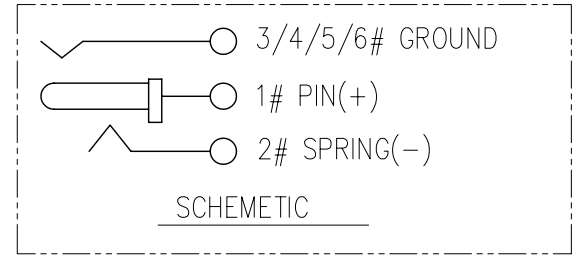
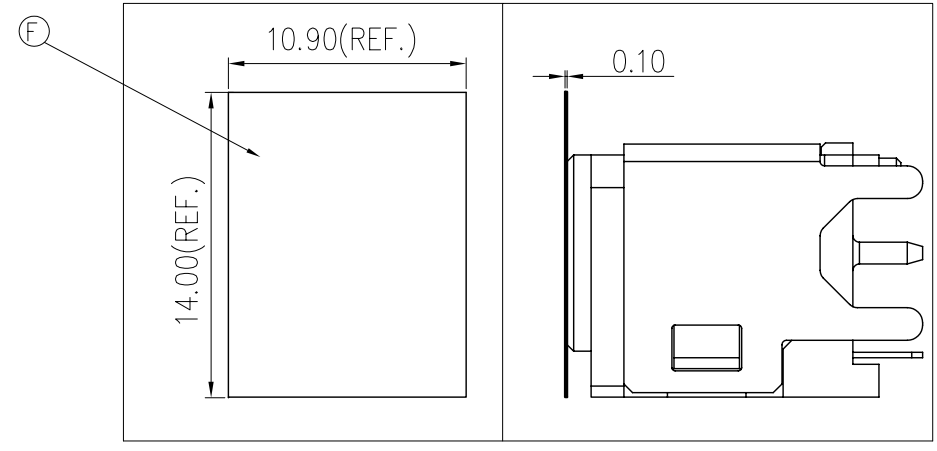
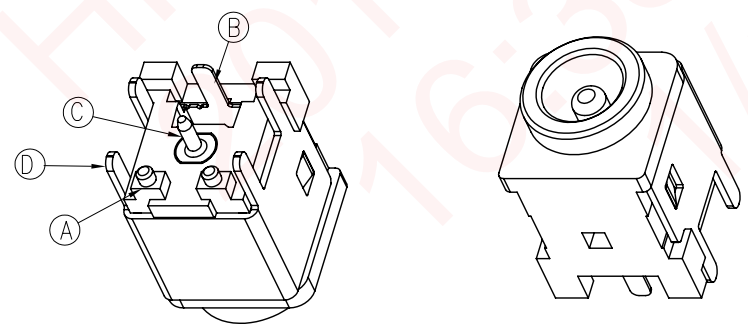
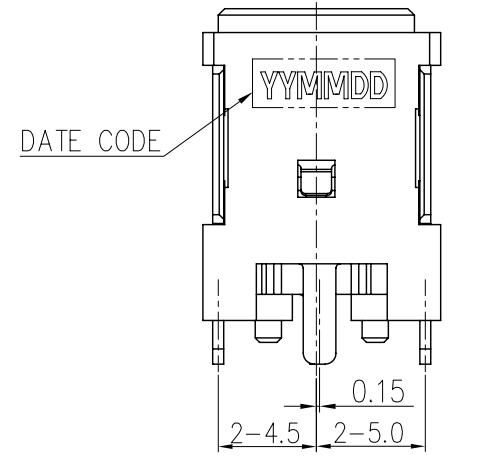




REV.	ECN NO OR DESCRIPTION	REVISED	DATE
A	PDR NO.: T160525-8A	Cheney	16.09.14



- SPECIFICATIONS:
- ELECTRICAL CHARACTERISTICS:
 - 1-1. RATING: 20 VDC 9A.
 - 1-2. DIELECTRIC WITHSTANDING VOLTAGE: 500 VAC FOR ONE MINUTE.
 - 1-3. INSULATION RESISTANCE: 1,000MΩ MIN. AT 500 VDC.
 - 1-4. CONTACT RESISTANCE: 30mΩ MAX.(INITIAL)
 - MECHANICAL CHARACTERISTICS:
 - 2-1. INSERTION FORCE : 0.4~2.5 KGF
 - 2-2. WITHDRAWAL FORCE : 0.4~2.5 KGF
 - 2-3. LIFE TEST: 8,000 CYCLES MIN.
 - OTHER GENERAL SPEC. TO REFER "2DC2034-001111F SPEC.
 - TO CONFORM TO SINGATRON HAZARDOUS SUBSTANCE FREE SPEC.
 - HALOGEN FREE PRODUCT IDENTIFICATION MARK ON PRODUCT:
 - HALOGEN FREE PRODUCT IDENTIFICATION LABEL ON PACKAGING:
 - FOR REFLOW SOLDERING LEAD FREE PROCESS.
 - PACKAGING: TRAY



NO	DESCRIPTION	QTY	MATERIAL	PLATING & COLOR
F	MYLAR		T=0.1	YELLOW (TRANSPARENT)
E	STOPPER	1	HIGH TEMP.THERMOPLASTIC	BLACK
D	SHELL	1	STEEL 0.5T	NICKEL PLATING
C	PIN	1	COPPER ALLOY	SILVER PLATING
B	TIP SPRING	1	COPPER ALLOY 0.25T	SILVER PLATING
A	BODY	1	HIGH TEMP.THERMOPLASTIC UL94V-0	BLACK

UNLESS OTHERWISE SPECIFIED TOLERANCES		Singatron Enterprise Co., Ltd. 信音企業股份有限公司	
DECIMALS:	ANGLES:	TITLE: DC POWER JACK	
X : ±0.5	X : ±2°	DWN	Nanlin-Chen 16/09/18 PART NO. 2DC2034-001111F
X.X : ±0.3	X.X : ±1°	CHKD	Qicai-Hu 16/09/18 SCALE 4:1 UNIT: mm
X.XX : ±0.2		APVD	Zij-Zhou 16/09/18 SIZE: A3 SHEET: 10F1 REV: A
CUSTOMER COPY			

2016/09/18 11:22:49 文件編號: RD-06-043-A