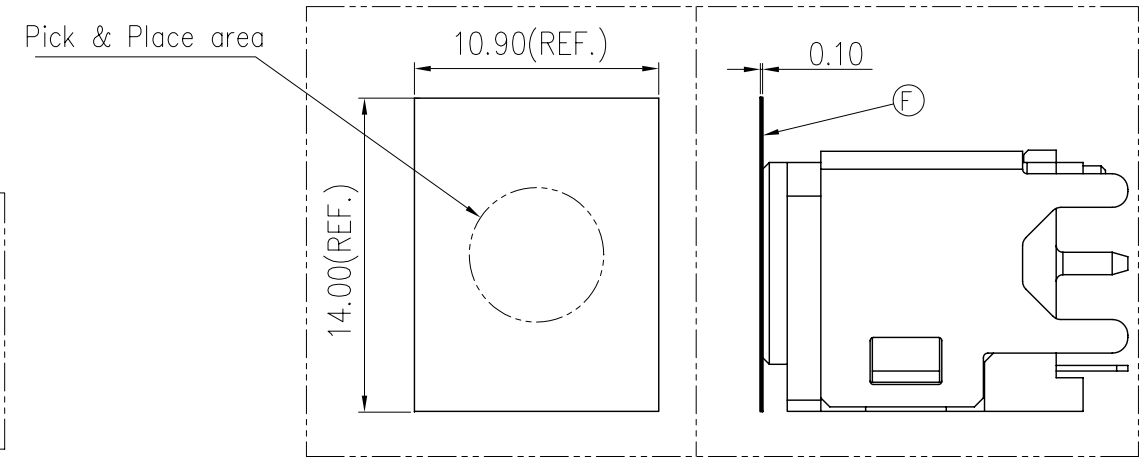
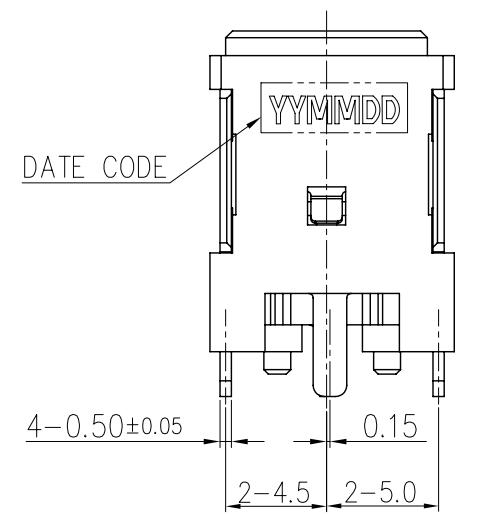
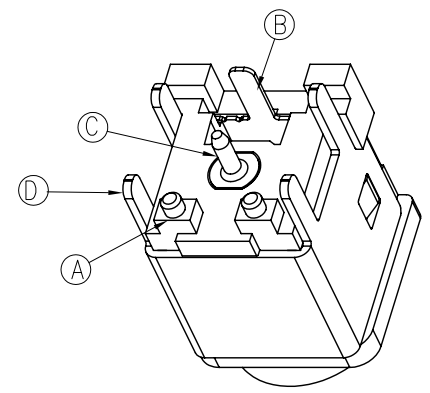
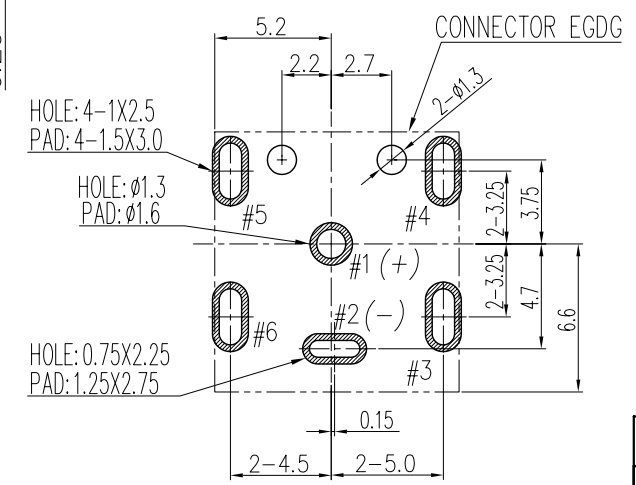
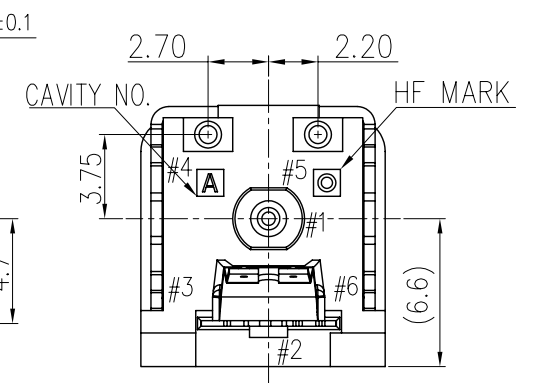
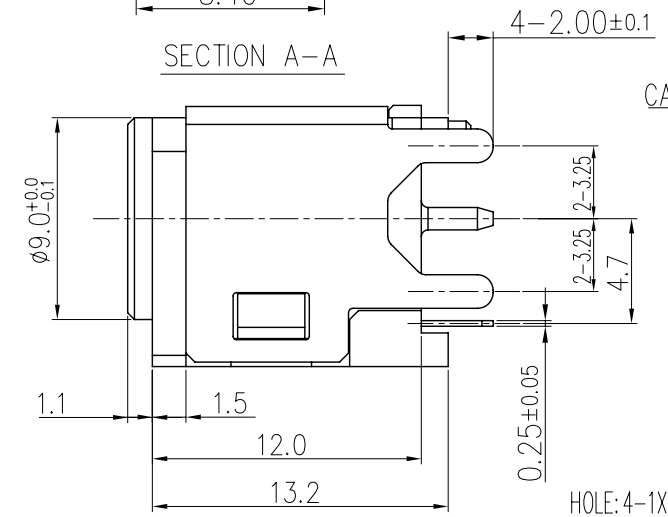
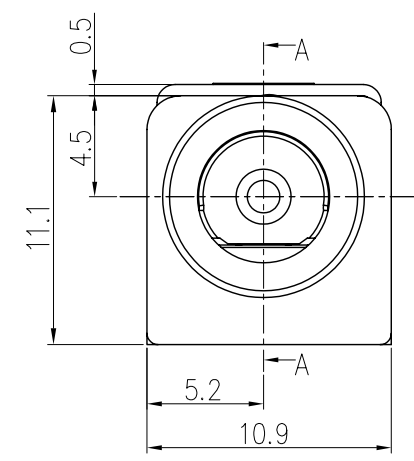
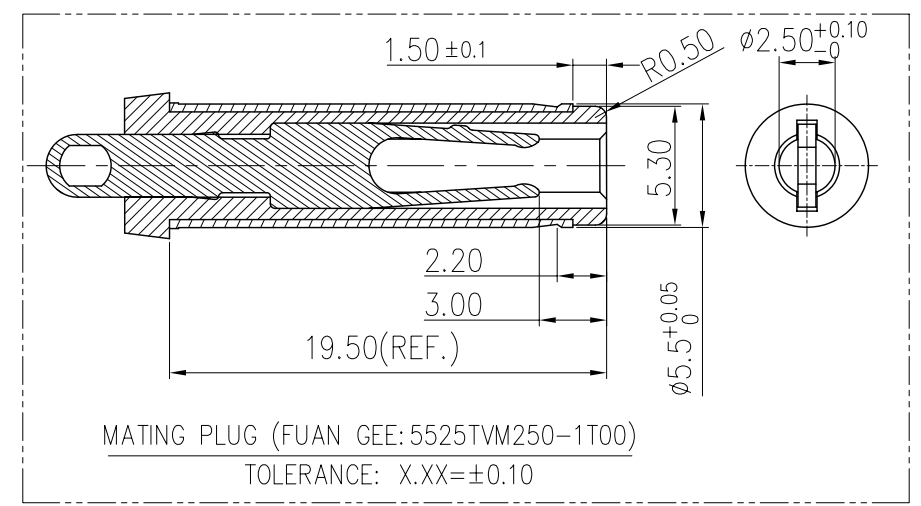
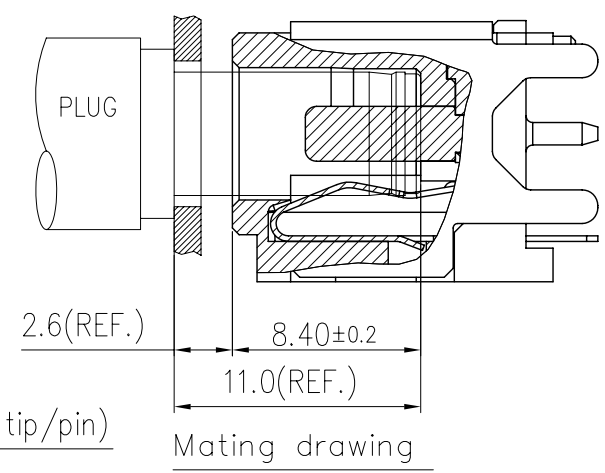
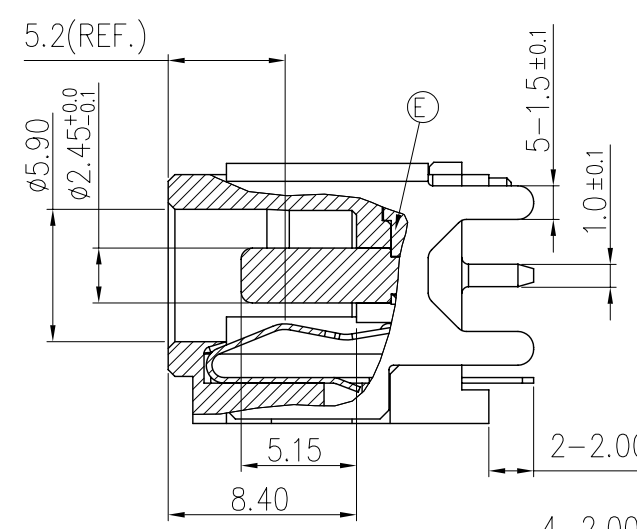
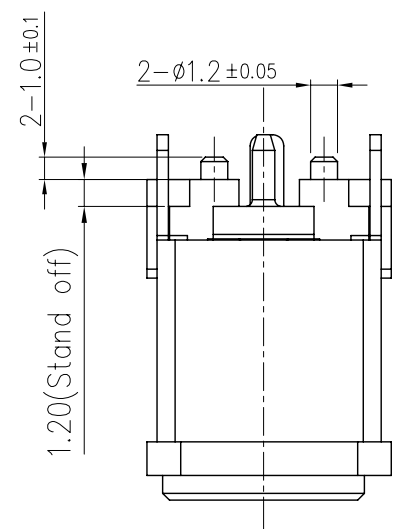
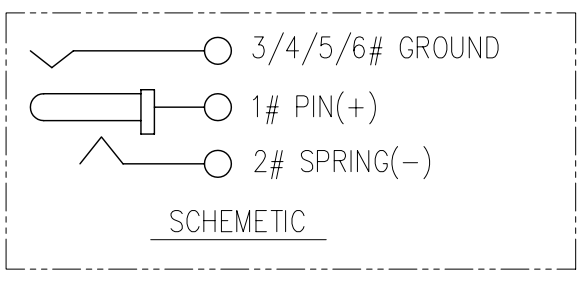


REV.	ECN NO OR DESCRIPTION	REVISED	DATE
A	PRODUCT RELEASE	Cheney	17.03.21



- SPECIFICATIONS:
- ELECTRICAL CHARACTERISTICS:
    - RATING: 20 VDC 9A.
    - DIELECTRIC WITHSTANDING VOLTAGE: 500 VAC FOR ONE MINUTE.
    - INSULATION RESISTANCE: 1,000MΩ MIN. AT 500 VDC.
    - CONTACT RESISTANCE: 30mΩ MAX.(INITIAL)
  - MECHANICAL CHARACTERISTICS:
    - INSERTION FORCE : 0.8~2.0KGF
    - WITHDRAWAL FORCE : 0.8~2.0KGF
    - LIFE TEST: 8,000 CYCLES MIN.
  - OTHER GENERAL SPEC. TO REFER "2DC2034-002111F SPEC.
  - TO CONFORM TO SINGATRON HAZARDOUS SUBSTANCE FREE SPEC.
  - HALOGEN FREE PRODUCT IDENTIFICATION MARK ON PRODUCT:
  - HALOGEN FREE PRODUCT IDENTIFICATION LABEL ON PACKAGING:
  - FOR REFLOW SOLDERING LEAD FREE PROCESS.
  - PACKAGING: TAPE & REEL

F	MYLAR	1	T=0.1	YELLOW (TRANSPARENT)
E	STOPPER	1	E130i 30%GF UL94V-0	BLACK
D	SHELL	1	C2680 0.5T	NICKEL PLATING 50u"MIN.
C	PIN	1	BRASS	GOLD FLASH
B	SPRING	1	PHOSPHOR COPPER 0.25T	SILVER PLATING 20u"MIN.
A	BODY	1	PA-10T 30%GF UL94V-0	BLACK
NO	DESCRIPTION	QTY	MATERIAL	PLATING & COLOR

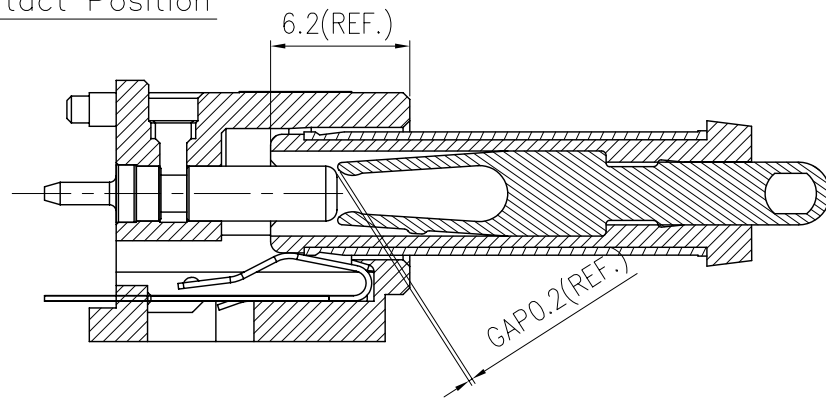


UNLESS OTHERWISE SPECIFIED TOLERANCES		Singatron Enterprise Co., Ltd. 信音企業股份有限公司	
DECIMALS:	ANGLES:	TITLE	DC POWER JACK
X : ±0.5	X : ±2°	DWN	Nanlin-Chen 17/03/23 PART NO. 2DC2034-002111F
X.X : ±0.3	X.X : ±1°	CHKD	Qicai-Hu 17/03/23 SCALE 4:1 UNIT: mm
X.XX : ±0.2		APVD	Zij-Zhou 17/03/23 SIZE: A3 SHEET: 10F2 REV: A
CUSTOMER COPY			

REV.	ECN NO OR DESCRIPTION	REVISED	DATE
A	PRODUCT RELEASE	Cheney	17.03.21

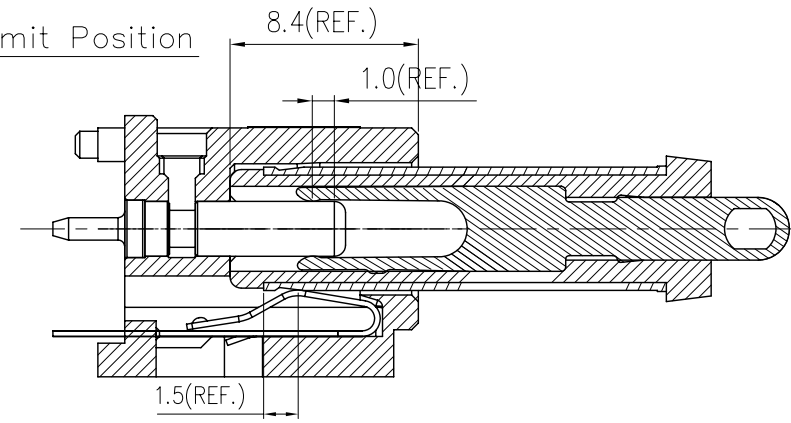
Description of plug-in travel and contact status:

1. Negative contact Position



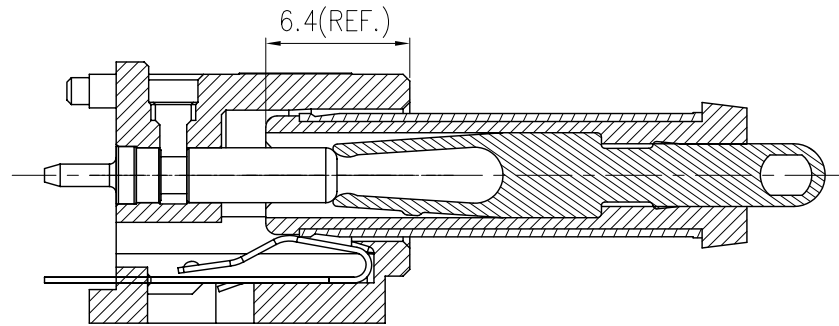
When plug into the 6.2mm depth.  
Then negative began contact and the positive still has 0.2mm gap

4. Plug-in limit Position



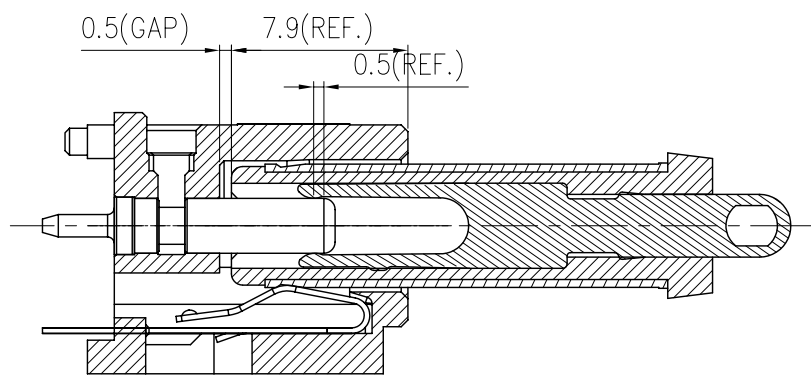
When plug into the 8.4mm depth had arrived the limit  
Than contacting travel of positive is 1.0mm

2. Positive contact Position



When plug continue into the 6.4mm depth.  
Then positive began contact

3. Locking Position



When plug into the 7.9mm depth.  
Then the contacting travel of positive is 0.5mm.  
Then groove of plug locked with positive spring,  
And there is 0.5mm gap between plug and bottom hole of body

F	MYLAR	1	T=0.1	YELLOW (TRANSPARENT)
E	STOPPER	1	E130i 30%GF UL94V-0	BLACK
D	SHELL	1	C2680 0.5T	NICKEL PLATING 50u"MIN.
C	PIN	1	BRASS	GOLD FLASH
B	SPRING	1	PHOSPHOR COPPER 0.25T	SILVER PLATING 20u"MIN.
A	BODY	1	PA-10T 30%GF UL94V-0	BLACK
NO	DESCRIPTION	QTY	MATERIAL	PLATING & COLOR

UNLESS OTHERWISE SPECIFIED TOLERANCES

Singatron Enterprise Co., Ltd.  
信音企業股份有限公司

DECIMALS:	ANGLES:
X : ±0.5	X : ±2°
X.X : ±0.3	X.X : ±1°
X.XX : ±0.2	

TITLE	DC POWER JACK		
DWN	Nanlin-Chen 17/03/23	PART NO. 2DC2034-002111F	
CHKD	Qicai-Hu 17/03/23	SCALE 4:1	UNIT: mm
APVD	Zjz-Zhou 17/03/23	SIZE: A3	SHEET: 20F2
			REV: A

CUSTOMER COPY