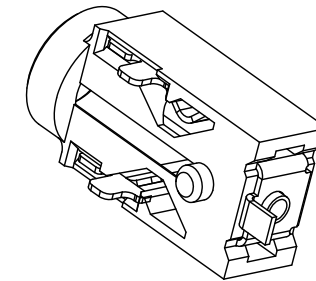
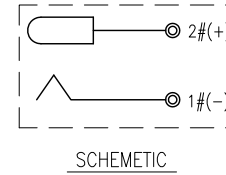
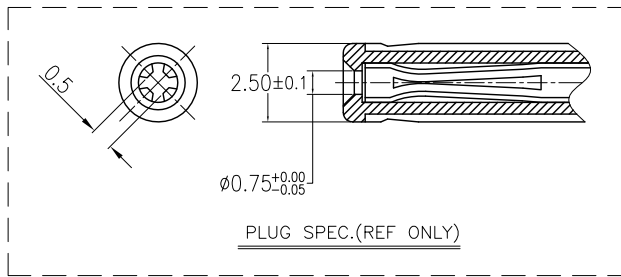
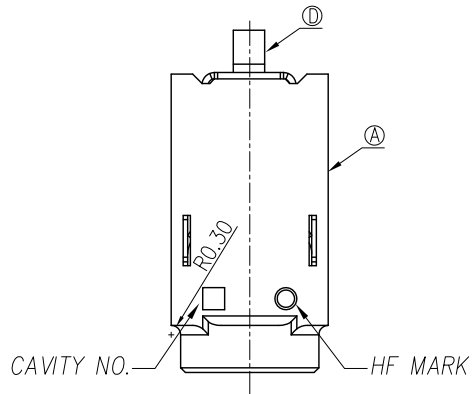


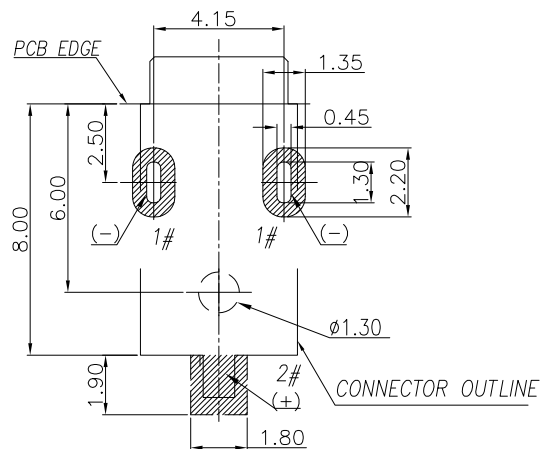
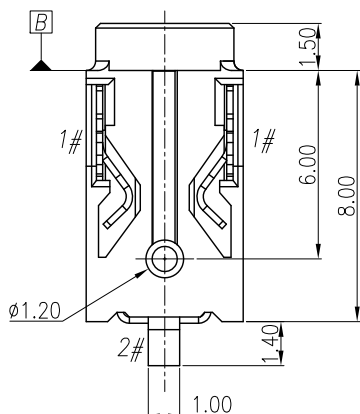
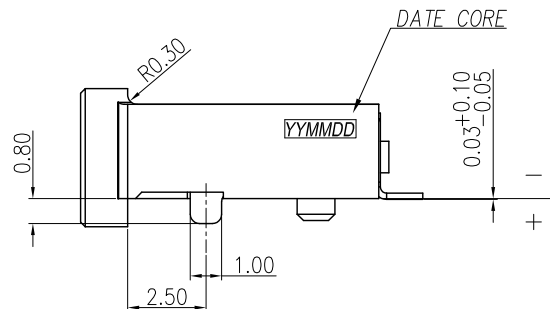
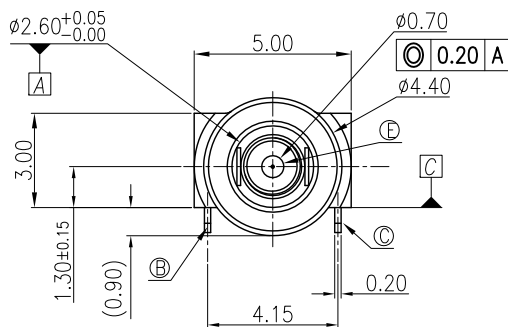
REV.	ECN NO OR DESCRIPTION	REVISED	DATE
A	PRODUCT RELEASE	Kermit	2014.05.12



**SPECIFICATIONS:**

- ELECTRICAL CHARACTERISTICS:
  - 1-1. RATING: 20V 4A
  - 1-2. CONTACT RESISTANCE: 50mΩ MAX.(INITIAL)
  - 1-3. DIELECTRIC WITHSTANDING VOLTAGE: 500V AC FOR ONE MINUTE.
  - 1-4. INSULATION RESISTANCE: 100MΩ MIN. MEASURED BY 500 V DC
- MECHANICAL CHARACTERISTICS:
  - 2-1. INSERTION FORCE : 0.4~2.0 KGF
  - 2-2. WITHDRAWAL FORCE : 0.4~2.0 KGF
- LIFE TEST: 5000 CYCLES
- OTHER GENERAL SPEC. TO REFER "2DC-S262 SERIES SPEC".
- TO CONFORM TO SINGATRON HAZARDOUS SUBSTANCE FREE SPEC.
- HALOGEN FREE PRODUCT IDENTIFICATION MARK:
- HALOGEN FREE PRODUCT IDENTIFICATION LABEL ON PACKAGING:
- FOR WAVE SOLDERING LEAD-FREE PROCESS.
- PACKAGING IN Tape & Reel.
- PRINTED DATE CODE "YMMDD" ON TOP OF CONNECTOR.

DD: DAY  
MM: MONTH  
YY: YEAR



RECOMMENDED PC.BOARD LAYOUT  
TOP VIEW (TOL±0.05)

NO	DESCRIPTION	QTY	MATERIAL	PLATING & COLOR
E	PIN	1	COPPER ALLOY,Ø0.70	SILVER PLATING
D	TERMINAL	1	COPPER ALLOY,0.20T	SILVER PLATING
C	TIP SPRING-B	1	COPPER ALLOY,0.20T	SILVER PLATING
B	TIP SPRING-A	1	COPPER ALLOY,0.20T	SILVER PLATING
A	BODY	1	HIGH TEMP. THERMAL PLASTIC UL94V-0	BLACK

UNLESS OTHERWISE SPECIFIED TOLERANCES		Singatron Enterprise Co., Ltd. 信音企業股份有限公司	
DECIMALS:	ANGLES:	TITLE	DC POWER JACK
X :±0.5	X :±2°	DWN	Kermit 14/5/16 PART NO. 2DC2262-002131F
X.X :±0.3	X.X :±1°	CHKD	ZJZ 14/5/16 SCALE 6:1 UNIT: mm
X.XX :±0.2		APVD	Liao 14/5/16 SIZE: A3 SHEET: 10F1 REV: A
CUSTOMER COPY			