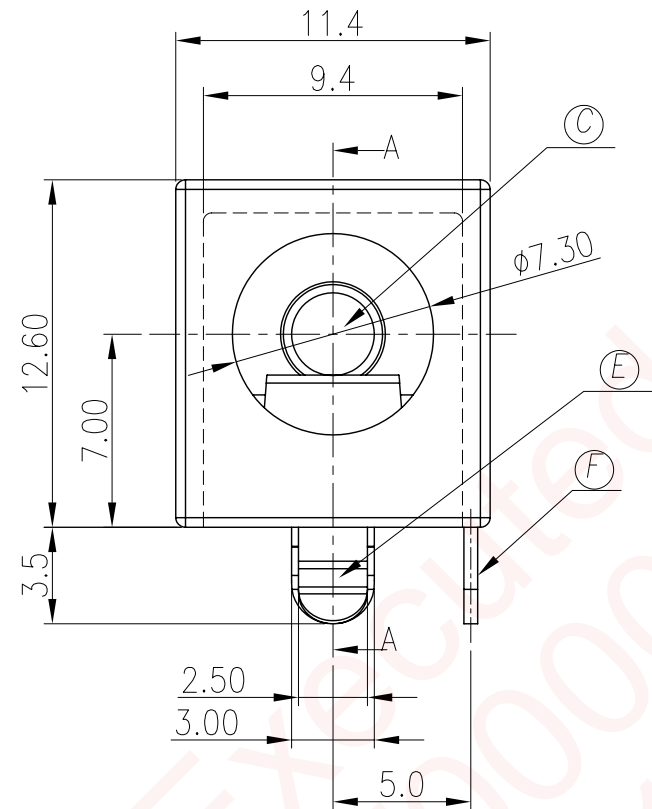
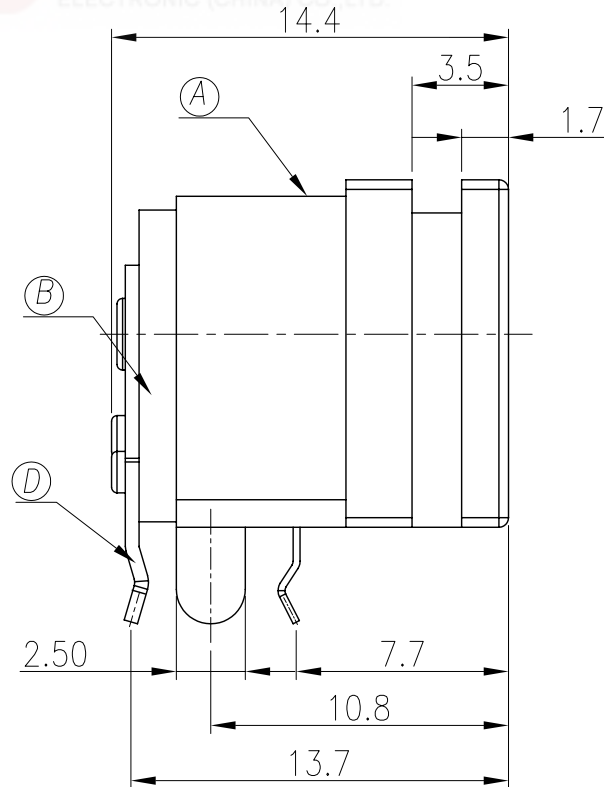
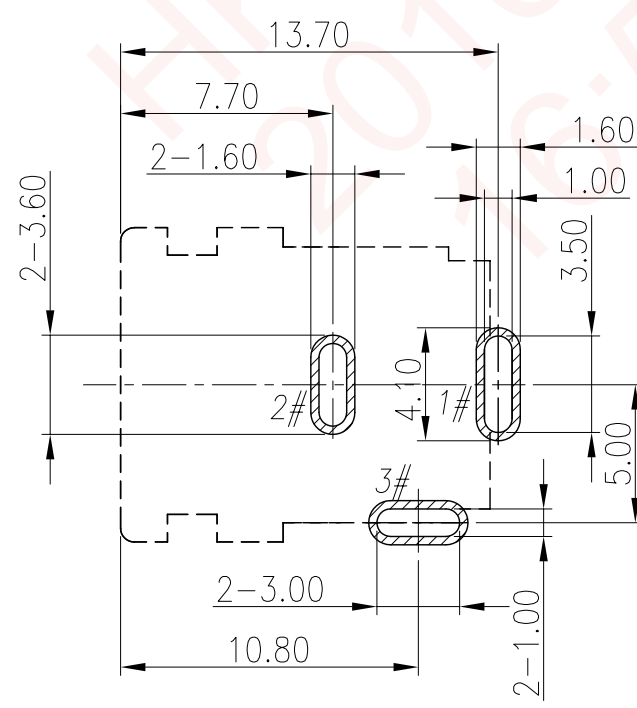
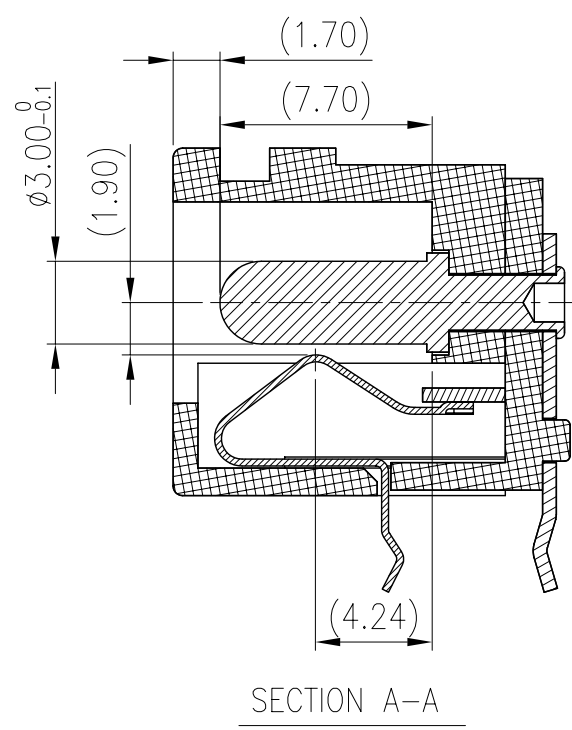


REV.	ECN NO OR DESCRIPTION	REVISED	DATE
A	PRODUCT RELEASE	BILL	2016/11/11

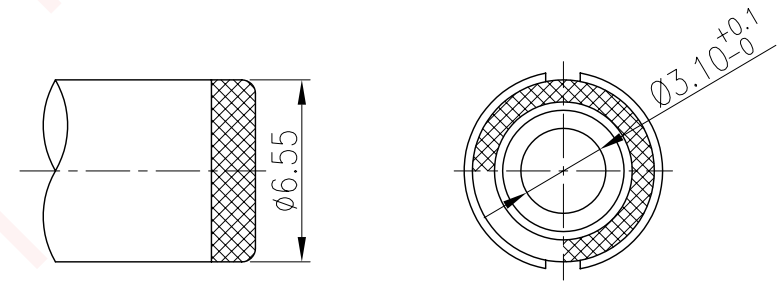


SPECIFICATIONS:

- ELECTRICAL CHARACTERISTICS:**
 - 1-1. RATING: 25V, 1A .
 - 1-2. CONTACT RESISTANCE: 30 MILLIOHMS MAX. FOR INITIAL, 50 MILLIOHMS MAX. AFTER 5,000 CYCLES TEST.
 - 1-3. INSULATION RESISTANCE: 100 MEGAOHMS MIN. BY 500V DC
 - 1-4. DIELECTRIC WITHSTANDING VOLTAGE: 500V AC FOR 1 MINUTE.
- MECHANICAL CHARACTERISTICS:**
 - 2-1. INSERTION FORCE : 0.3~3.0 KGF
 - 2-2. WITHDRAWAL FORCE : 0.3~3.0 KGF
- LIFE TEST: 5,000 CYCLES**
- OTHER GENERAL SPEC. TO REFER "2DC2Y08-000111H SPEC".**
- TO CONFORM TO SINGATRON HAZARDOUS SUBSTANCE FREE SPEC.**
- GREEN PRODUCT IDENTIFICATION MARK ON PRODUCT:**
- GREEN PRODUCT IDENTIFICATION LABEL ON PACKAGING:** **G.P. PASS**
- FOR WAVE SOLDERING LEAD-FREE PROCESS.**
- PACKING: BAG.**



RECOMMENDED P.C.B. LAYOUT
TOLERANCE (TOP VIEW) ±0.05mm



MATING PLUG

F	SHUNT	1	BRASS	TIN PLATING
E	TIP	1	COPPER ALLOY	TIN PLATING
D	TERMINAL	1	BRASS	TIN PLATING
C	PIN	1	BRASS	TIN PLATING
B	COVER	1	THERMOPLASTIC	研發部(CS) BLACK
A	HOUSING	1	UL 94V-0	
NO	DESCRIPTION	QTY	MATERIAL	PLATING & COLOR

UNLESS OTHERWISE SPECIFIED TOLERANCES		Singatron Enterprise Co., Ltd. 信音企業股份有限公司	
DECIMALS:	ANGLES:	TITLE	DC POWER JACK
X : ±0.5	X : ±2°	DWN	Bill-Zhang 16/11/23 PART NO. 2DC2Y08-000111H
X.X : ±0.3	X.X : ±1°	CHKD	Justin-Kuo 16/11/23 SCALE 3:1 UNIT: mm
X.XX : ±0.2		APVD	Max-Mai 16/11/23 SIZE: A3 SHEET: 1 OF 1 REV: A
CUSTOMER COPY			

2016/11/23
11:54:42