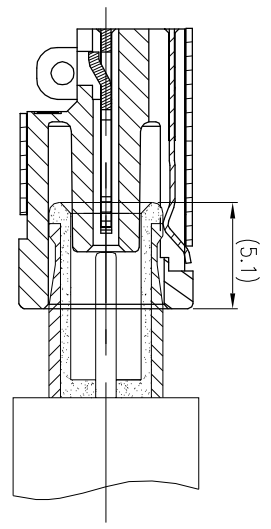


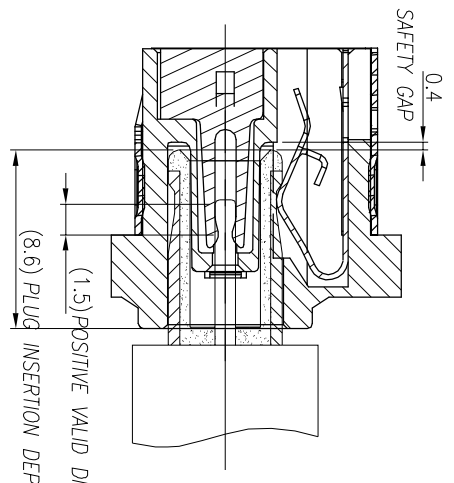


REV.	EGN NO OR DESCRIPTION	REVISED	DATE
A	PDR NO.S140528-4A	Springwu	2014.10.30

1. GROUND CONTACT FIRST

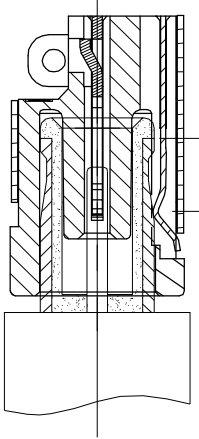


4. LOCK POSITION

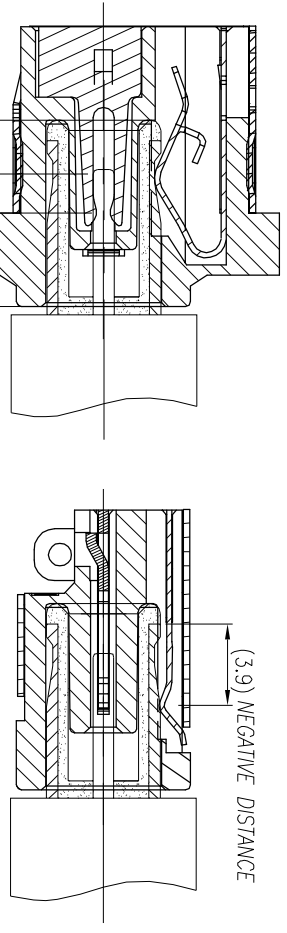


NEGATIVE VALID DISTANCE

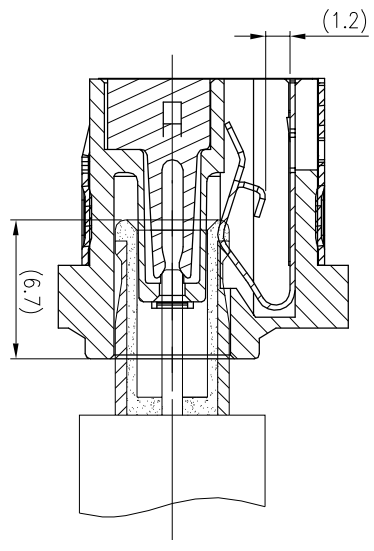
2. POSITIVE CONTACT SECOND



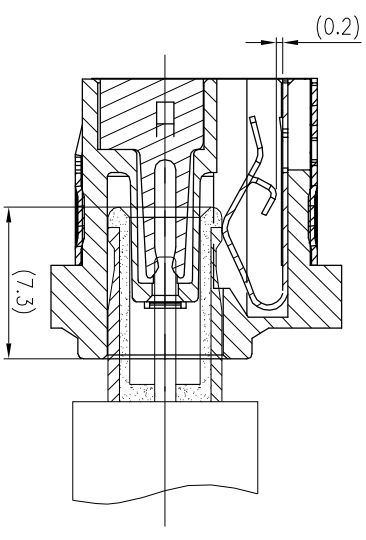
5. PLUG FULLY INSERTION



3. NEGATIVE CONTACT



(1.9) POSITIVE DISTANCE  
(9.0) PLUG INSERTION DEPTH



1 2 3 4 5 6 7 8

NO	DESCRIPTION	QTY	MATERIAL	PLATING & COLOR
UNLESS OTHERWISE SPECIFIED TOLERANCES				
Singatron Enterprise Co., Ltd. 信晉企業股份有限公司				
TITLE		DC JACK		
DWN	Springwu	PART NO.	2DC3002-004114F	
CHKD	Sky	SCALE:	4:1	UNIT: mm
APVD	Lussen	SIZE:	A3	SHEET: 2 OF 2
REV: A				
CUSTOMER COPY				

DECIMALS: X :±0.5 X :±2° X.X :±1' X.XX :±0.2 X.XX :±0.2