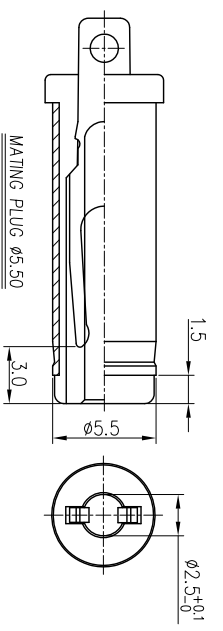
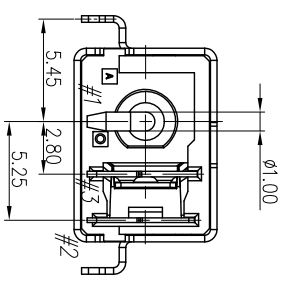
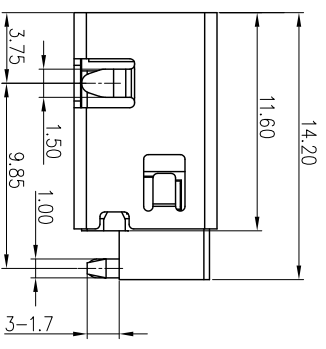
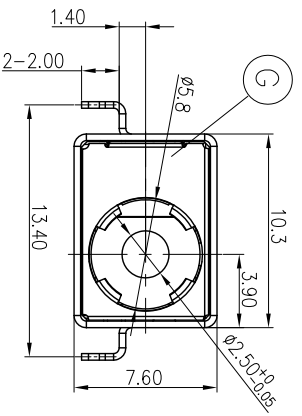
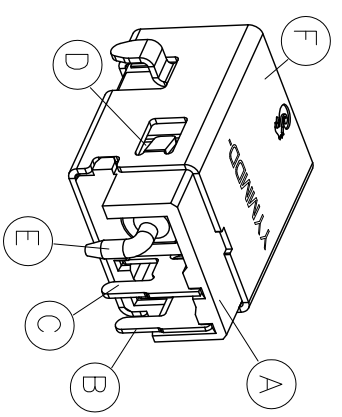
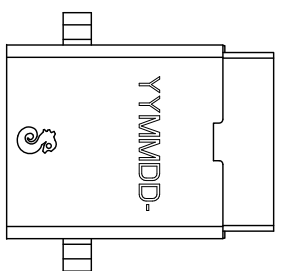
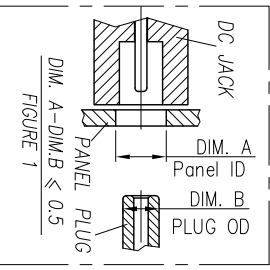
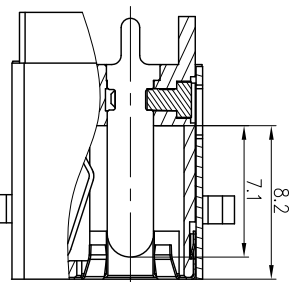
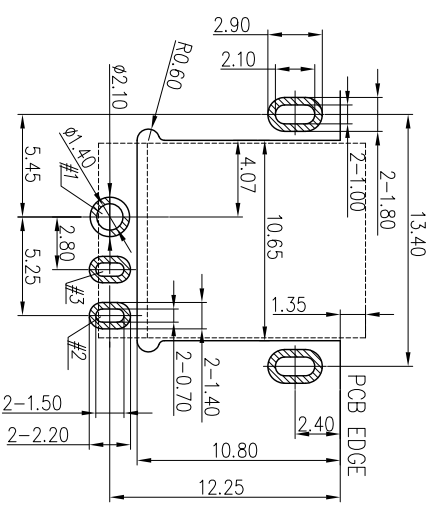


REV	ECN NO	OR DESCRIPTION	REVISED	DATE
A	PDR NO: TT40515-1A		Jie	2014.06.20



**SPECIFICATIONS:**

- ELECTRICAL CHARACTERISTICS:
  - 1-1. RATING: DC 20V, 8A
  - 1-2. CONTACT RESISTANCE: 30mΩ MAX (INITIAL)
  - 1-3. DIELECTRIC WITHSTANDING VOLTAGE: 500V AC FOR ONE MINUTE.
  - 1-4. INSULATION RESISTANCE: 100MΩ/MIN. MEASURED BY 500 VDC
- MECHANICAL CHARACTERISTICS:
  - 2-1. INSERTION FORCE : 3.0 KG Max.
  - 2-2. WITHDRAWAL FORCE : 0.3~3.0 KG
- LIFE TEST: 5,000 CYCLES MIN.
- OTHER GENERAL SPEC. TO REFER "2DC3003 SERIES SPEC".
- TO CONFORM TO SINGATRON HAZARDOUS SUBSTANCE FREE SPEC.
- HALOGEN FREE PRODUCT IDENTIFICATION MARK ON PRODUCT:
- HALOGEN FREE PRODUCT IDENTIFICATION LOGO ON THE PACKAGING:
- FOR REFLOW SOLDERING LEAD-FREE PROCESS.
- THE PANEL'S ID MUST BE GREATER THAN THE PLUG'S OD WHICH MUST HAVE A DIFFERENCE OF LESS THAN OR EQUAL TO 0.5 mm. (AS SHOWN IN FIGURE 1.)



**SCHEMATIC**

RECOMMEND P.C.B LAYOUT  
TOP VIEW (TOLERANCES: ±0.05)

NO	DESCRIPTION	QTY	MATERIAL	PLATING & COLOR
G	GROUNDING	1	STAINLESS 0.1T	N/A
F	SHIELDING	1	BRASS 0.35T	Ni 60u"
E	PIN	1	BRASS	GOLD FLASH OVER Ni 50u"
D	STOPPER	1	HIGH TEMP. THERMOPLASTIC	N/A
C	SHUNT TERMINAL	1	BRASS STRIP 0.3T	Ag20u " OVER Ni 20u"
B	TIP SPRING	1	COPPER ALLOY 0.3T	Ag20u " OVER Ni 20u"
A	BODY	1	HIGH TEMP. THERMOPLASTIC	BLACK

UNLESS OTHERWISE SPECIFIED TOLERANCES

Singttron Enterprise Co., Ltd.  
信晉企業股份有限公司

DECIMALS:	ANGLES:	TITLE	DC JACK
X : ±0.5	X : ±2°	Jie	
X.X : ±0.3	X.X : ±1'	Sky	PART NO: 2DC3003-011211P
X.XX : ±0.2		Lussen	SCALE 1:1 UNIT: mm
			SIZE: A3 SHEET: 10F1 REV: A

