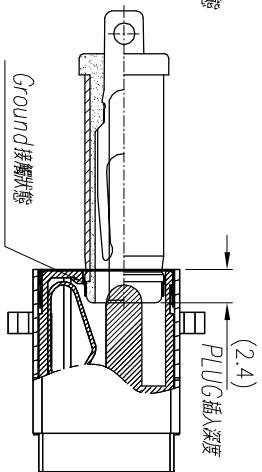
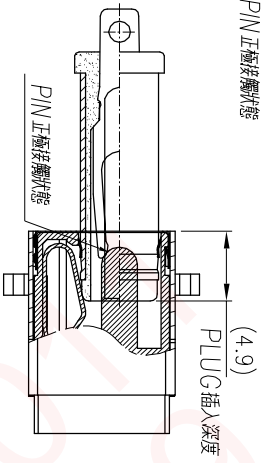




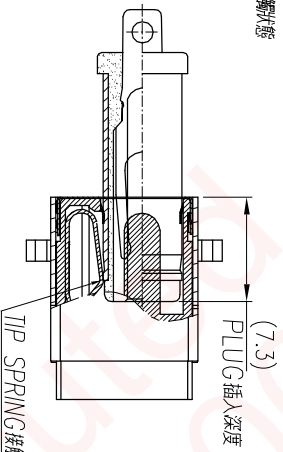
1. GROUND接觸狀態



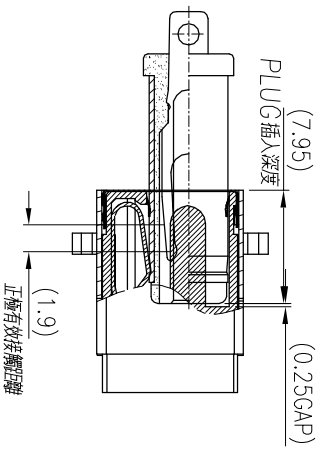
2. CENTER PIN正極接觸狀態



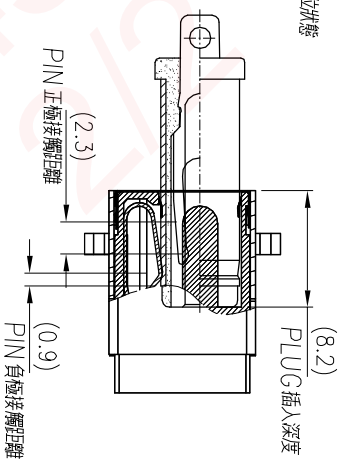
3. TIP SPRING接觸狀態



4. LOCK狀態



5. PLUG插至定位狀態



REV	ECN NO OR DESCRIPTION	REVISED	DATE
A	PDR NO. T150417-1A	PENG	2015.08.04

UNLESS OTHERWISE SPECIFIED TOLERANCES

DECIMALS:	ANGLES:
X : ±0.5	X : ±2°
X.X : ±0.3	X.X : ±1'
X.XX : ±0.2	

Singatron Enterprise Co., Ltd.  
信音企業股份有限公司

TITLE DC POWER JACK\_MATING DRAWING

DWN Peng PART NO.2DC38003-014211F

CHKD Sky SCALE 1:1 UNIT: mm

APVD Lussen SIZE: A3 SHEET: 20F2 REV: A

CUSTOMER COPY