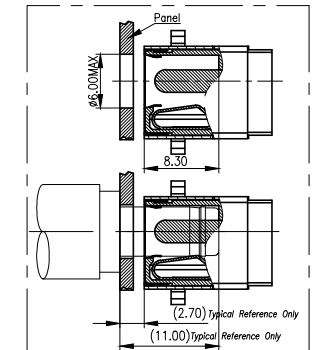
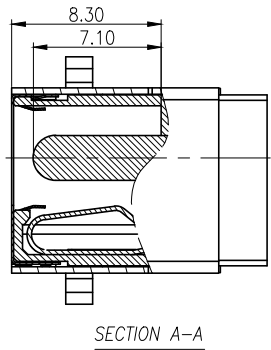
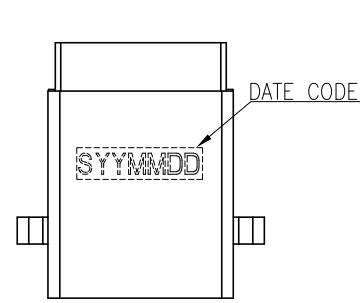


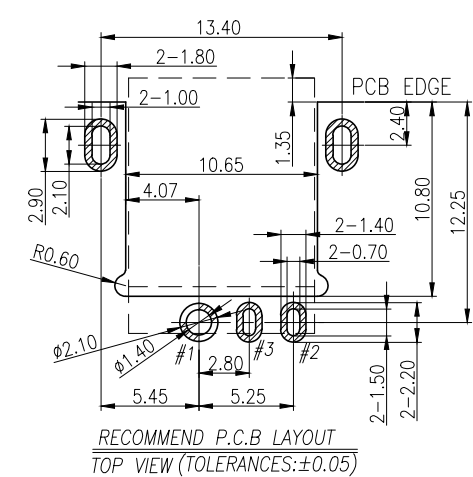
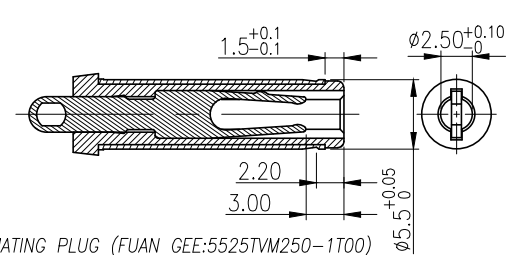
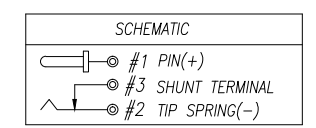
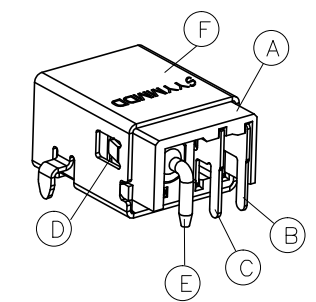
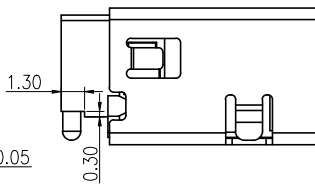
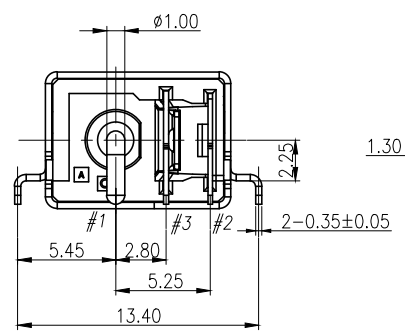
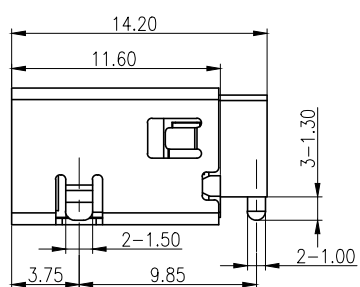
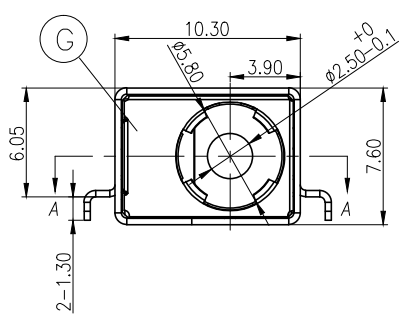
REV.	ECN NO OR DESCRIPTION	REVISED	DATE
A	PDR NO.:T211109-1A	Kesheng	2022.04.07



SPECIFICATIONS:

- ELECTRICAL CHARACTERISTICS:**
 - 1-1. RATING: 20V 10A
 - 1-2. CONTACT RESISTANCE: 30mΩ MAX.
 - 1-3. DIELECTRIC WITHSTANDING VOLTAGE: 500V AC FOR ONE MINUTE.
 - 1-4. INSULATION RESISTANCE: 100MΩ MIN. MEASURED BY 500 VDC
- MECHANICAL CHARACTERISTICS:**
 - 2-1. INSERTION FORCE: 2.5 Kgf MAX.
 - 2-2. WITHDRAWAL FORCE: 0.8~2.0Kgf.
- LIFE TEST: 5,000 CYCLES.**
- TO CONFORM TO SINGATRON HAZARDOUS SUBSTANCE FREE SPEC.**
- OTHER GENERAL SPEC. REFER TO "ZDC3003-023211F SPEC".**
- HALOGEN FREE PRODUCT IDENTIFICATION MARK ON PRODUCT:**
- HALOGEN FREE PRODUCT IDENTIFICATION LOGO ON PACKAGING:**
- PRINTED DATE CODE "SYMMDD".**

DD: DAY
 MM: MONTH
 YY: YEAR

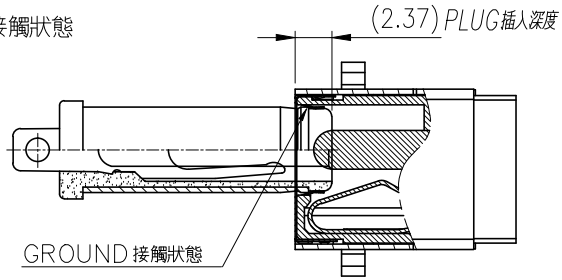


NO	DESCRIPTION	QTY	MATERIAL	PLATING & COLOR
G	GROUNDING	1	STAINLESS 0.1T	N/A
F	SHIELDING	1	BRASS 0.35T	Ni 60u"
E	PIN	1	BRASS	GOLD FALSH OVER Ni 50u"
D	STOPPER	1	HIGH TEMP. THERMOPLASTIC	N/A
C	SHUNT TERMINAL	1	BRASS STRIP 0.3T	Gold Flash On Contact Area. Sn 80u"Min On Solder Tail.
B	TIP SPRING	1	COPPER ALLOY 0.25T	All Over Ni 50u"Min.
A	BODY	1	HIGH TEMP. THERMOPLASTIC	BLACK

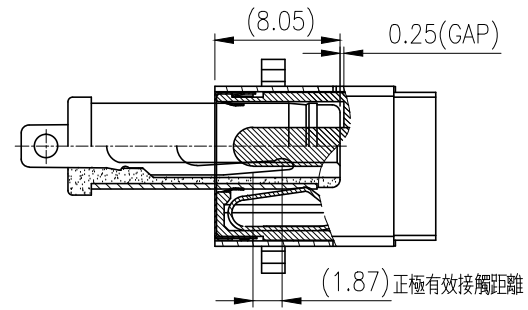
UNLESS OTHERWISE SPECIFIED TOLERANCES		Singatron Enterprise Co., Ltd. 信音企業股份有限公司	
DECIMALS:	ANGLES:	TITLE	
X :±0.5	X :±2°	DC POWER JACK	
X.X :±0.3	X.X :±1°	DWN	Kesheng PART NO.ZDC3003-023211F
X.XX :±0.2		CHKD	Lussen SCALE 1:1 UNIT: mm
		APVD	Liao SIZE: A3 SHEET:1 OF 2 REV:A
CUSTOMER COPY			

REV.	ECN NO OR DESCRIPTION	REVISED	DATE
A	PDR NO.:T211109-1A	Kesheng	2022.04.07

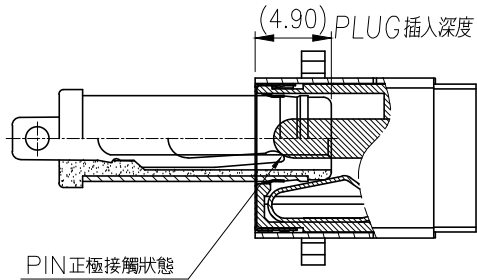
1. GROUND接觸狀態



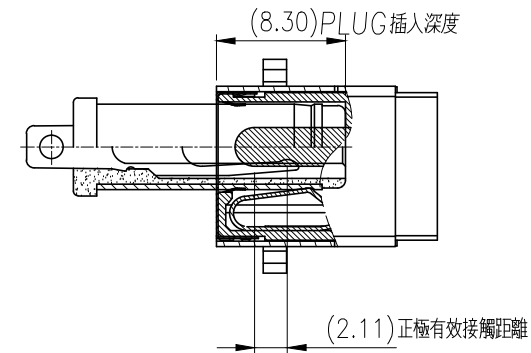
4. LOCK 狀態



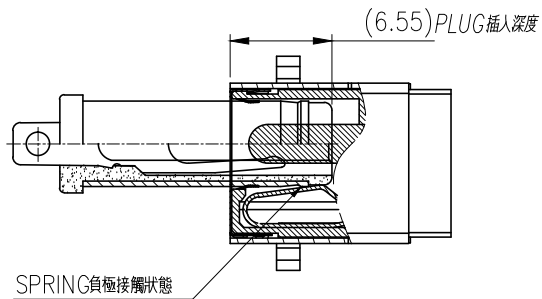
2. PIN正極接觸狀態



5. PLUG FULL MATING



3. SPRING負極接觸狀態



UNLESS OTHERWISE SPECIFIED TOLERANCES

DECIMALS: ANGLES:
 X :±0.5 X :±2°
 X.X :±0.3 X.X :±1°
 X.XX :±0.2



Singatron Enterprise Co., Ltd.
 信音企業股份有限公司

TITLE	DC POWER JACK		
DWN	Kesheng	PART NO. 2DC3003-023211F	
CHKD	Lussen	SCALE 4:1	UNIT: mm
APVD	Liao	SIZE: A3	SHEET: 2 OF 2
REV: A			
CUSTOMER COPY			