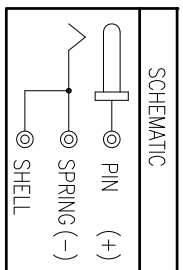
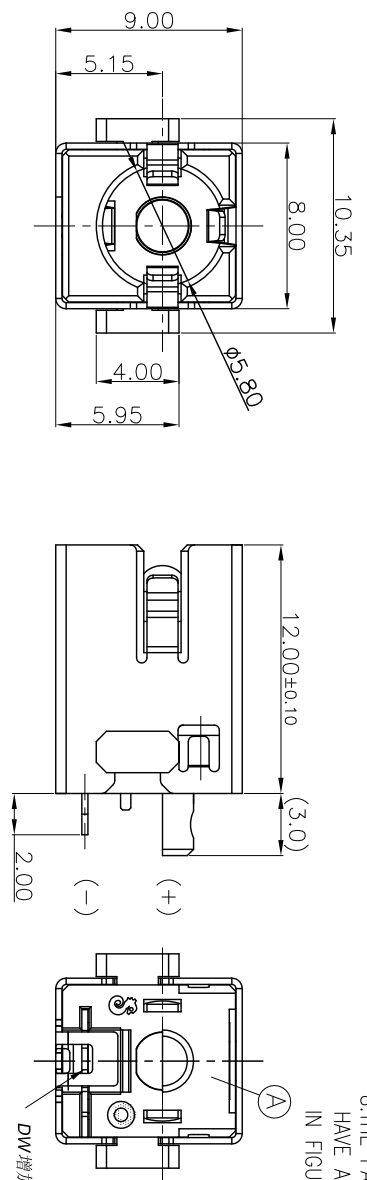
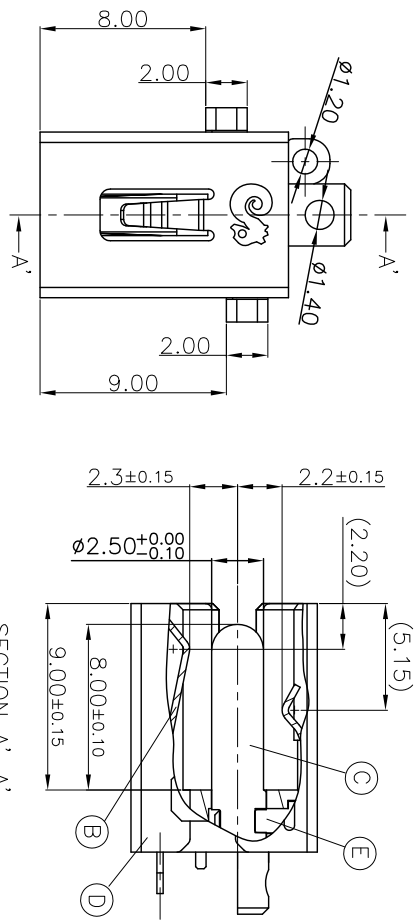
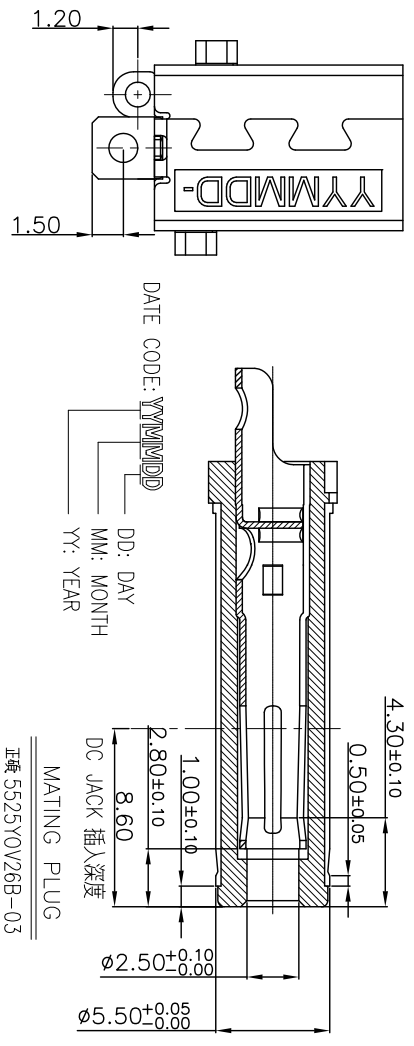
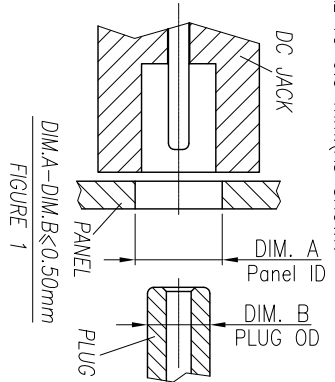


REV: A	ECN NO: PDR NO: T120608-3A	OR DESCRIPTION: Springwu	REVISED: 2012.12.17	DATE:
--------	----------------------------	--------------------------	---------------------	-------

- SPECIFICATIONS:
1. ELECTRICAL CHARACTERISTICS:
- 1-1. RATING: 20V 7A
 - 1-2. CONTACT RESISTANCE: 30mΩ MAX.(INITIAL)
 - 1-3. DIELECTRIC WITHSTANDING VOLTAGE: 500V AC FOR ONE MINUTE.
 - 1-4. INSULATION RESISTANCE: 100MΩ MIN. MEASURED BY 500 VDC
2. MECHANICAL CHARACTERISTICS:
- 2-1. INSERTION/WITHDRAWAL FORCE(BEFORE) : 3.0 KG MAX.
 - 2-2. INSERTION/WITHDRAWAL FORCE(AFTER) : 0.5 KG MIN.
3. LIFE TEST: 10,000 CYCLES.
4. TO CONFORM TO SINGATRON HAZARDOUS SUBSTANCE FREE SPEC.
5. GREEN PRODUCT IDENTIFICATION MARK ON JACK:
6. GREEN PRODUCT IDENTIFICATION LABEL ON PACKAGING:
7. PRINTED DATE CODE "YMMDD" ON TOP OF CONNECTOR.
8. THE PANEL'S ID MUST BE GREATER THAN THE PLUG'S OD WHICH MUST HAVE A DIFFERENCE OF LESS THAN OR EQUAL TO 0.5 mm.(AS SHOWN IN FIGURE 1.)



DW增加点焊工作站



E	STOPPER	1	HIGH TEMP. THERMOPLASTIC,UL94V-0	BLACK
D	SHELL	1	STAINLESS T=0.3	N/A
C	PIN	1	BRASS	Cold flash over Ni 50u" MIN.
B	SPRING	1	PHOSPHOR BRONZE,T=0.30	Au 1u" Min. on Contact Area, Sn 100u" Min. on Solder Tail, Over Nickel 50u" Min. plating.
A	BODY	1	HIGH TEMP. THERMOPLASTIC,UL94V-0	BLACK

UNLESS OTHERWISE SPECIFIED TOLERANCES

DECIMALS: ANGLES:

X :±0.5 X :±2°

X.X :±0.3 X.X :±1°

X.XX :±0.2

DC POWER JACK

Part No. 2DC3005-007111F

Scale: 4:1

Unit: mm

Sheet: 1 OF 1

Rev: A

CUSTOMER COPY

Singatron Enterprise Co., Ltd.
信智企業股份有限公司