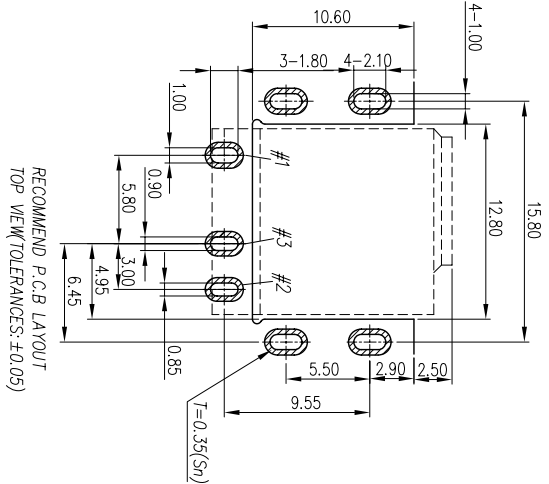
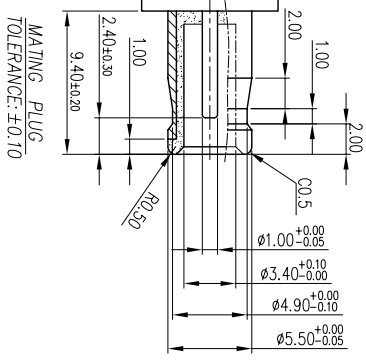


SECTION A-A  
SCALE 1:1



RECOMMEND P.C.B LAYOUT  
TOP VIEW TOLERANCES: ±0.05

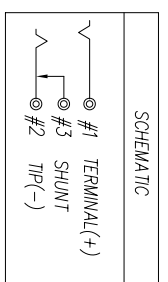


MATING PLUG  
TOLERANCE: ±0.10

REV	ECN NO	OR DESCRIPTION	REVISED	DATE
B	ECN NO: S100422		Ryan	2010.05.13
C	ECN NO: S120210		ANDY	2012.02.07
D	ECN NO: S120771		SpringWang	2012.07.31

SPECIFICATIONS:

- ELECTRICAL CHARACTERISTICS:
  - 1-1. RATING: DC 20V 7A
  - 1-2. CONTACT RESISTANCE: 30mΩ MAX. (INITIAL)
  - 1-3. DIELECTRIC WITHSTANDING VOLTAGE: 500V AC FOR ONE MINUTE
  - 1-4. INSULATION RESISTANCE: 100MΩ MIN. MEASURED BY 500 VDC
- MECHANICAL CHARACTERISTICS:
  - 2-1. INSERTION FORCE: 3.0 KG Max.
  - 2-2. WITHDRAWAL FORCE: 1.0~3.0 KG
- LIFE TEST: 5,000 CYCLES MIN.
- TO CONFORM TO SINGATRON HAZARDOUS SUBSTANCE FREE SPEC.
- HALOGEN FREE PRODUCT IDENTIFICATION MARK ON JACK:
- HALOGEN FREE PRODUCT IDENTIFICATION LABEL ON PACKAGING:
- FOR REFLOW SOLDERING LEAD-FREE PROCESS.
- PRINTED DATE CODE "YYMMDD" ON TOP OF CONNECTOR.
  - DD: DAY
  - MM: MONTH
  - YY: YEAR



F	GROUND	1	STAINLESS 0.20T	N/A
E	SHELL	1	BRASS 0.40T	Ni 60u" Min.
D	SHUNT	1	COPPER ALLOY 0.30T	GOLD FLASH ON CONTACT AREA, Sn 120u" ON SOLDER TAIL, ALL OVER Ni 60u"
C	TIP	1	COPPER ALLOY 0.25T	
B	TERMINAL	1	COPPER ALLOY 0.4T	
A	BODY	1	HIGH THERMOPLASTIC TEMP UL 94V-0	BLACK

UNLESS OTHERWISE SPECIFIED TOLERANCES

Singatron Enterprise Co., Ltd.  
信登企業股份有限公司

DECIMALS:	ANGLES:	TITLE
X : ±0.5	X : ±2°	DC JACK
X.X : ±0.3	X.X : ±1°	DWM SpringWang
X.XX : ±0.2		CHKD TOM
		APVD QUAN

PART NO.	SCALE	UNIT	SHEET	REV.
2DC3006-000111	1:1	mm	1 OF 1	D

CUSTOMER COPY