

1

2

3

4

5

6

7

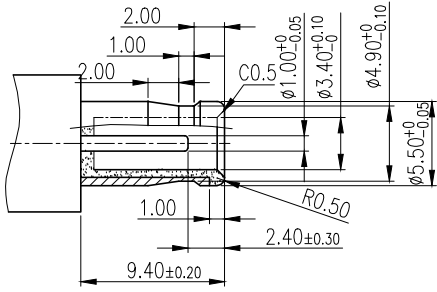
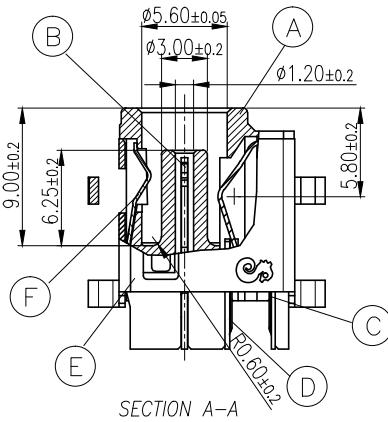
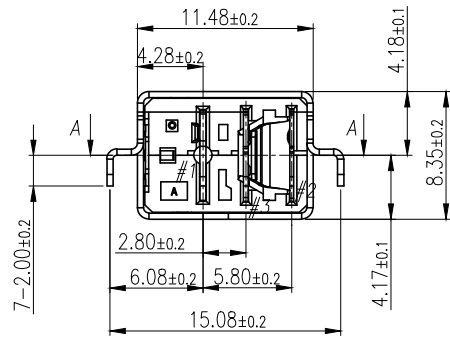
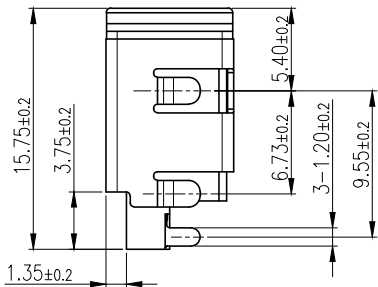
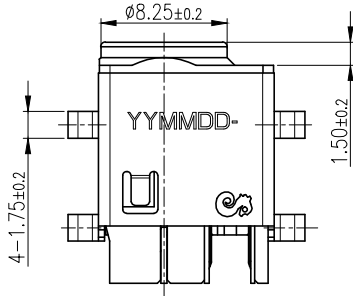
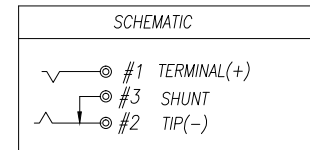
8

REV.	ECN NO OR DESCRIPTION	REVISED	DATE
A	PDR NO:T100525-3A	Sky	2010.09.25
B	ECN NO:S120210	ANDY	2012.02.10
C	ECN NO:S140116	SEAN	2014.07.25

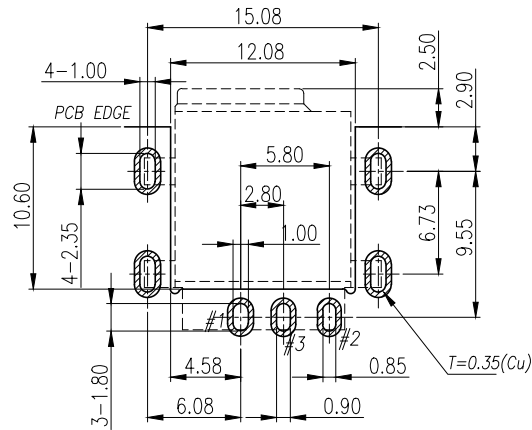
SPECIFICATIONS:

- ELECTRICAL CHARACTERISTICS:
  - 1-1. RATING: 20V 7A
  - 1-2. CONTACT RESISTANCE: 30mΩ MAX.(INITIAL)
  - 1-3. DIELECTRIC WITHSTANDING VOLTAGE: 500V AC FOR ONE MINUTE
  - 1-4. INSULATION RESISTANCE: 100MΩ MIN. MEASURED BY 500 VDC
- MECHANICAL CHARACTERISTICS:
  - 2-1. INSERTION FORCE :3.0 KG Max.
  - 2-2. WITHDRAWAL FORCE : 1.0~3.0 KG
- LIFE TEST: 5,000 CYCLES MIN.
- TO CONFORM TO SINGATRON HAZARDOUS SUBSTANE FREE SPEC.
- HALOGEN FREE PRODUCT IDENTIFICATION MARK ON JACK:
- HALOGEN FREE PRODUCT IDENTIFICATION LABEL ON PACKAGING:
- FOR REFLOW SOLDERING LEAD-FREE PROCESS.
- PRINTED DATE CODE "YYMMDD" ON TOP OF CONNECTOR.

DD: DAY  
MM: MONTH  
YY: YEAR



MATING PLUG  
TOLERANCE: ±0.10



RECOMMEND P.C.B LAYOUT  
TOP VIEW(TOLERANCES: ±0.05)

F	GROUND	1	STAINLESS STEEL; 0.20T	Ni 60u"
E	SHELL	1	BRASS; 0.4T	Ni 60u"
D	SHUNT	1	BRASS; 0.3T	GOLD FLASH ON CONTACT AREA; Sn 120u" ON SOLDER TAIL; ALL OVER Ni 60u"
C	TIP	1	COPPER ALLOY; 0.25T	GOLD FLASH ON CONTACT AREA; Sn 120u" ON SOLDER TAIL; ALL OVER Ni 60u"
B	TERMIANL	1	COPPER ALLOY; 0.4T	GOLD FLASH OVER Ni 60u"
A	BODY	1	HIGH THERMOPLASTIC TEMP. UL 94V-0	BLACK

UNLESS OTHERWISE SPECIFIED TOLERANCES		Singatron Enterprise Co., Ltd. 信音企業股份有限公司	
DECIMALS:	ANGLES:	TITLE	
X : ±0.1	X : ±2°	DC JACK	
X.X : ±0.1	X.X : ±1°	DWN	SEAN PART NO.2DC3006-001111
X.XX : ±0.1		CHKD	CERRY SCALE:4:1 UNIT: mm
		APVD	MAX SIZE: A3 SHEET:1 OF 1 REV: C
CUSTOMER COPY			