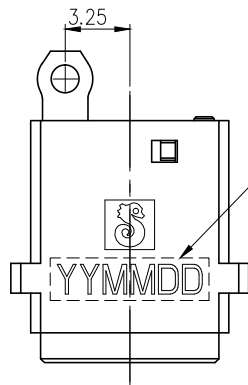
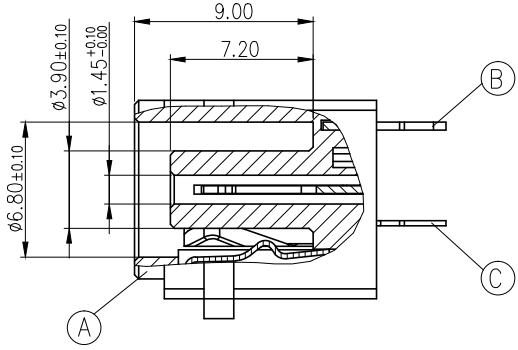


REV.	ECN NO OR DESCRIPTION	REVISED	DATE
A	PDR NO. T100820-7A	Eileen	2010.12.09
B	ECN NO. S170216-C	YUREN	2017.5.8
C	ECN NO. S170334-C	YUREN	2017.6.2

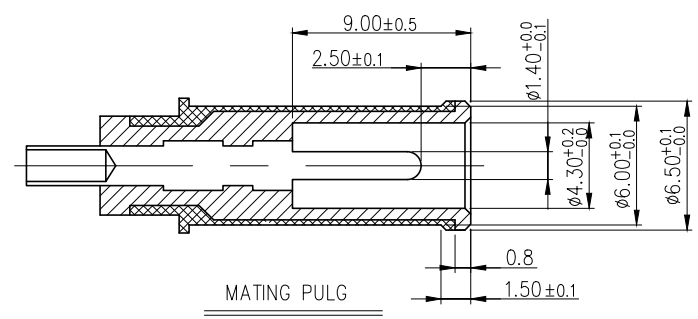
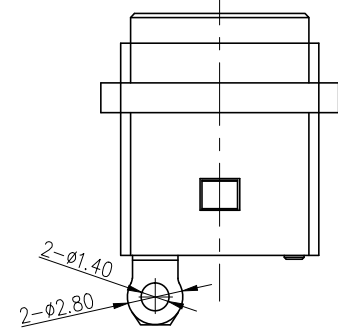
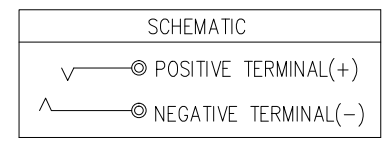
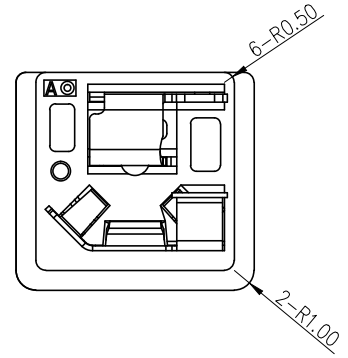
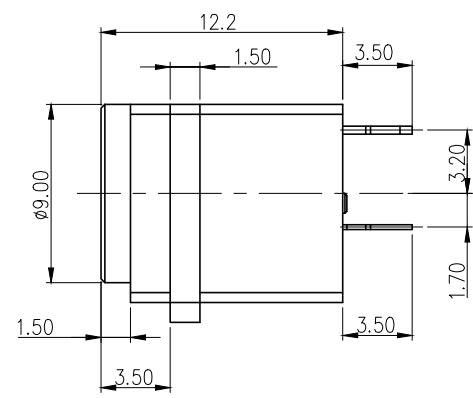
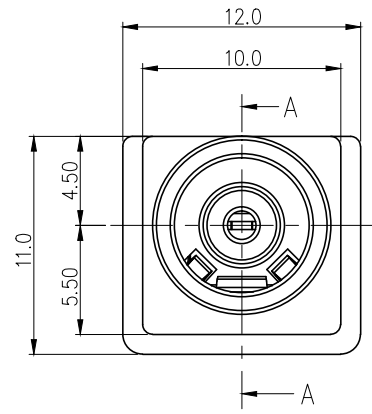


DATE CODE  
YY: YEAR  
MM: MONTH  
DD: DAY



SECTION A-A  
SCALE 1:1

- SPECIFICATIONS:
- ELECTRICAL CHARACTERISTICS:
    - RATING: DC 19.5V 8A MAX.
    - CONTACT RESISTANCE: 30mΩ MAX.(INITIAL)
    - DIELECTRIC WITHSTANDING VOLTAGE: 500V AC FOR ONE MINUTE.
    - INSULATION RESISTANCE: 100MΩ MIN. MEASURED BY 500V DC.
  - MECHANICAL CHARACTERISTICS:
    - INSERTION FORCE: 3~30N(0.3~3.0Kgf) △
    - WITHDRAWAL FORCE: 3~30N(0.3~3.0Kgf) △
  - LIFE TEST: 5000 CYCLES MIN.
  - OTHER GENERAL SPEC. TO REFER "2DC3009-001114 SERIES SPEC".
  - TO CONFORM TO SINGATRON HAZARDOUS SUBSTANCE FREE SPEC.
  - HALOGEN FREE PRODUCT IDENTIFICATION MARK ON JACK: Ⓢ
  - HALOGEN FREE PRODUCT IDENTIFICATION LABEL ON PACKAGING: Ⓢ



C	NEGATIVE TERMINAL(-)	1	COPPER ALLOY 0.25T	Au 5u"Min ON CONTACT AREA; Sn 100u" Min ON SOLDER TAIL; ALL OVER Ni 50u" Min.
B	POSITIVE TERMINAL(+)	1	COPPER ALLOY 0.40T	
A	BODY	1	PA66+25%GF UL94V-0,無鹵	BLACK
NO	DESCRIPTION	QTY	MATERIAL	PLATING & COLOR
UNLESS OTHERWISE SPECIFIED TOLERANCES		Singatron Enterprise Co., Ltd. 信音企業股份有限公司		
DECIMALS:		TITLE		
X	:±0.5	DC POWER JACK		
X.X	:±0.3	DWN	YUREN	PART NO. 2DC3009-001114
X.XX	:±0.2	CHKD	CERRY	SCALE: -- UNIT: mm
		APVD	LIAO	SIZE: A3 SHEET: 1 OF 1 REV: C
CUSTOMER COPY				