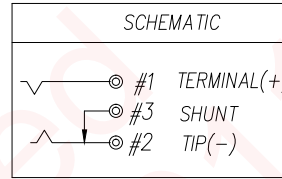
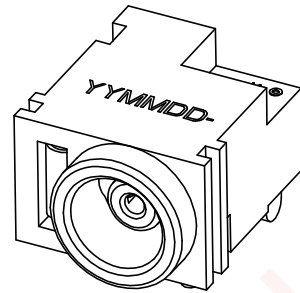
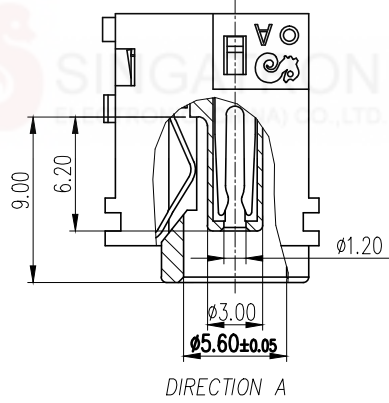


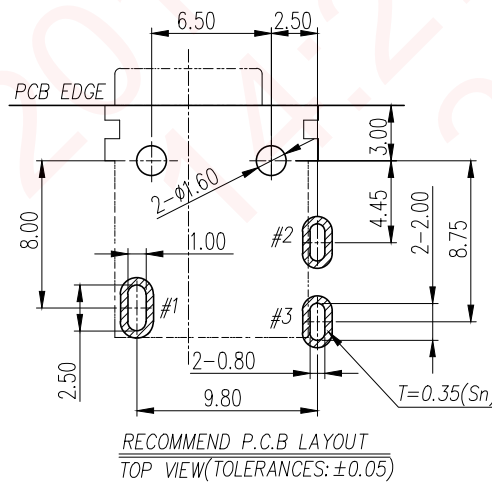
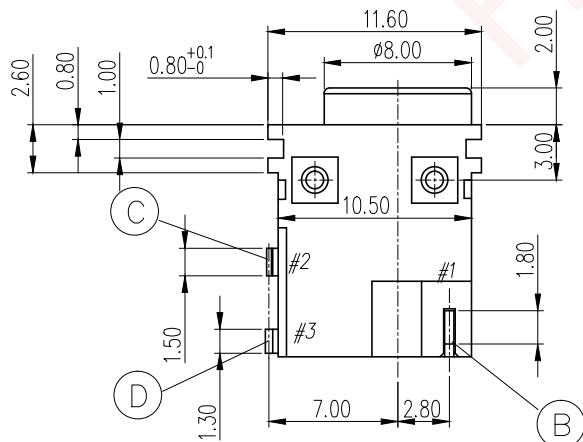
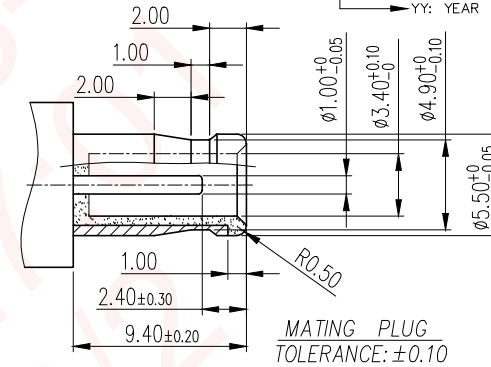
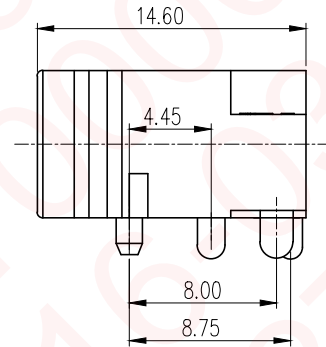
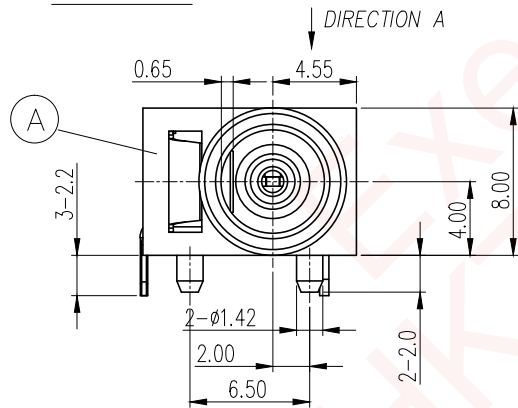
REV.	ECN NO OR DESCRIPTION	REVISED	DATE
A	ECN NO: S160220-C	YUREN	2016.02.25



**SPECIFICATIONS:**

- ELECTRICAL CHARACTERISTICS:**
  - 1-1. RATING: DC 20V 7A
  - 1-2. CONTACT RESISTANCE: 30mΩ MAX.(INITIAL)
  - 1-3. DIELECTRIC WITHSTANDING VOLTAGE: 500V AC FOR ONE MINUTE
  - 1-4. INSULATION RESISTANCE: 100MΩ MIN. MEASURED BY 500 VDC
- MECHANICAL CHARACTERISTICS:**
  - 2-1. INSERTION FORCE : 3.0 KG Max.
  - 2-2. WITHDRAWAL FORCE : 1.0~3.0 KG
- LIFE TEST: 5,000 CYCLES MIN.**
- TO CONFORM TO SINGATRON HAZARDOUS SUBSTANCE FREE SPEC.**
- HALOGEN FREE PRODUCT IDENTIFICATION MARK ON JACK:**
- HALOGEN FREE PRODUCT IDENTIFICATION LABEL ON PACKAGING:**
- FOR REFLOW SOLDERING LEAD-FREE PROCESS.**
- PRINTED DATE CODE "YYMMDD" ON TOP OF CONNECTOR.**

DD: DAY  
MM: MONTH  
YY: YEAR



D	SHUNT	1	BRASS; 0.4T	GOLD FLASH ON CONTACT AREA; Sn 120u" ON SOLDER TAIL; ALL OVER Ni 60u"
C	TIP	1	COPPER ALLOY; 0.25T	GOLD FLASH ON CONTACT AREA; Sn 120u" ON SOLDER TAIL; ALL OVER Ni 60u"
B	TERMIANL	1	COPPER ALLOY; 0.5T	GOLD FLASH ON CONTACT AREA; Sn 120u" ON SOLDER TAIL; ALL OVER Ni 60u"
A	BODY	1	HIGH THERMOPLASTIC TEMP. UL 94V-0	BLACK

UNLESS OTHERWISE SPECIFIED TOLERANCES		Singatron Enterprise Co., Ltd. 信音企業股份有限公司	
DECIMALS:	ANGLES:	TITLE DC POWER JACK	
X : ±0.5	X : ±2°	DWN	YUREN PART NO. 2DC3010-000112F
X.X : ±0.3	X.X : ±1°	CHKD	CERRY SCALE: 1:1 UNIT: mm
X.XX : ±0.2		APVD	LIAO SIZE: A3 SHEET: 1 OF 1 REV: A
<b>CUSTOMER COPY</b>			