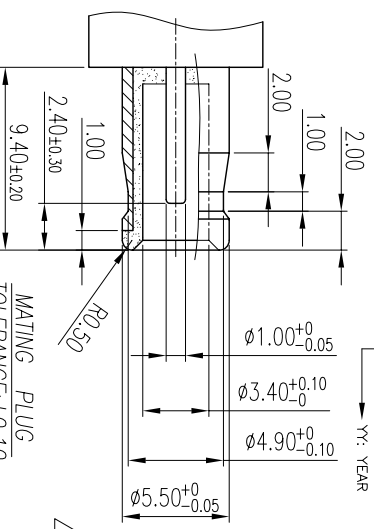
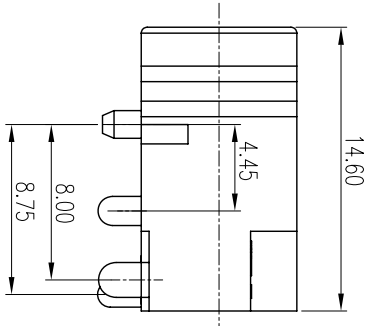
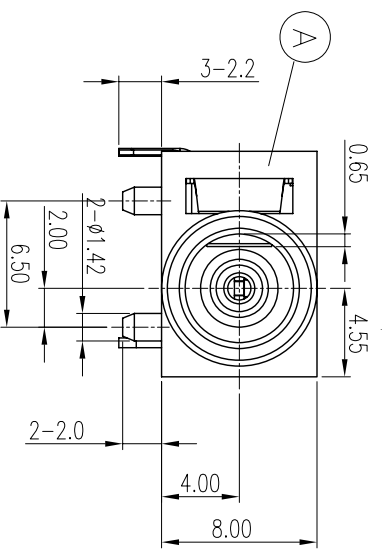


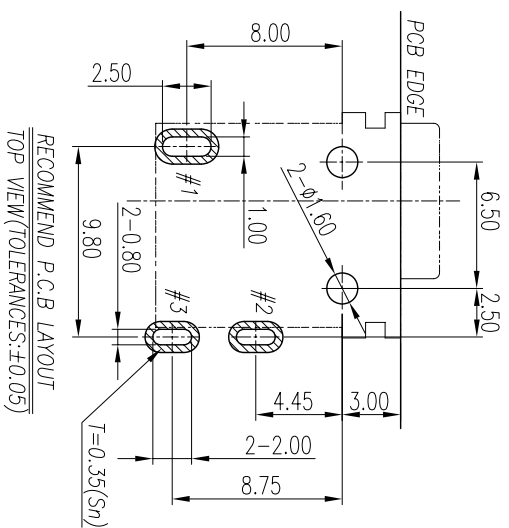
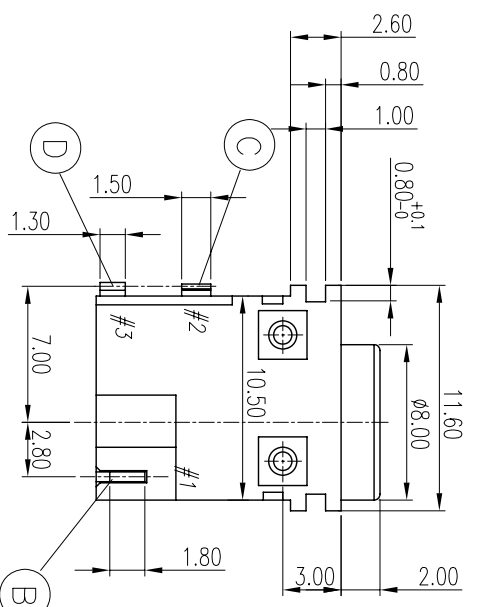
SPECIFICATIONS:

- ELECTRICAL CHARACTERISTICS:
 - RATING: DC 20V 7A
 - CONTACT RESISTANCE: $30m\Omega$ MAX.(INITIAL)
 - DIELECTRIC WITHSTANDING VOLTAGE: 500V AC FOR ONE MINUTE
 - INSULATION RESISTANCE: $100M\Omega$ MIN. MEASURED BY 500 VDC
- MECHANICAL CHARACTERISTICS:
 - INSERTION FORCE : 3.0 KG Max.
 - WITHDRAWAL FORCE : 1.0~3.0 KG
 - LIFE TEST: 5,000 CYCLES MIN.
 - TO CONFORM TO SINGATRON HAZARDOUS SUBSTANCE FREE SPEC.
 - HALOGEN FREE PRODUCT IDENTIFICATION MARK ON JACK:
 - HALOGEN FREE PRODUCT IDENTIFICATION LABEL ON PACKAGING:
 - FOR REFLOW SOLDERING LEAD-FREE PROCESS.
 - PRINTED DATE CODE "YMMDD" ON TOP OF CONNECTOR.



MATING PLUG TOLERANCE: ±0.10

2DC3010-000112F	TRAY
2DC3010-000111	TAPING REEL
P/N	PACKING



RECOMMEND. P.C.B. LAYOUT TOP VIEW(TOLERANCES:±0.05)

ITEM	DESCRIPTION	QUANTITY	UNIT	REMARKS
D	SHUNT	1	BRASS: 0.4T	GOLD FLUSH ON CONTACT AREA; Sn 120u" ON SOLDER TAIL; ALL OVER Ni 60u"
C	TIP	1	COPPER ALLOY; 0.25T	GOLD FLUSH ON CONTACT AREA; Sn 120u" ON SOLDER TAIL; ALL OVER Ni 60u"
B	TERMANIL	1	COPPER ALLOY; 0.5T	GOLD FLUSH ON CONTACT AREA; Sn 120u" ON SOLDER TAIL; ALL OVER Ni 60u"
A	BODY	1	BLACK	HIGH THERMOPLASTIC TEMP. UL 94V-0

UNLESS OTHERWISE SPECIFIED TOLERANCES:
 Singatron Enterprise Co., Ltd.
 信音企業股份有限公司
 DC POWER JACK

DECIMALS:	ANGLES:	TITLE	DC POWER JACK
X : ±0.5	X : ±1.2°	DWN Summer	PART NO. 2DC3010-00011XX
X.X : ±0.3	X.X : ±1°	CHKD Sky	SCALE: 1:1
X.XX : ±0.2		APVD Lussen	UNIT: mm
			SIZE: A3
			SHEET: 1 OF 1
			REV: C

CUSTOMER COPY