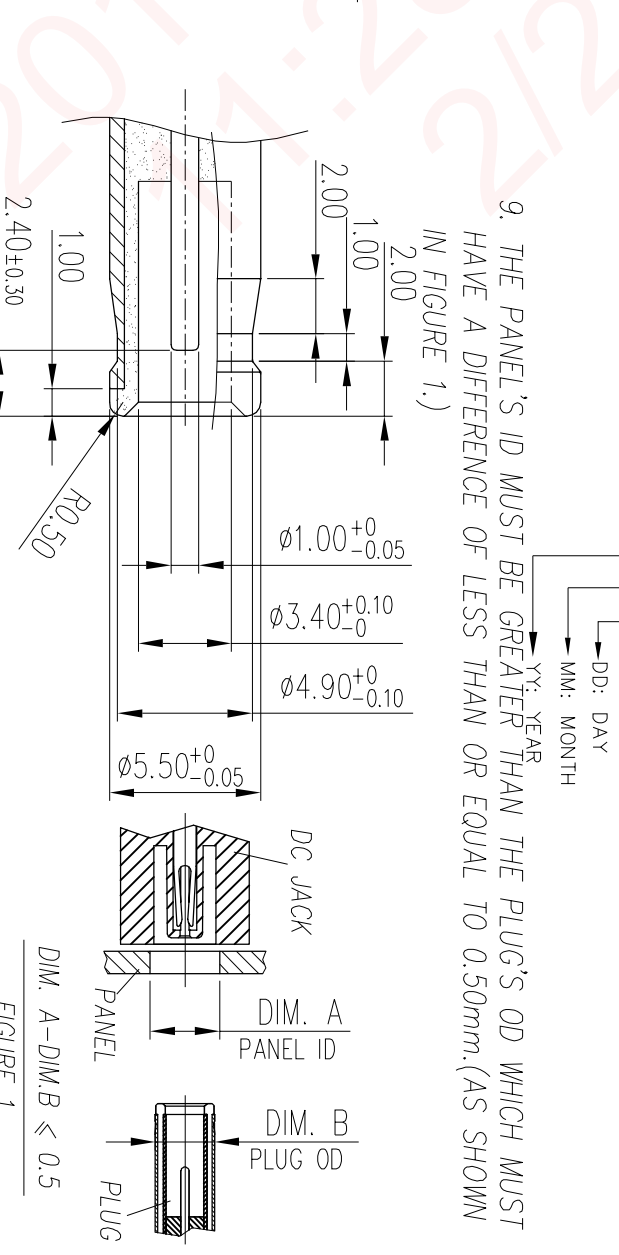
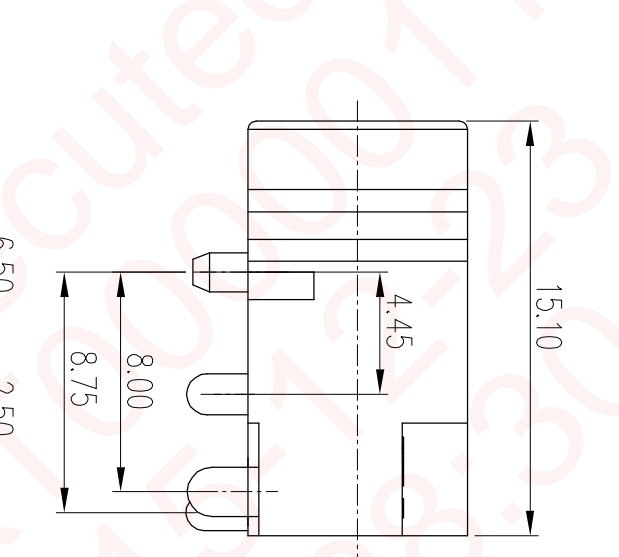
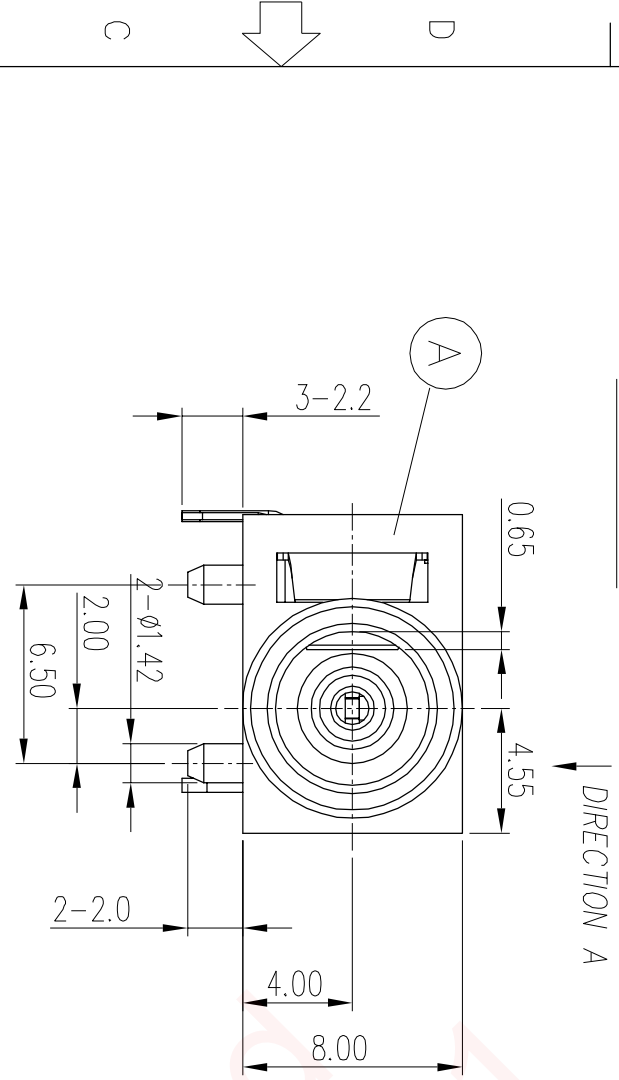
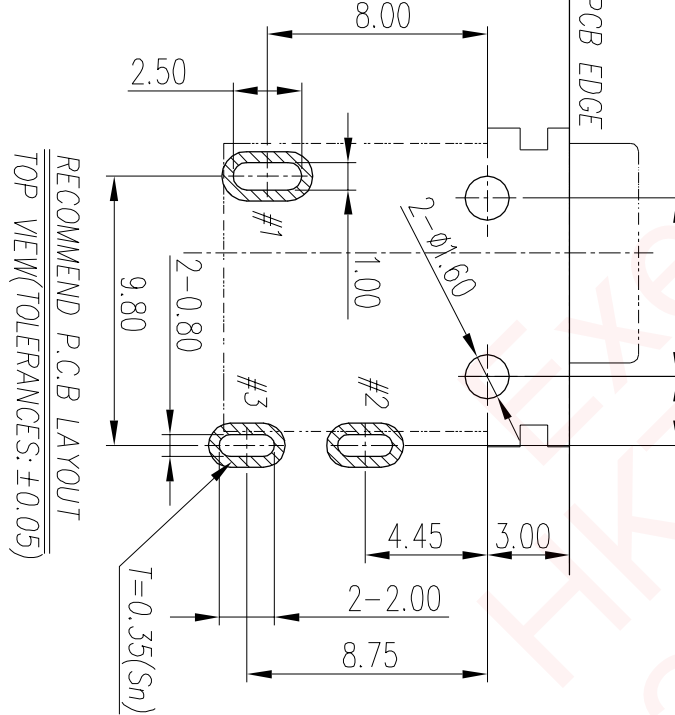
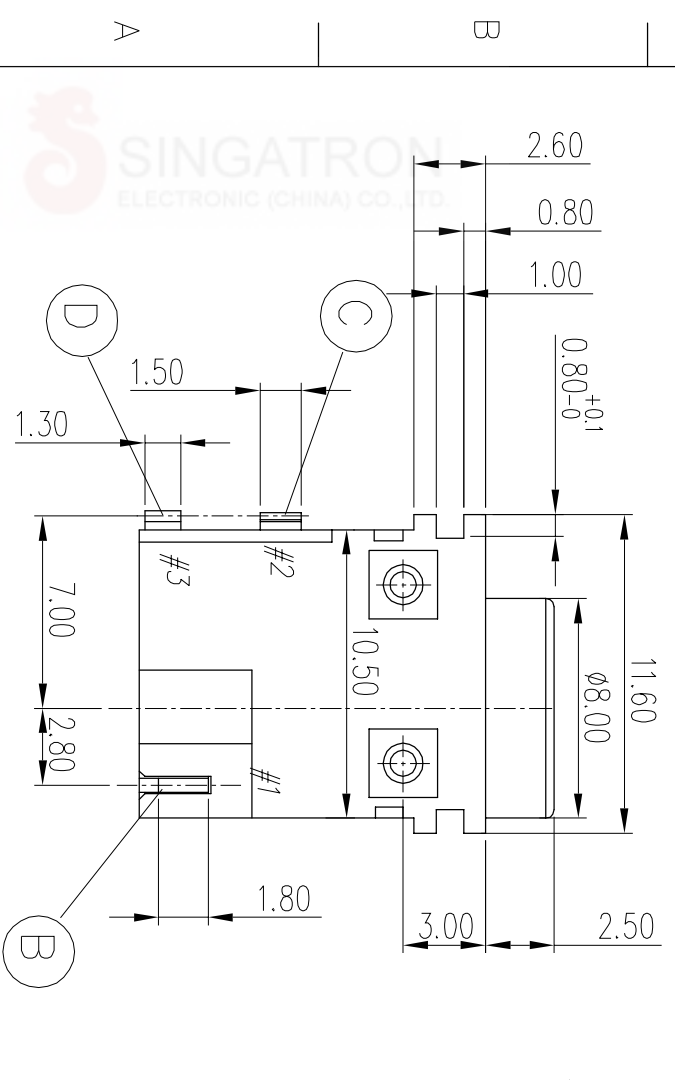


- SPECIFICATIONS:
- ELECTRICAL CHARACTERISTICS:
 - RATING: DC 20V 7A
 - CONTACT RESISTANCE: 30mΩ MAX.(INITIAL)
 - DIELECTRIC WITHSTANDING VOLTAGE: 500V AC FOR ONE MINUTE
 - INSULATION RESISTANCE: 100MΩ/MIN. MEASURED BY 500 VDC
 - MECHANICAL CHARACTERISTICS:
 - INSERTION FORCE : 3.0 KG Max.
 - WITHDRAWAL FORCE : 1.0~3.0 KG
 - LIFE TEST: 5,000 CYCLES MIN.
 - TO CONFORM TO SINGATRON HAZARDOUS SUBSTANCE FREE SPEC.
 - HALOGEN FREE PRODUCT IDENTIFICATION MARK ON JACK
 - HALOGEN FREE PRODUCT IDENTIFICATION LABEL ON PACKAGING
 - FOR REFLOW SOLDERING LEAD-FREE PROCESS.
 - PRINTED DATE CODE "YMMDD-" ON TOP OF CONNECTOR.
 - THE PANEL'S ID MUST BE GREATER THAN THE PLUG'S OD WHICH MUST HAVE A DIFFERENCE OF LESS THAN OR EQUAL TO 0.50mm.(AS SHOWN IN FIGURE 1.)



MATING PLUG
TOLERANCE: ±0.10

DIM. A-DIM.B ≤ 0.5
FIGURE 1



REV.	ECN NO OR DESCRIPTION	REVISED	DATE
A	PDR NO: T150709-5A	Jun	2015.11.10

DECIMALS:	ANGLES:
X : ±0.5	X : ±2°
X.X : ±0.3	X.X : ±1°
X.XX : ±0.2	

D	SHUNT	1	BRASS: 0.4T	GOLD FLASH ON CONTACT AREA; Sn 120u" ON SOLDER TAIL; ALL OVER Ni 60u"
C	TIP	1	COPPER ALLOY: 0.25T	GOLD FLASH ON CONTACT AREA; Sn 120u" ON SOLDER TAIL; ALL OVER Ni 60u"
B	TERMINAL	1	COPPER ALLOY: 0.5T	GOLD FLASH ON CONTACT AREA; Sn 120u" ON SOLDER TAIL; ALL OVER Ni 60u"
A	BODY	1	HIGH THERMOPLASTIC TEMP. UL 94V-0	BLACK

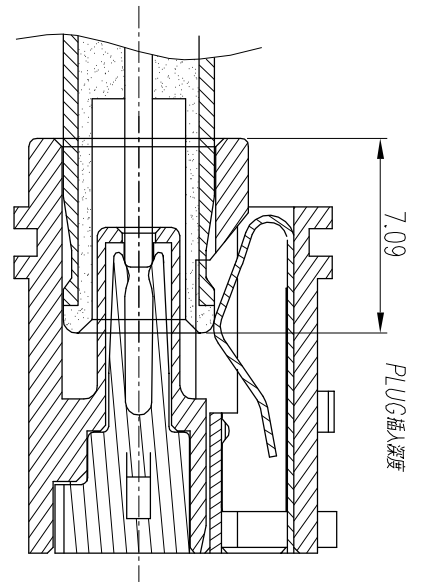
TITLE	DC POWER JACK
DWN	Jun
CHKD	Sky
APVD	Lussen

CUSTOMER COPY

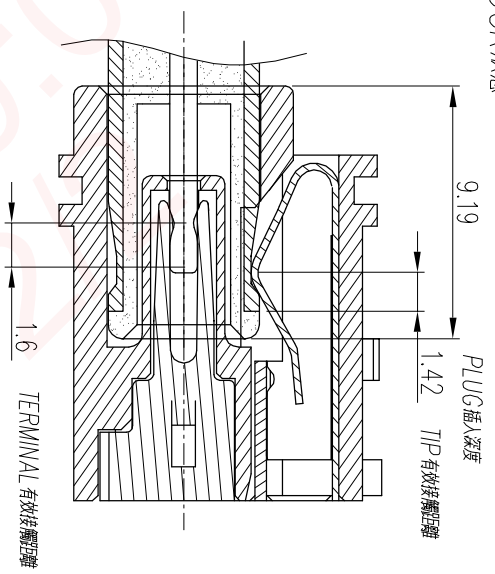
Singatron Enterprise Co., Ltd.
信音企業股份有限公司

REV.	ECN NO OR DESCRIPTION	REVISED	DATE
A	PDR NO: 1150709-5A	Jun	2015.11.10

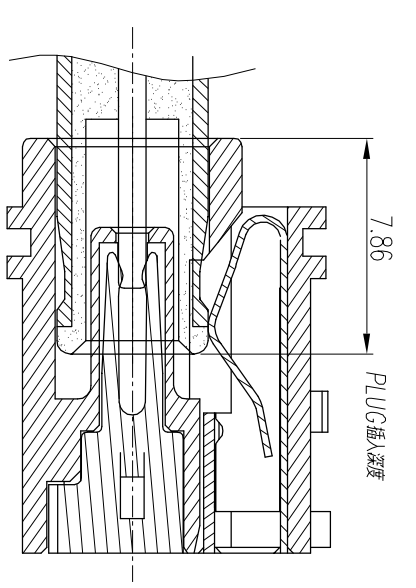
1. TERMINAL 正極先接觸狀態



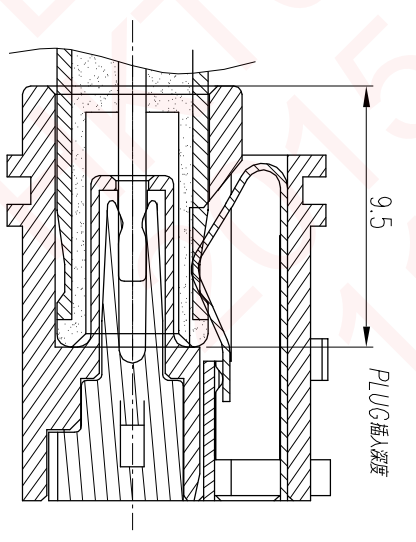
3. LOCK 狀態



2. TIP 負極接觸狀態



4. PLUG FULL MATING 狀態



NO	DESCRIPTION	QTY	MATERIAL	PLATING & COLOR
	UNLESS OTHERWISE SPECIFIED TOLERANCES		Singatron Enterprise Co., Ltd. 信音企業股份有限公司	
DECIMALS:		ANGLES:		
X	: ±0.5	X	: ±2°	
X.X	: ±0.3	X.X	: ±1°	
X.XX	: ±0.2			
TITLE		MATING DRAWING		
DWN	Jun	PART NO. 2DC3010-002111F		
CHKD	Sky	SCALE	4:1	UNIT: mm
APVD	Lussen	SIZE: A3	SHEET: 2 OF 2	REV: A

CUSTOMER COPY