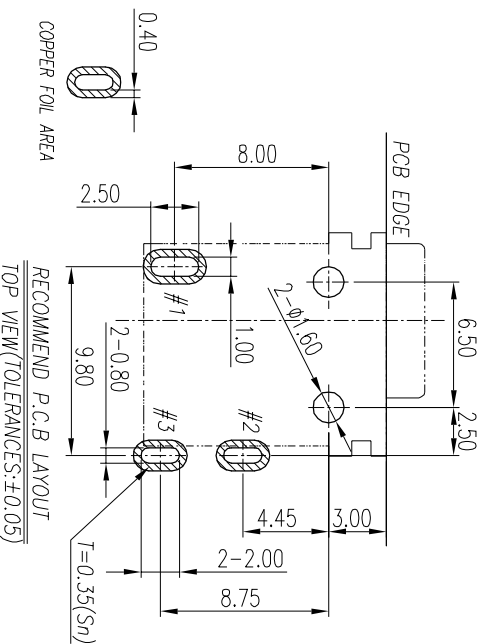
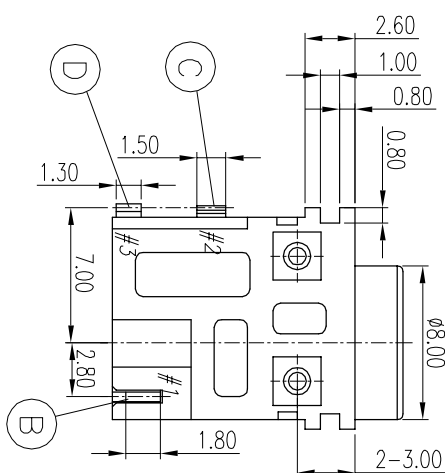
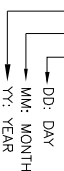
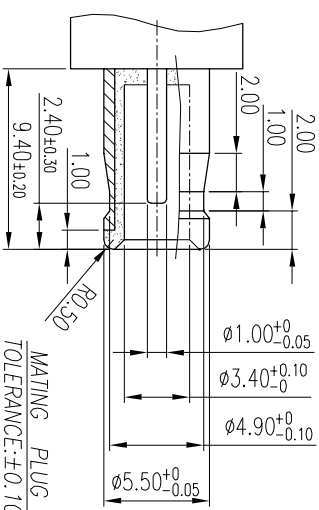
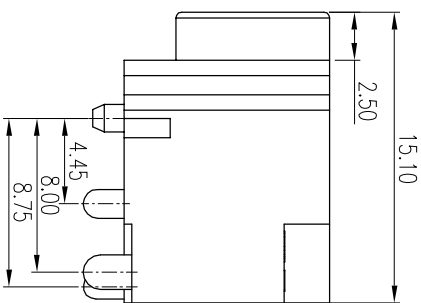
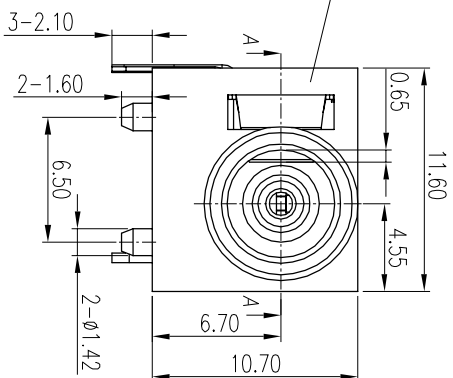


SPECIFICATIONS:

- 1. ELECTRICAL CHARACTERISTICS:**
- 1-1. RATING: DC 20V 5A
 - 1-2. CONTACT RESISTANCE: $30m\Omega$ MAX.
 - 1-3. DIELECTRIC WITHSTANDING VOLTAGE: 500V AC FOR ONE MINUTE
 - 1-4. INSULATION RESISTANCE: $100M\Omega$ MIN. MEASURED BY 500 VDC
- 2. MECHANICAL CHARACTERISTICS:**
- 2-1. INSERTION FORCE : $3.0kgf$ Max.
 - 2-2. WITHDRAWAL FORCE : $0.3kgf$ Min.
- 3. LIFE TEST: 5,000 CYCLES MIN.
 - 4. TO CONFORM TO SINGATRON HAZARDOUS SUBSTANCE FREE SPEC.
 - 5. HALOGEN FREE PRODUCT IDENTIFICATION MARK ON JACK:
 - 6. HALOGEN FREE PRODUCT IDENTIFICATION LABEL ON PACKAGING:
 - 7. FOR REFLOW SOLDERING LEAD-FREE PROCESS.
 - 8. OPERATING TEMPERATURE: $-25^{\circ}C \pm 2^{\circ}C$ TO $+85^{\circ}C \pm 2^{\circ}C$
 - 9. PRINTED DATE CODE "YIMMO" ON TOP OF CONNECTOR.



D	SHUNT	1	BRASS: 0.4T	GOLD FLASH ON CONTACT AREA, Sn 120μ" ON SOLDER TAIL; ALL OVER IN 80μ"
C	TIP(-)	1	COPPER ALLOY: 0.25T	GOLD FLASH ON CONTACT AREA, Sn 120μ" ON SOLDER TAIL; ALL OVER IN 80μ"
B	TERMAN(+)	1	COPPER ALLOY: 0.5T	GOLD FLASH ON CONTACT AREA, Sn 120μ" ON SOLDER TAIL; ALL OVER IN 80μ"
A	BODY	1	HIGH THERMOPLASTIC TEMP: UL 94V-0	BLACK

UNLESS OTHERWISE SPECIFIED TOLERANCES

DECIMALS: ANGLES:

X : ± 0.50 X : $\pm 2^{\circ}$
 XX : ± 0.38 X.X : $\pm 1^{\circ}$
 X.XX : ± 0.25

TITLE: DC POWER JACK

DWN Zhijun PART NO. 2DC3010-003111F
 CHKD Sky SCALE: 1:1 UNIT: mm
 APVD Lussen SIZE: A3 SHEET: 1 OF 2 REV: A

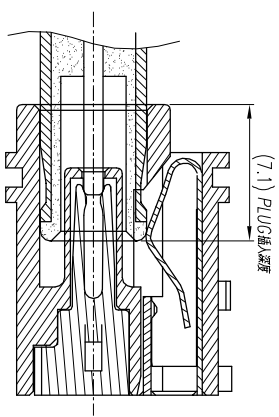
Singatron Enterprise Co., Ltd.
 信晉企業股份有限公司

CUSTOMER COPY

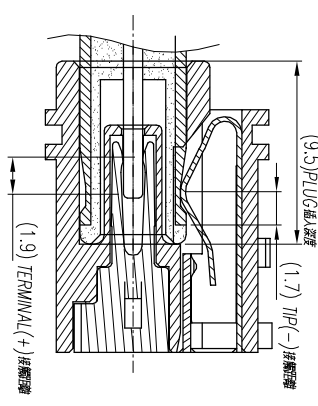
REV.	EGN NO OR DESCRIPTION	REVISED	DATE
A	PDR NO: T161024-2A	Zhijun	2018.01.18

REV.	EGN NO.	OR DESCRIPTION	REVISED	DATE
A	PDR NO:1161024-2A	Zhijun	2018.01.18	

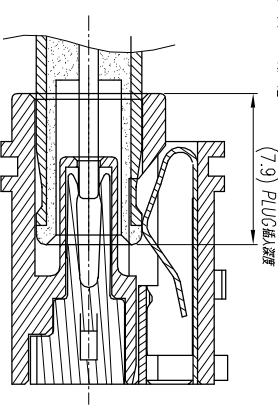
1. TERMINAL 正極先接觸狀態



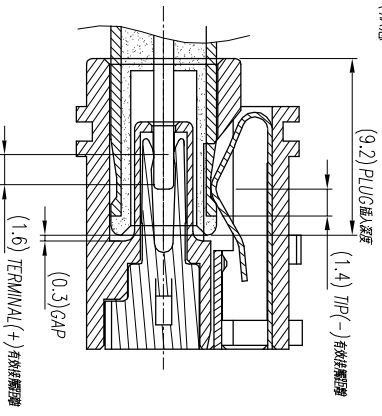
4. PLUG FULL MATING 狀態



2. TP 負極接觸狀態



3. LOCK 狀態



NO	DESCRIPTION	QTY	MATERIAL	PLATING & COLOR
UNLESS OTHERWISE SPECIFIED TOLERANCES				
Singatron Enterprise Co., Ltd. 信晉企業股份有限公司				
TITLE: MATING DRAWING				
DWN	Zhijun	PART NO.2DC3010-003111F		
CHKD	Sky	SCALE 4:1	UNIT: mm	
APVD	Lussen	SIZE: A3	SHEET: 2 OF 2	REV: A

CUSTOMER COPY