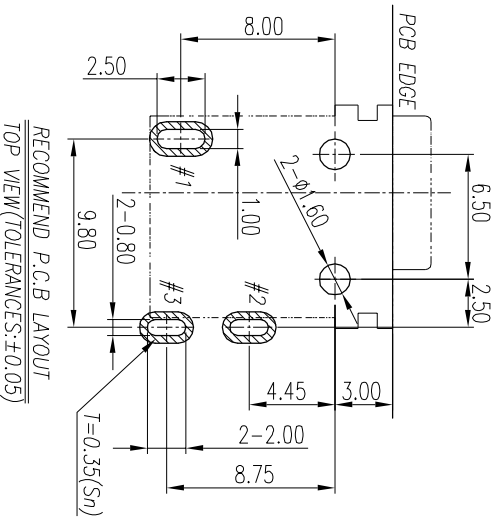
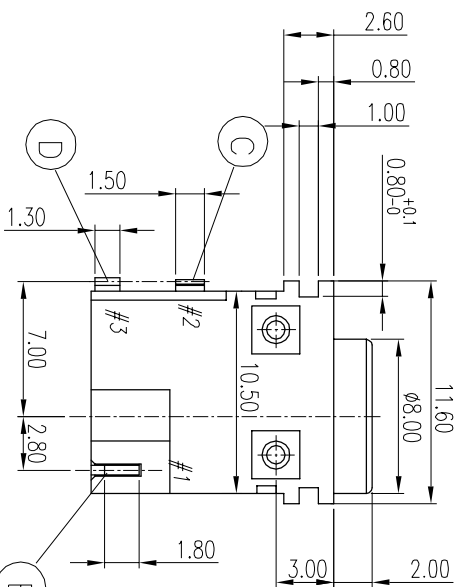


MATING PLUG  
TOLERANCE: ±0.10

ZDC3010-007171 TAPING REEL  
料號 包裝方式



REV.	EGN NO OR DESCRIPTION	REVISED	DATE
A	PDR NO:C171109-10A	Zhijun	2018.02.08

- SPECIFICATIONS:
- ELECTRICAL CHARACTERISTICS:
    - RATING: DC 20V 7A
    - CONTACT RESISTANCE: 30mΩ MAX.(INITIAL)
    - DIELECTRIC WITHSTANDING VOLTAGE: 500V AC FOR ONE MINUTE
    - INSULATION RESISTANCE: 100MΩ MIN. MEASURED BY 500 VDC
  - MECHANICAL CHARACTERISTICS:
    - INSERTION FORCE :3.0 KG Max.
    - WITHDRAWAL FORCE : 1.0~3.0 KG
    - LIFE TEST: 5,000 CYCLES MIN.
    - TO CONFORM TO SINGATRON HAZARDOUS SUBSTANCE FREE SPEC.
    - PEAK TEMP:260°C; REFLOW SOLDERING CONDITION AND OTHER SPEC REFER TO ZDC3010-007171F SPEC.
    - HALOGEN FREE PRODUCT IDENTIFICATION MARK ON JACK: Ⓢ
    - HALOGEN FREE PRODUCT IDENTIFICATION LABEL ON PACKAGING: Ⓢ
    - FOR REFLOW SOLDERING LEAD-FREE PROCESS.
    - PRINTED DATE CODE "YIMMO" ON TOP OF CONNECTOR.

DD: DAY  
MM: MONTH  
YY: YEAR

ITEM	DESCRIPTION	QTY	UNIT	REMARKS
D	SHUNT	1	C2680; 0.41	GOLD FLASH ON CONTACT AREA; Sn 120μ" ON SOLDER TAIL; ALL OVER IN 60μ"
C	TIP	1	C5210; 0.25T	GOLD FLASH ON CONTACT AREA; Sn 120μ" ON SOLDER TAIL; ALL OVER IN 60μ"
B	TERMINAL	1	C5210; 0.5T	GOLD FLASH ON CONTACT AREA; Sn 120μ" ON SOLDER TAIL; ALL OVER IN 60μ"
A	BODY	1	PA9T UL94V-0	WHITE

UNLESS OTHERWISE SPECIFIED TOLERANCES

Singatron Enterprise Co., Ltd.  
信晉企業股份有限公司

TITLE DC POWER JACK

DECIMALS:	ANGLES:
X :±0.5	X :±2°
XX :±0.3	X.X :±1°
X.XX :±0.2	

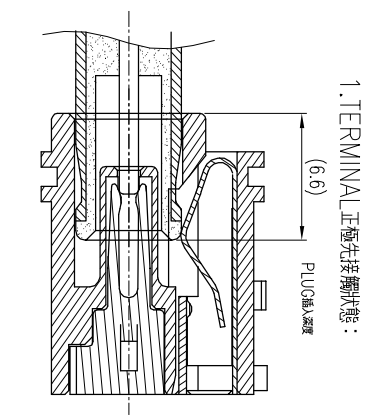
CHKD	SKY	SCALE: 1:1	UNIT: mm	REV: A
APVD	Lussen	SIZE: A3	SHEET: 1 OF 2	REV: A

PART NO: ZDC3010-007171F

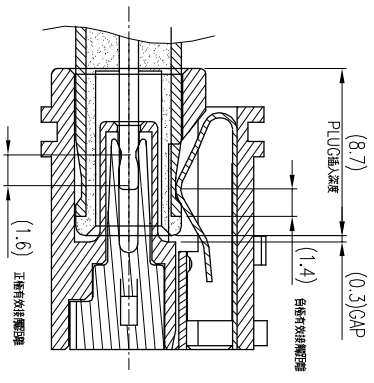
CUSTOMER COPY

REV.	EGN NO	OR DESCRIPTION	REVISED	DATE
A	PDR NO:C171109-10A		Zhijun	2018.02.08

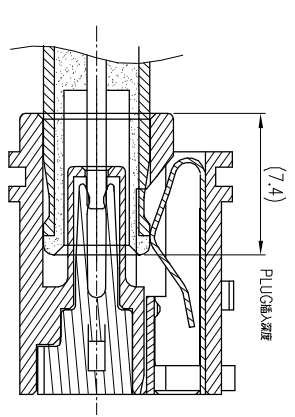
3.LOCK狀態：



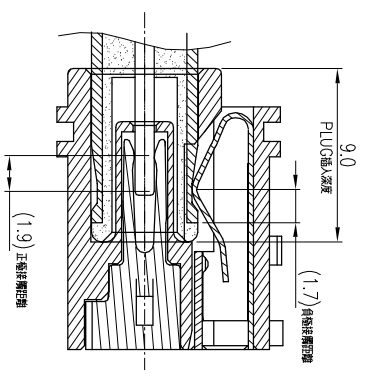
1. TERMINAL 正極先接觸狀態：



2.TIP負極接觸狀態：



4.PLUG FULL MATING狀態：



NO	DESCRIPTION	QTY	MATERIAL	PLATING & COLOR
UNLESS OTHERWISE SPECIFIED TOLERANCES				
Singatron Enterprise Co., Ltd. 信晉企業股份有限公司				
TITLE MATING DRAWING				
DWN	X	±0.5	X	±2°
CHKD	XX	±0.3	X.X	±1°
APVD	XX	±0.2		
CUSTOMER COPY				