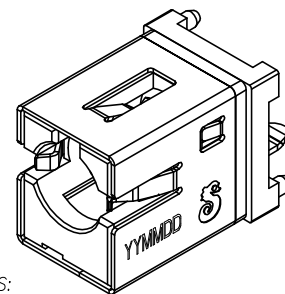


REV.	ECN NO OR DESCRIPTION	REVISED	DATE
A	PDR NO:T100803-8A	QIANG	2010.12.15
B	ECN NO:S110323	SPRING	2011.07.26
C	ECN NO:S141151/S141251	Ken	2014.1.27
D	ECN NO:S150633-C	YUREN	2015.08.06



SPECIFICATIONS:

1. ELECTRICAL CHARACTERISTICS:

- 1-1. RATING: 20V 11A
- 1-2. CONTACT RESISTANCE: 30mΩ MAX.(INITIAL)
- 1-3. DIELECTRIC WITHSTANDING VOLTAGE: 500V AC FOR ONE MINUTE
- 1-4. INSULATION RESISTANCE: 100MΩ MIN. MEASURED BY 500 VDC

2. MECHANICAL CHARACTERISTICS:

- 2-1. INSERTION FORCE :3.0 Kgf Max.
- 2-2. WITHDRAWAL FORCE : 0.3~3.0 Kgf

3. LIFE TEST: 5,000 CYCLES MIN.

4. TO CONFORM TO SINGATRON HAZARDOUS SUBSTANCE FREE SPEC.

5. HALOGEN FREE PRODUCT IDENTIFICATION MARK ON JACK:

6. HALOGEN FREE PRODUCT IDENTIFICATION LABEL ON PACKAGING:

7. FOR WAVE SOLDERING LEAD-FREE PROCESS.

8. PRINTED DATE CODE "YYMMDD" ON TOP OF CONNECTOR.

DD: DAY
 MM: MONTH
 YY: YEAR

NO	DESCRIPTION	QTY	MATERIAL	PLATING & COLOR
G	SHELL	1	STAINLESS ,0.3T	N/A
F	PIN	1	BRASS	Ni 60u"Min.
E	TIP	1	COPPER ALLOY;0.30T	GOLD FLASH ON CONTACT AREA;
D	SHUNT	1	BRASS; 0.40T	Sn 120u" ON SOLDER TAIL; ALL OVER Ni 50u"
C	TERMINAL	1	BRASS; 0.30T	Ag 20u" OVER Ni 20u"Min.
B	COVER	1	HIGH TEMP Plastic. UL94V-0	BLACK
A	BODY	1	HIGH TEMP Plastic. UL94V-0	BLACK

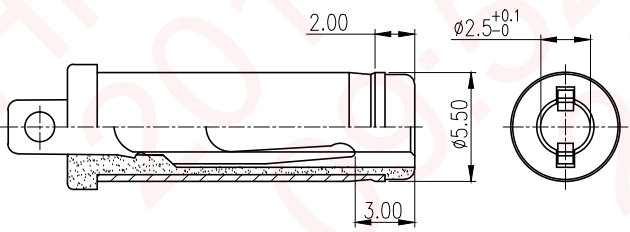
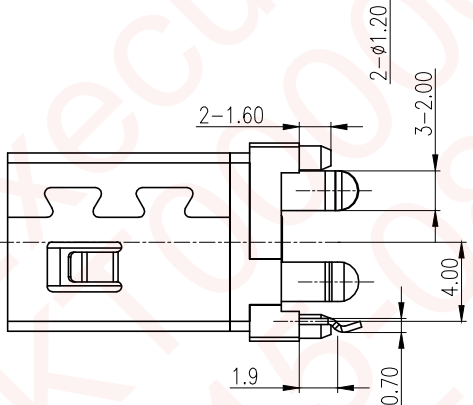
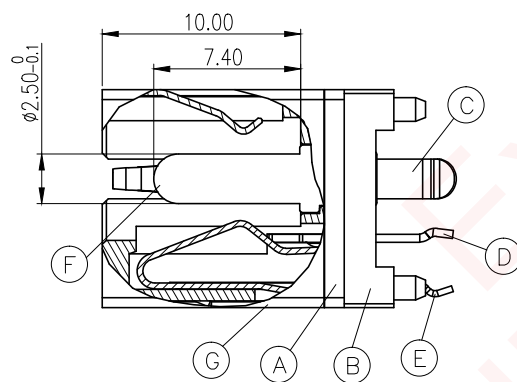
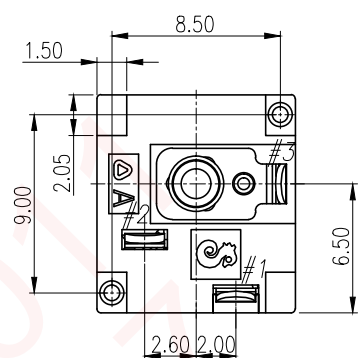
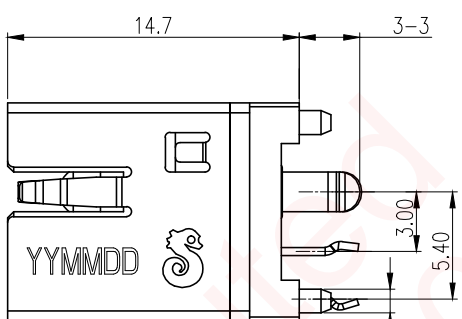
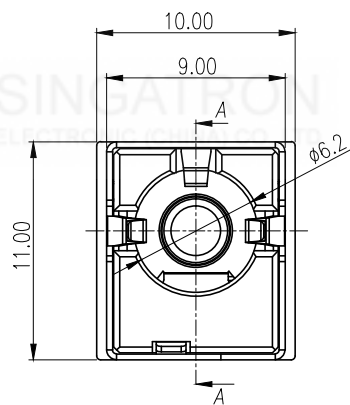
UNLESS OTHERWISE SPECIFIED TOLERANCES

Singatron Enterprise Co., Ltd.
 信音企業股份有限公司

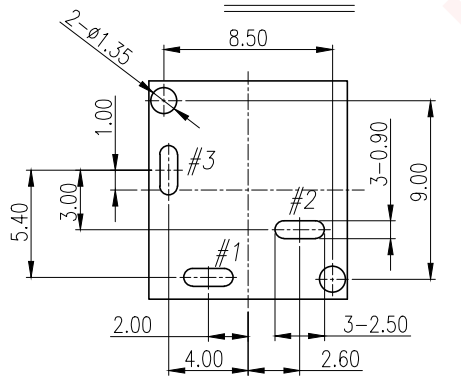
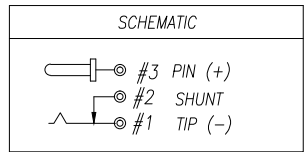
DECIMALS: X :±0.5
 X.X :±0.30
 X.XX :±0.20
 ANGLES: X :±2°
 X.X :±1°

TITLE	DC JACK		
DWN	YUREN	PART NO.2DC3012-000112	
CHKD	CERRY	SCALE:4:1	UNIT: mm
APVD	LIAO	SIZE: A3	SHEET:1 OF 1
REV:D			

CUSTOMER COPY



MATING PLUG Ø5.50



RECOMMEND P.C.B LAYOUT
TOP VIEW(TOLERANCES:±0.05) T=1.6mm