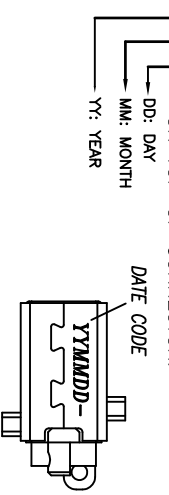
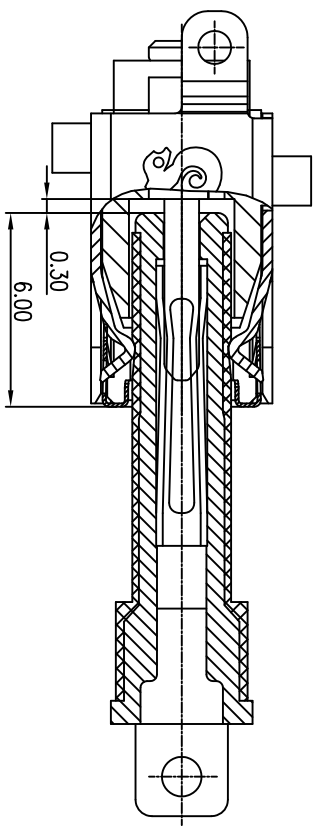
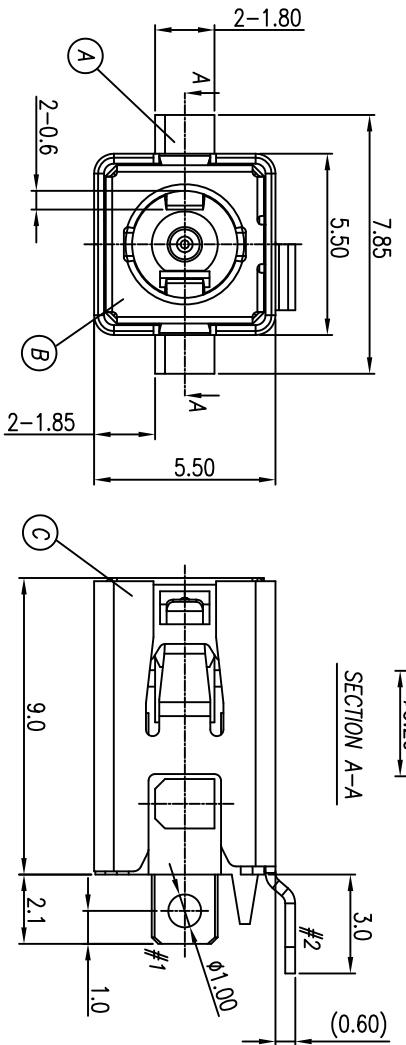
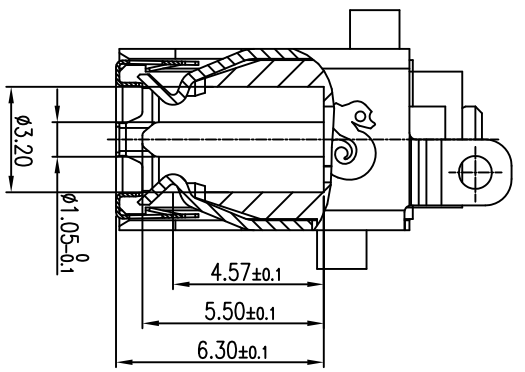
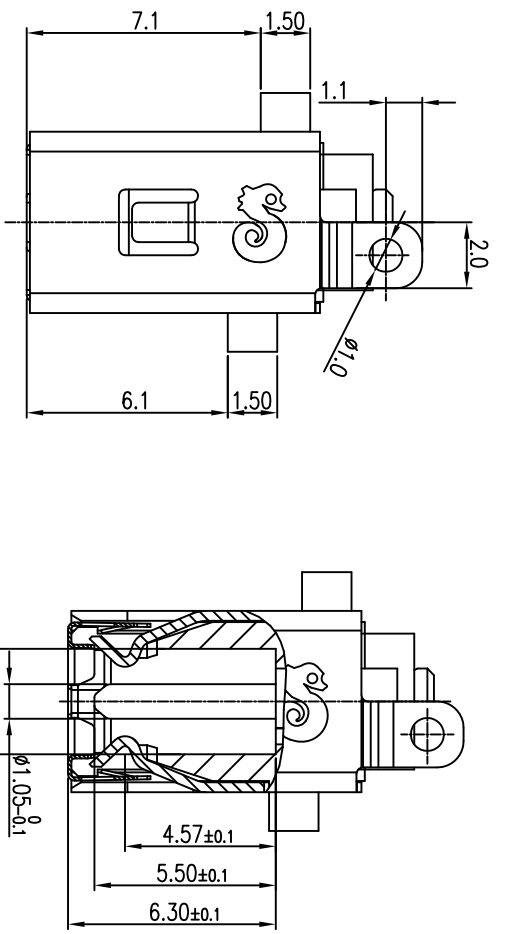
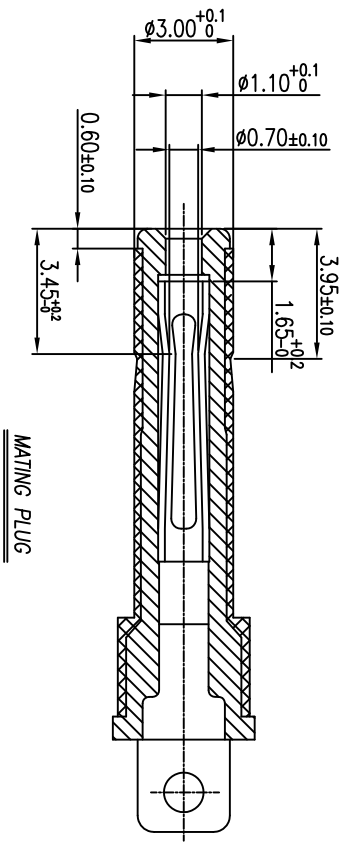


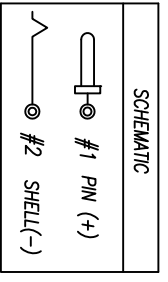
REV/ECN NO OR DESCRIPTION	REVISED	DATE
A PDR NO:T100806-3A	Sky	2011.01.26



- SPECIFICATIONS:**
- ELECTRICAL CHARACTERISTICS:
 - RATING: 15V 3A
 - CONTACT RESISTANCE: 20mΩ (INITIAL), 30mΩ (AFTER LIFE TEST)
 - DIELECTRIC WITHSTANDING VOLTAGE: 500V AC FOR ONE MINUTE
 - INSULATION RESISTANCE: 100MΩ MIN. MEASURED BY 500 VDC
 - MECHANICAL CHARACTERISTICS:
 - INSERTION FORCE : 0.4~2.0 KG(INITIAL); 0.3~2.0KG(AFTER LIFE TEST);
 - WITHDRAWAL FORCE : 0.3~2.0KG.
 - LIFE TEST: 10,000 CYCLES MIN.
 - TO CONFORM TO SINGATRON HAZARDOUS SUBSTANCE FREE SPEC.
 - HALOGEN FREE PRODUCT IDENTIFICATION MARK ON JACK:
 - HALOGEN FREE PRODUCT IDENTIFICATION LABEL ON PACKAGING:
 - FOR HAND SOLDERING LEAD-FREE PROCESS.
 - PRINTED DATE CODE" **YYMMDD-**" ON TOP OF CONNECTOR.



MATING PLUG



C	SHELL	1	COPPER ALLOY 0.30T	GOLD FLASH OVER NI 50U"
B	GROUND	1	STAINLESS STEEL 0.10T	N/A
A	INSERT MOLDING	1	PIN: COPPER ALLOY BODY:THERMOPLASTIC TEMP. UL 94V-0	GOLD FLASH OVER NI 50U" BLACK

UNLESS OTHERWISE SPECIFIED TOLERANCES

DECIMALS:	ANGLES:
X : ±0.5	X : ±2°
X.X : ±0.3	X.X : ±1'
X.XX : ±0.2	

TITLE: DC JACK

PART NO. 2DC3022-000114

SCALE: 4:1

UNIT: mm

SHEET: 1 OF 1

REV: A

Singatron Enterprise Co., Ltd.
信音企業股份有限公司

APVD Quan

CUSTOMER COPY

