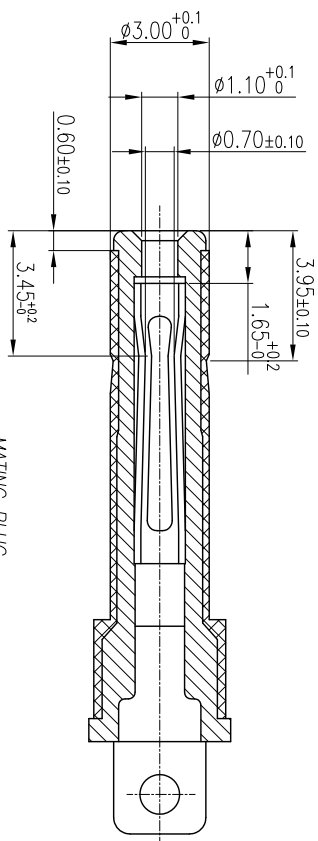
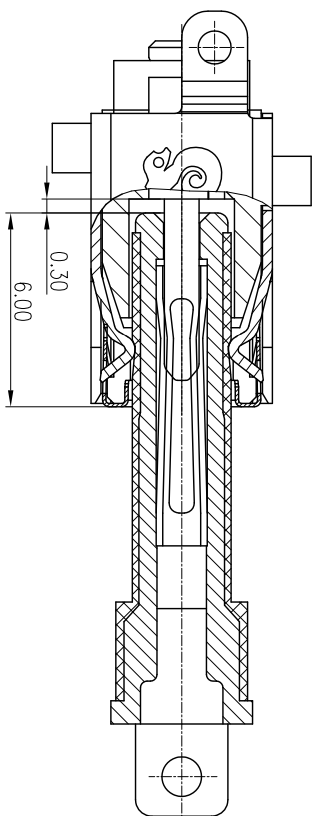
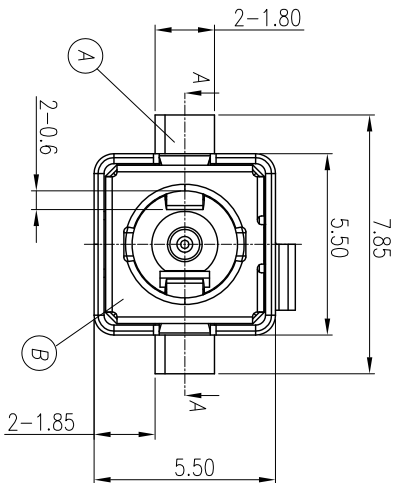
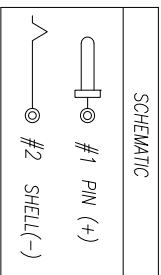


SECTION A-A

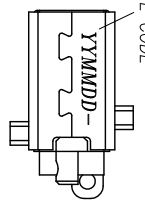
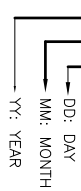


MATING PLUG



SPECIFICATIONS:

- ELECTRICAL CHARACTERISTICS:
 - RATING: 20V 4A
 - CONTACT RESISTANCE: 20mΩ (INITIAL), 30mΩ (AFTER LIFE TEST)
 - DIELECTRIC WITHSTANDING VOLTAGE: 500V AC FOR ONE MINUTE
 - INSULATION RESISTANCE: 100MΩ MIN. MEASURED BY 500 VDC
- MECHANICAL CHARACTERISTICS:
 - INSERTION FORCE : 0.4~2.0 KG(INITIAL), 0.3~2.0KG(AFTER LIFE TEST);
 - WITHDRAWAL FORCE : 0.3~2.0KG.
 - LIFE TEST: 10,000 CYCLES MIN.
 - TO CONFORM TO SINGATRON HAZARDOUS SUBSTANCE FREE SPEC.
 - HALOGEN FREE PRODUCT IDENTIFICATION MARK ON JACK:
 - HALOGEN FREE PRODUCT IDENTIFICATION LABEL ON PACKAGING:
 - FOR HAND SOLDERING LEAD-FREE PROCESS.
 - PRINTED DATE CODE" **YYMMDD**-" ON TOP OF CONNECTOR.



REV.	ECN NO.	OR DESCRIPTION	REVISED	DATE
A	PDR NO:T110517-4A		Eileen	2011.06.28
B	ECN NO:S111033		Springkong	2011.11.17

C	SHELL	1	COPPER ALLOY 0.30T	Ni 60u" Min
B	GROUND	1	STAINLESS STEEL 0.10T	N/A
A	INSERT MOLDING	1	PIN: COPPER ALLOY	GOLD FLASH OVER Ni 50u"
		1	BODY:THERMOPLASTIC TEMP. UL 94V-0	BLACK
UNLESS OTHERWISE SPECIFIED TOLERANCES				
Singatron Enterprise Co., Ltd. 信音企業股份有限公司				
DC JACK				
TITLE		PART NO.2DC3022-000134F		
DWN	Springkong	SCALE:4:1	UNIT: mm	
CHKD	TOM	SIZE: A3	SHEET: 1 OF 1	REV:B
APVD	TOMY	CUSTOMER COPY		