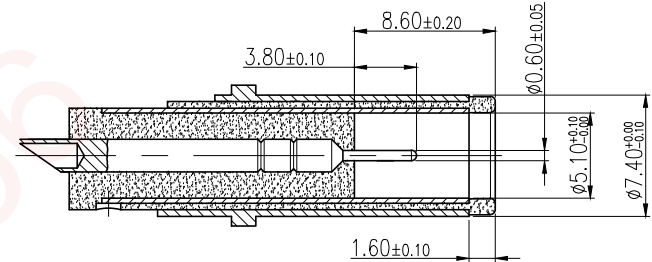
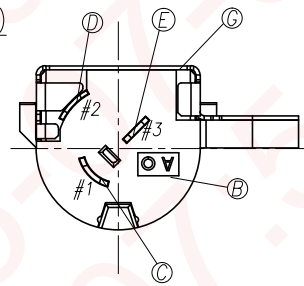
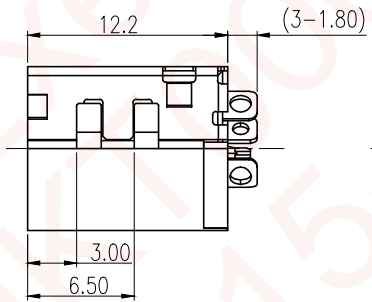
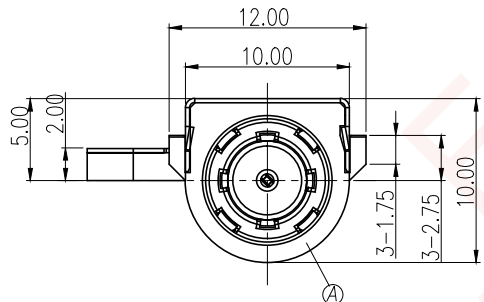
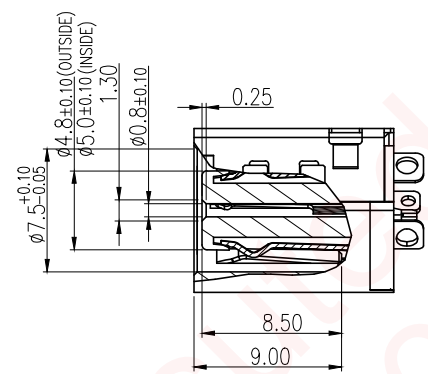
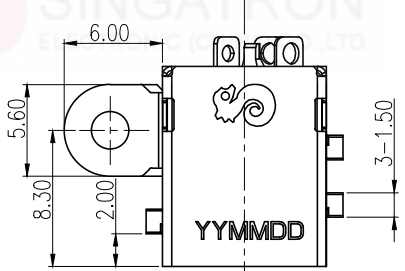
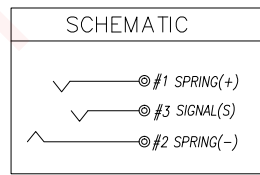
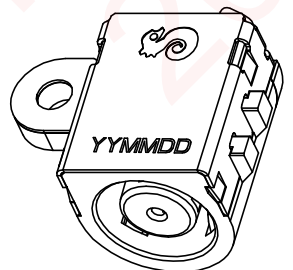
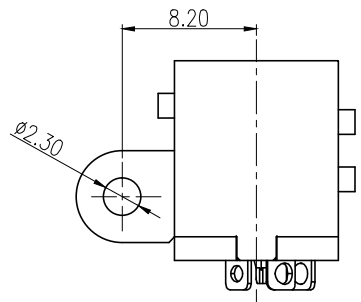


REV.	ECN NO OR DESCRIPTION	REVISED	DATE
A	PDR NO:T110902-1A	Springwu	2012.02.02
B	ECN NO:S131031	SEAN	2014.04.14
C	ECN NO:S140541	YUREN	2014.08.01
D	ECN NO:S150610-C	YUREN	2015.07.01

- SPECIFICATIONS:
- ELECTRICAL CHARACTERISTICS:
    - RATING: 20V 10A
    - CONTACT RESISTANCE: 30mΩ MAX.
    - JACK SHALL WITHSTAND 500 V AC BETWEEN ANY ADJACENT TERMINAL(EXCEPT LED) FOR ONE MINUTE.
    - INSULATION RESISTANCE: 100MΩ MIN. MEASURED BY 500 VDC
  - MECHANICAL CHARACTERISTICS:
    - INSERTION FORCE : 3.0 KG MAX.
    - WITHDRAWAL FORCE : 0.3 KG MIN.
  - LIFE TEST: 5,000 CYCLES MIN.
  - TO CONFORM TO SINGATRON HAZARDOUS SUBSTANCE FREE SPEC.
  - HALOGEN FREE PRODUCT IDENTIFICATION MARK ON JACK:
  - HALOGEN FREE PRODUCT IDENTIFICATION LABEL ON PACKAGING:
  - FOR HAND SOLDERING LEAD-FREE PROCESS.
  - PRINTED DATE CODE "YYMMDD-" ON TOP OF CONNECTOR.  
(YYMMDD= YY:YEAR MM:MONTH DD:DAY)



MATING PLUG



NO	DESCRIPTION	QTY	MATERIAL	PLATING & COLOR
F	SHELL	1	STAINLESS STEEL 0.25T	Ni 60u"
E	SIGNAL	1	COPPER ALLOY 0.30T	GOLD FLASH ON CONTACT AREA;
D	SPRING(-)	1	COPPER ALLOY 0.25T	Sn 120u" ON SOLDER TAIL;
C	SPRING(+)	1	COPPER ALLOY 0.30T	ALL OVER Ni 50u"
B	COVER	1		
A	HOUSING	1	THERMOPLASTIC UL 94V-0	BLACK

UNLESS OTHERWISE SPECIFIED TOLERANCES		Singatron Enterprise Co., Ltd. 信音企業股份有限公司	
DECIMALS:	ANGLES:	TITLE DC POWER JACK	
X :±0.5	X :±2°	DWN	YUREN PART NO. 2DC3024-000111F
X.X :±0.3	X.X :±1°	CHKD	CERRY SCALE: 3:1 UNIT: mm
X.XX :±0.2		APVD	LIAO SIZE: A3 SHEET:1 OF 1 REV:D
CUSTOMER COPY			