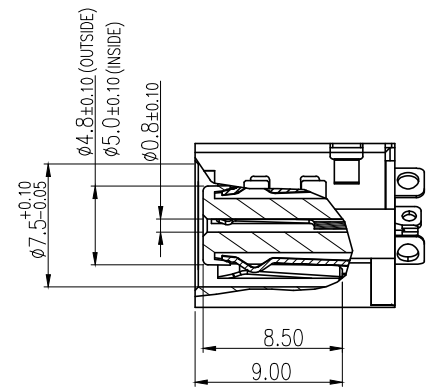
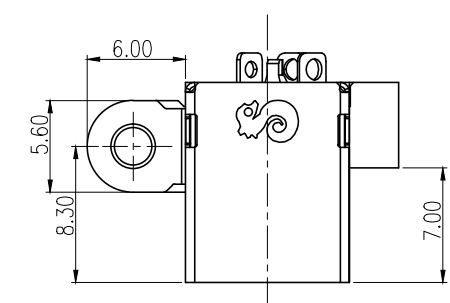


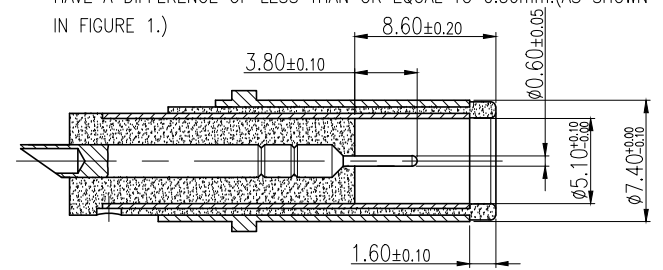
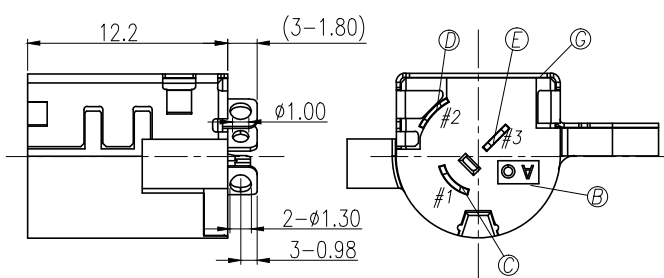
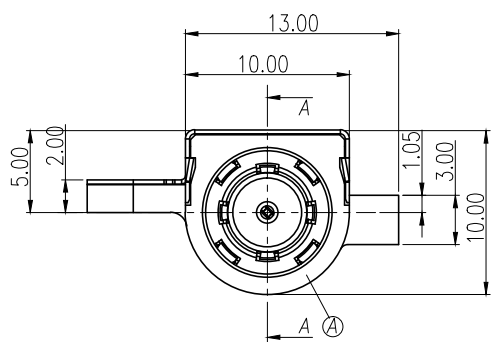
REV.	ECN NO OR DESCRIPTION	REVISED	DATE
A	PDR NO.T130702-8A	Springwu	2013.09.09
B	ECN NO.:S131031	SEAN	2014.04.14
C	ECN NO.:S140541	YUREN	2014.08.01

SPECIFICATIONS:

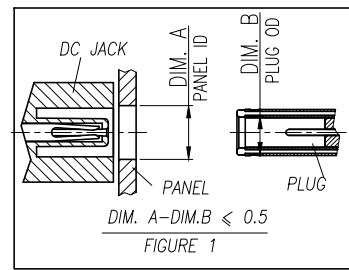
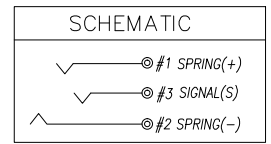
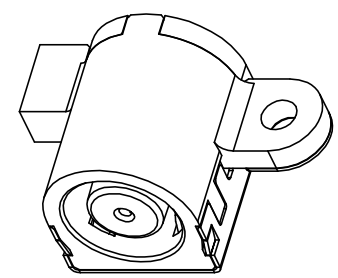
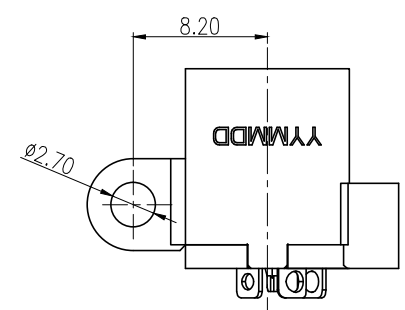
- ELECTRICAL CHARACTERISTICS:
 - 1-1. RATING: 20V 10A
 - 1-2. CONTACT RESISTANCE: 30mΩ MAX.
 - 1-3. JACK SHALL WITHSTAND 500 V AC BETWEEN ANY ADJACENT TERMINAL(EXCEPT LED) FOR ONE MINUTE.
 - 1-4. INSULATION RESISTANCE: 100MΩ MIN. MEASURED BY 500 VDC
 - MECHANICAL CHARACTERISTICS:
 - 2-1. INSERTION FORCE : 3.0 KG MAX.
 - 2-2. WITHDRAWAL FORCE : 0.3 KG MIN.
 - LIFE TEST: 5,000 CYCLES MIN.
 - OTHER GENERAL SPEC. TO REFER "2DC3024-000111F SPEC".
 - TO CONFORM TO SINGATRON HAZARDOUS SUBSTANCE FREE SPEC.
 - HALOGEN FREE PRODUCT IDENTIFICATION MARK ON JACK:
 - HALOGEN FREE PRODUCT IDENTIFICATION LABEL ON PACKAGING:
 - FOR HAND SOLDERING LEAD-FREE PROCESS.
 - PRINTED DATE CODE "YYMMDD" ON TOP OF CONNECTOR.
- (YYMMDD= YY:YEAR MM:MONTH DD:DAY)
- 10.THE PANEL'S ID MUST BE GREATER THAN THE PLUG'S OD WHICH MUST HAVE A DIFFERENCE OF LESS THAN OR EQUAL TO 0.50mm.(AS SHOWN IN FIGURE 1.)



SECTION A-A



MATING PLUG



NO	DESCRIPTION	QTY	MATERIAL	PLATING & COLOR
F	SHELL	1	STAINLESS STEEL 0.25T	Ni 60u"
E	SIGNAL	1	COPPER ALLOY 0.30T	Pd/Ni (30u" Min.) & GOLD-PLATED(5u" Min.)
D	SPRING(-)	1	COPPER ALLOY 0.25T	Sn 120u" Min. ON SOLDER TAIL .
C	SPRING(+)	1	COPPER ALLOY 0.30T	ALL OVER Ni 50u"
B	COVER	1		
A	HOUSING	1	PA66 UL 94V-0	BLACK

UNLESS OTHERWISE SPECIFIED TOLERANCES		Singatron Enterprise Co., Ltd. 信音企業股份有限公司	
DECIMALS:	ANGLES:	TITLE	
X :±0.5	X :±2°	DC POWER JACK	
X.X :±0.3	X.X :±1°	DWN	YUREN
X.XX :±0.2		CHKD	CERRY
		APVD	MAX
		PART NO.	2DC3024-002111F
		SCALE:	3:1
		UNIT:	mm
		SIZE:	A3
		SHEET:	1 OF 1
		REV:	C
CUSTOMER COPY			