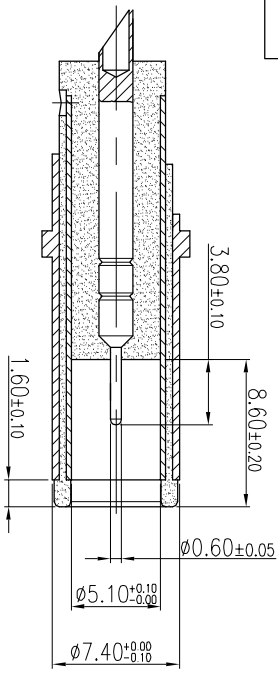
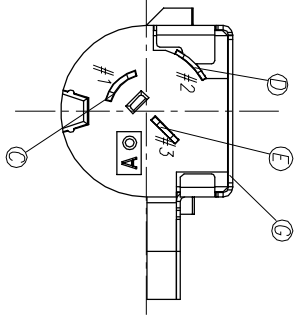
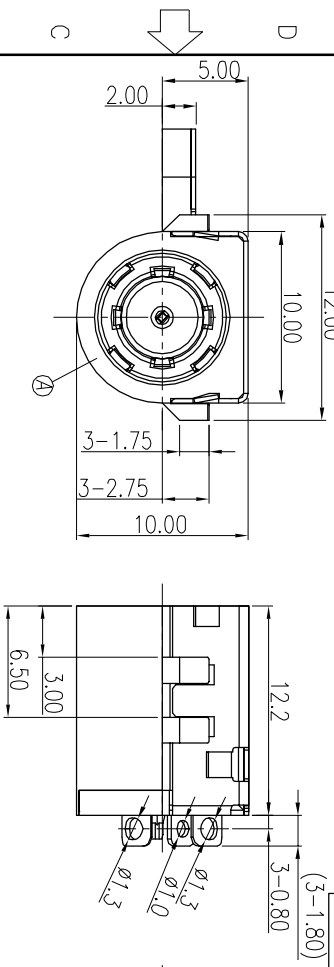
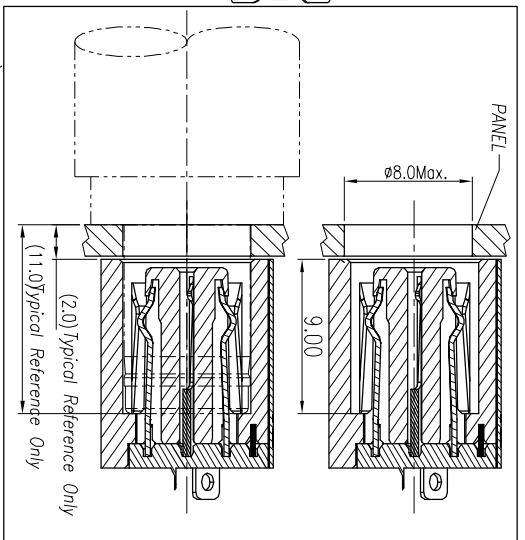
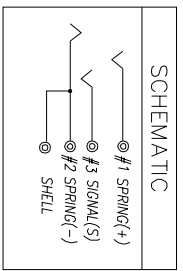
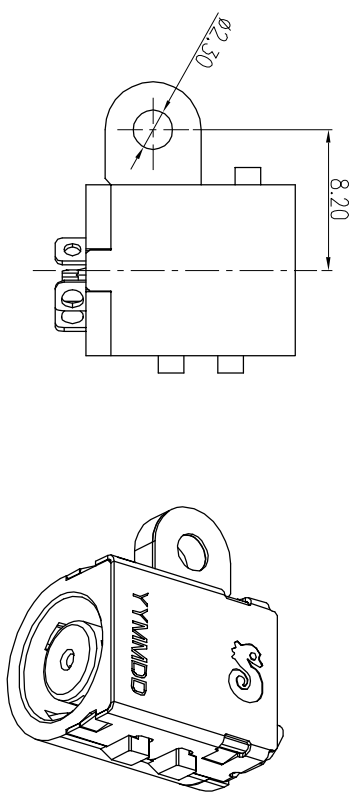


| REV. | ECN NO. | OR DESCRIPTION | REVISED | DATE |
|------|---------|----------------|---------|------------|
| A | PDR | NO. T150918-2A | Jun | 2016.04.21 |

- SPECIFICATIONS:**
- 1. ELECTRICAL CHARACTERISTICS:**
- 1-1. RATING: 20V 10A
 - 1-2. CONTACT RESISTANCE: 30mΩ MAX.
 - 1-3. JACK SHALL WITHSTAND 500 V AC BETWEEN ANY ADJACENT TERMINAL(EXCEPT LEAD) FOR ONE MINUTE
 - 1-4. INSULATION RESISTANCE: 100MΩ MIN. MEASURED BY 500 VDC
- 2. MECHANICAL CHARACTERISTICS:**
- 2-1. INSERTION FORCE : 3.0 KG MAX.
 - 2-2. WITHDRAWAL FORCE : 0.3 KG MIN.
 - 3. LIFE TEST: 5,000 CYCLES MIN.
 - 4. TO CONFORM TO SINGATRON HAZARDOUS SUBSTANCE FREE SPEC.
 - 5. HALOGEN FREE PRODUCT IDENTIFICATION MARK ON JACK.
 - 6. HALOGEN FREE PRODUCT IDENTIFICATION LABEL ON PACKAGING.
 - 7. FOR HAND SOLDERING LEAD-FREE PROCESS.
8. PRINTED DATE CODE "YYMMDD" ON TOP OF CONNECTOR.
(YYMMDD= YY:YEAR MM:MONTH DD:DAY)



MATING PLUG

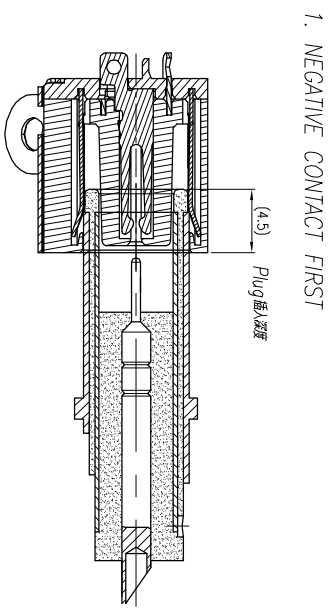


| | | | | |
|--|-------------|-----|------------------------|----------------------------|
| F | SHELL | 1 | STAINLESS STEEL 0.25T | Ni 60u" |
| E | SIGNAL | 1 | COPPER ALLOY 0.30T | COLD FLUSH ON CONTACT AREA |
| D | SPRING(-) | 1 | COPPER ALLOY 0.25T | 5x 120u" ON SOLDER TAIL. |
| C | SPRING(+) | 1 | COPPER ALLOY 0.30T | ALL OVER Ni 50u" |
| B | COVER | 1 | THERMOPLASTIC UL 94V-0 | BLACK |
| A | HOUSING | 1 | | |
| NO | DESCRIPTION | QTY | MATERIAL | PLATING & COLOR |
| Singatron Enterprise Co., Ltd. 信音企業股份有限公司 | | | | |
| UNLESS OTHERWISE SPECIFIED TOLERANCES | | | | |

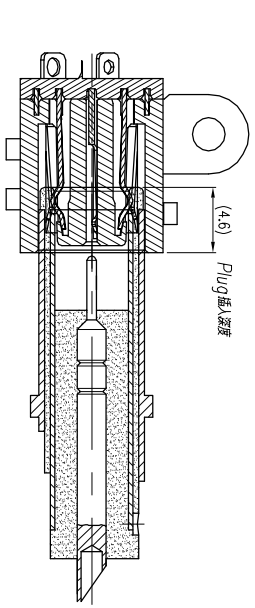
| | | | |
|-----------|--------|---------------|-----------------------|
| DECIMALS: | | ANGLES: | |
| X | :±0.5 | X | :±2° |
| X.X | :±0.3 | X.X | :±1' |
| X.XX | :±0.2 | | |
| TITLE | | DC POWER JACK | |
| DWN | Jun | PART NO. | 2DC3024-005111F |
| CHKD | Sky | SCALE: | 3:1 UNIT: mm |
| APVD | Lussen | SIZE: | A3 SHEET:1 OF 2 REV:A |

CUSTOMER COPY

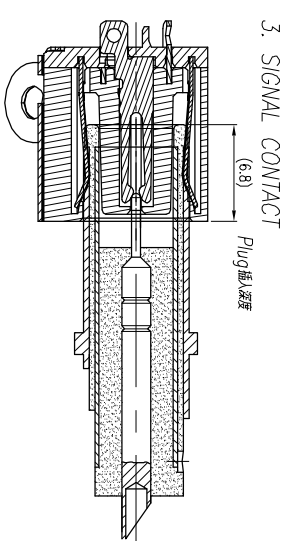
| REV. | ECN NO. OR DESCRIPTION | REVISED | DATE |
|------|------------------------|---------|------------|
| A | PDR NO. T150918-2A | Jun | 2016.04.21 |



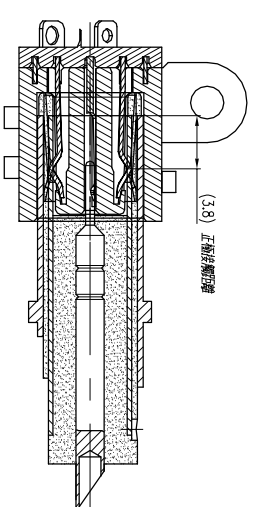
1. NEGATIVE CONTACT FIRST



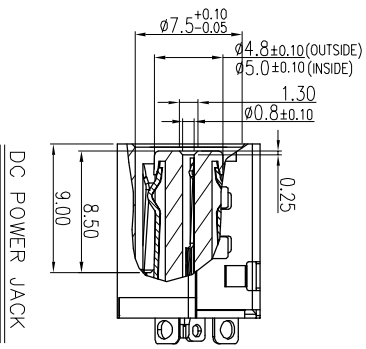
2. POSITIVE CONTACT



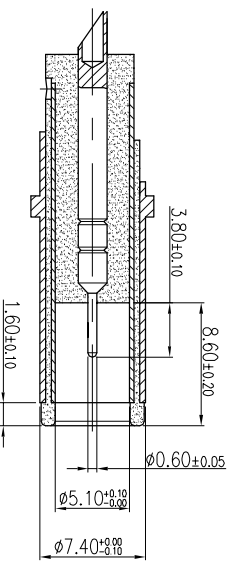
3. SIGNAL CONTACT



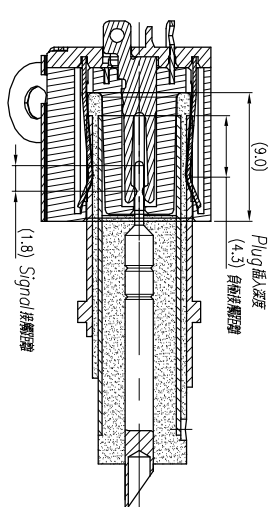
4. FULL INSERTION



DC POWER JACK



MATING PLUG



UNLESS OTHERWISE SPECIFIED TOLERANCES

| | | | |
|-------------|-----------|-------------|-------------------------------|
| DECIMALS: | ANGLES: | TITLE | DC POWER JACK |
| X : ±0.5 | X : ±2° | DWN Jun | PART NO. 2DC3024-005111F |
| X.X : ±0.3 | X.X : ±1' | CHKD Sky | SCALE: 3:1 UNIT: mm |
| X.XX : ±0.2 | | APVD Lussen | SIZE: A3 SHEET: 2 OF 2 REV: A |

Singatron Enterprise Co., Ltd.
信晉企業股份有限公司

CUSTOMER COPY