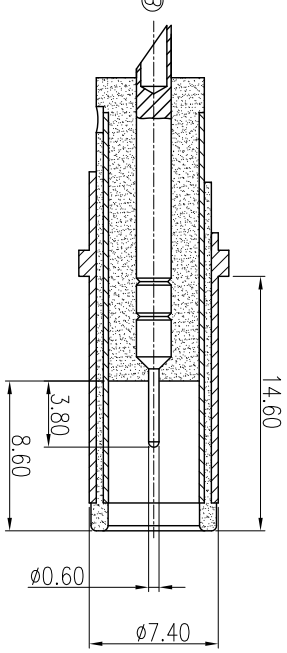
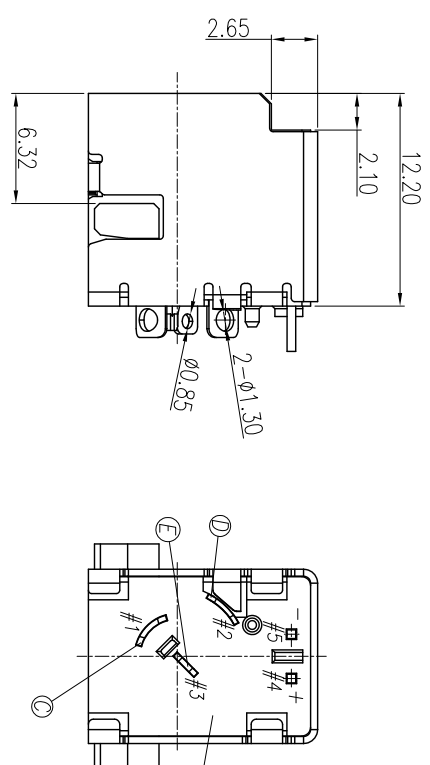
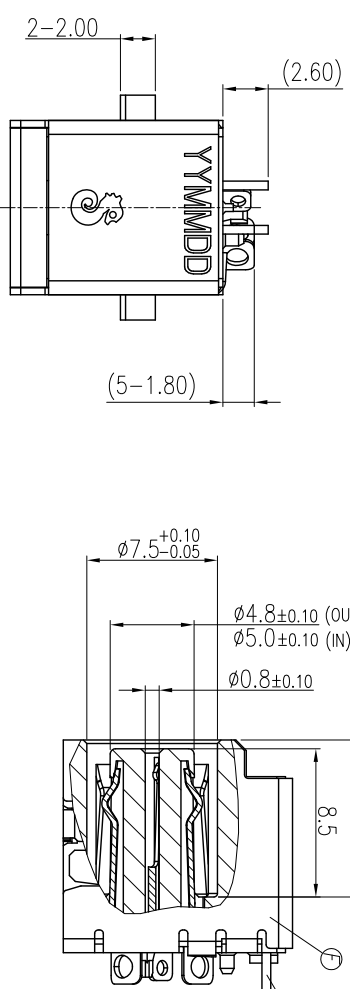


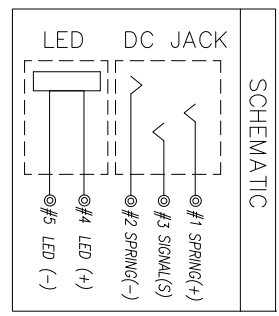
REV.	ECN NO.	OR DESCRIPTION	REVISED	DATE
A	PDR	NO.1100909-3A	SKY	2011.03.29

- SPECIFICATIONS:
1. ELECTRICAL CHARACTERISTICS:
- 1-1. RATING: 20V 10A
 - 1-2. CONTACT RESISTANCE: $30m\Omega$ MAX.
 - 1-3. JACK SHALL WITHSTAND 500 V AC BETWEEN ANY ADJACENT TERMINAL (EXCEPT LED) FOR ONE MINUTE.
 - 1-4. INSULATION RESISTANCE: $100M\Omega$ MIN. MEASURED BY 500 VDC
2. MECHANICAL CHARACTERISTICS:
- 2-1. INSERTION FORCE : 0.3 KG MAX.
 - 2-2. WITHDRAWAL FORCE : 0.3 KG MIN.
 - 3. LIFE TEST: 5,000 CYCLES MIN.
 - 4. TO CONFORM TO SINGATRON HAZARDOUS SUBSTANCE FREE SPEC.
 - 5. HALOGEN FREE PRODUCT IDENTIFICATION MARK ON JACK:
 - 6. HALOGEN FREE PRODUCT IDENTIFICATION LABEL ON PACKAGING:
 - 7. FOR HAND SOLDERING LEAD-FREE PROCESS.
 - 8. PRINTED DATE CODE "YYMMDD-" ON TOP OF CONNECTOR.
- (YYMMDD= YY:YEAR MM:MONTH DD:DAY)



MATING PLUG (TOLERANCE:±0.05)

LED TYPE	AMBER (WAVELENGTH:~594)	LED (+)	LED (-)
COLOR	AMBER	AMBER	WHITE
NODE	WHITE	WHITE	WHITE
PIN 4(+)	PIN 5(-)	PIN 4(-)	PIN 5(+)



LED Soldering Condition:

Peak temperature	Dwell time
SOLDERING IRON 350 °C Max.	3 sec Max.
	(ONE TIME ONLY)

ITEM	DESCRIPTION	QTY	MATERIAL	PLATING & COLOR
G	LED	1	GdN/SiC	WHITE/AMBER(594~594) LIGHT
F	SHELL	1	SPCC-SD 0.40T	Ni 60u"
E	SIGNAL	1	COPPER ALLOY 0.30T	COLD FLASH ON CONTACT AREA;
D	SPRING(-)	1	COPPER ALLOY 0.25T	Sn 120u" ON SOLDER THL.
C	SPRING(+)	1	COPPER ALLOY 0.30T	ALL OVER Ni 50u"
B	COVER	1	THERMOPLASTIC UL 94V-0	BLACK
A	HOUSING	1		
NO	DESCRIPTION	QTY	MATERIAL	PLATING & COLOR
UNLESS OTHERWISE SPECIFIED TOLERANCES				
Singatron Enterprise Co., Ltd. 信管企業股份有限公司				
DECIMALS: ANGLES:				
X	:±0.5	X	:±2°	
X.X	:±0.3	X.X	:±1°	
X.XX	:±0.2			
TITLE DC JACK + LED				
DWN SKY PART NO. 2DC3024-200114F				
CHKD Boye SCALE: 4:1 UNIT: mm				
APVD Quon SIZE: A3 SHEET: 1 OF 1 REV: A				
CUSTOMER COPY				

1 2 3 4 5 6 7 8