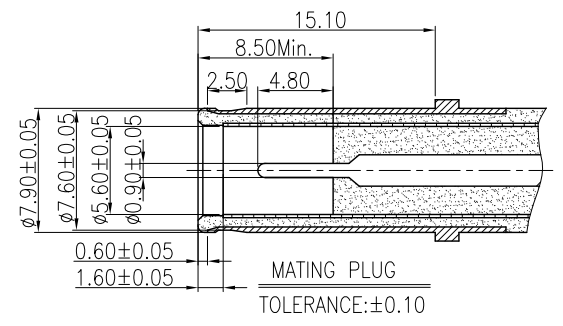
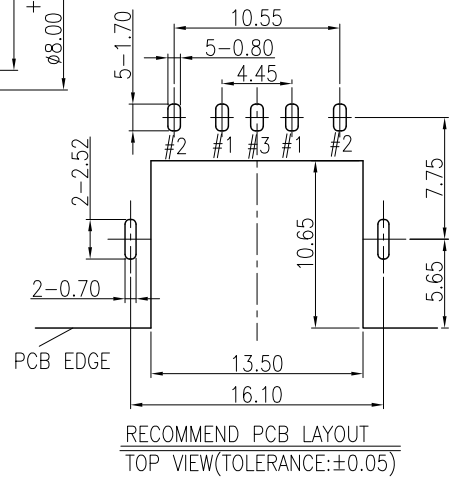
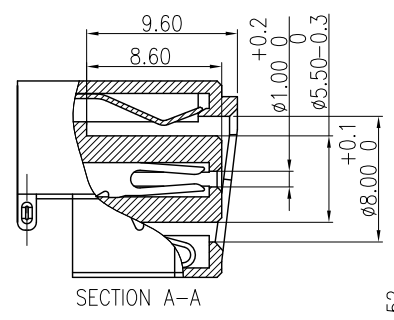
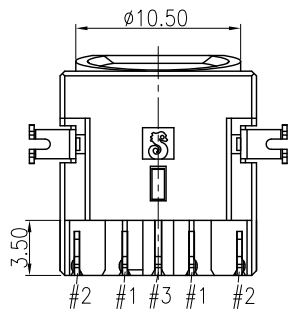
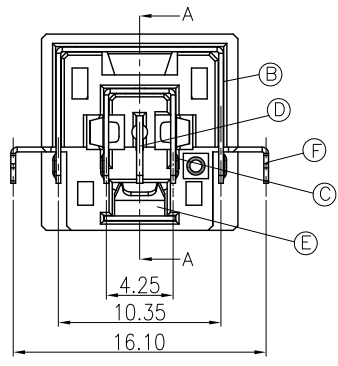
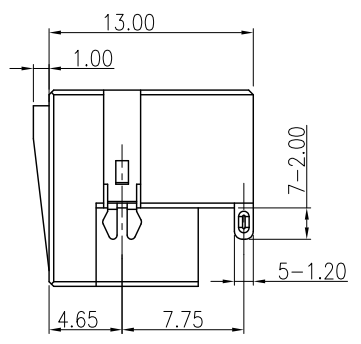
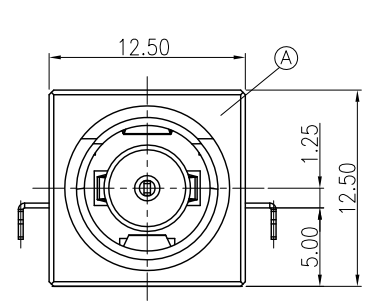
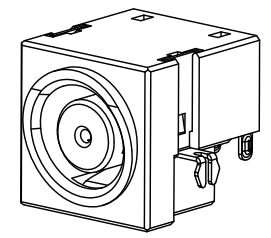
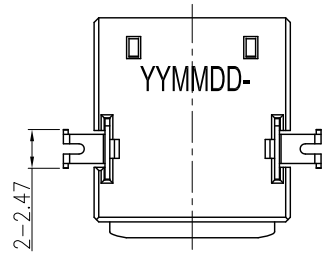


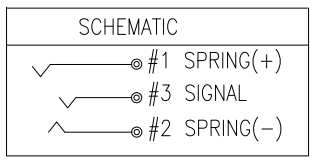
REV.	ECN NO OR DESCRIPTION	REVISED	DATE
A	PDR NO.:T100914-6A	Billy	2011.06.28



SPECIFICATIONS:

- ELECTRICAL CHARACTERISTICS:
 - RATING: DC 20V 7A
 - CONTACT RESISTANCE: 30mΩ MAX.(INITIAL)
 - DIELECTRIC WITHSTANDING VOLTAGE: 500V AC FOR ONE MINUTE.
 - INSULATION RESISTANCE: 100MΩ MIN. MEASURED BY 500 VDC
- MECHANICAL CHARACTERISTICS:
 - INSERTION FORCE :3.0 KGF Max
 - WITHDRAWAL FORCE :0.3 KGF MIN.
- LIFE TEST: 5,000 CYCLES MIN.
- OTHER GENERAL SPEC. TO REFER "2DC3025-000141F SPEC".
- TO CONFORM TO SINGATRON HAZARDOUS SUBSTANCE FREE SPEC.
- HALOGEN FREE PRODUCT IDENTIFICATION MARK ON PRODUCT:
- HALOGEN FREE PRODUCT IDENTIFICATION LABEL ON PACKAGING:
- FOR HAND SOLDERING LEAD-FREE PROCESS.
- PACKAGING:TAPE&REEL
- PRINTED DATE CODE "YYMMDD" ON TOP OF CONNECTOR.

DD: DAY
MM: MONTH
YY: YEAR



F	FIX TERMINAL	2	SPCC-SD 0.3T	Sn 120u" OVER Ni 50u"
E	SPRING	1	COPPER ALLOY 0.3T	ALL OVER Ni 50u"
D	SIGNAL	1	COPPER ALLOY 0.4T	Au 30u" ON CONTACT AREA
C	SPRING(+)	1	COPPER ALLOY 0.3T	Sn 120u" ON SOLDERTAIL
B	SPRING(-)	1	COPPER ALLOY 0.3T	ALL OVER Ni 50u"
A	HOUSING	1	HIGH TEMP.THERMOPLASTIC UL 94V-0	YELLOW
NO	DESCRIPTION	QTY	MATERIAL	PLATING & COLOR
UNLESS OTHERWISE SPECIFIED TOLERANCES			Singatron Enterprise Co., Ltd. 	
DECIMALS:		TITLE		
X :±0.5		DC POWER JACK		
X.X :±0.3		DWN Billy		
X.XX :±0.2		PART NO. 2DC3025-000141F		
CHKD	SKY	SCALE: 4:1	UNIT: mm	
APVD	LUSSEN	SIZE: A3	SHEET: 1 OF 1	REV:A
CUSTOMER COPY				