

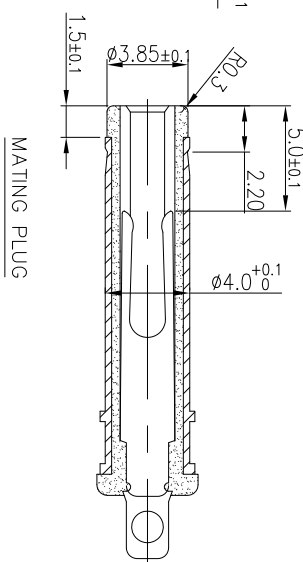
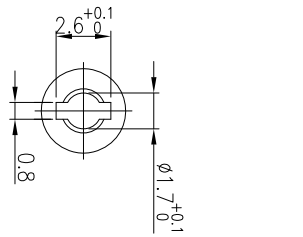
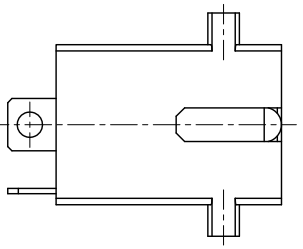
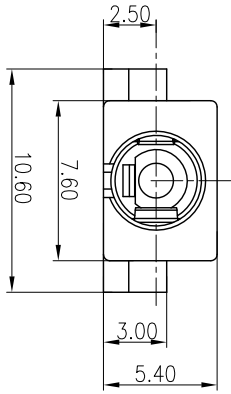
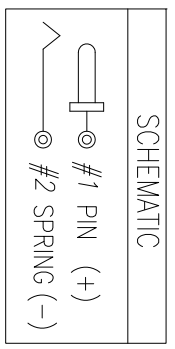
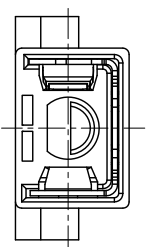
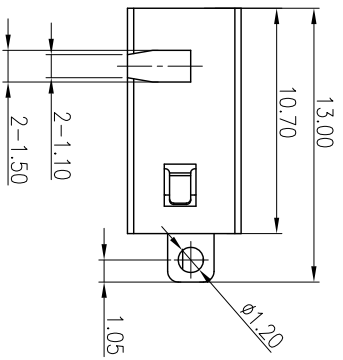
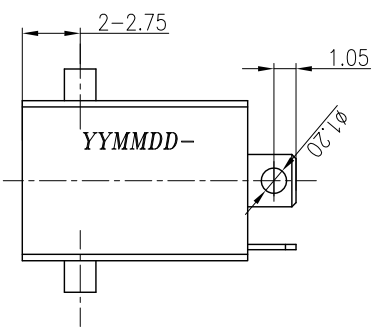
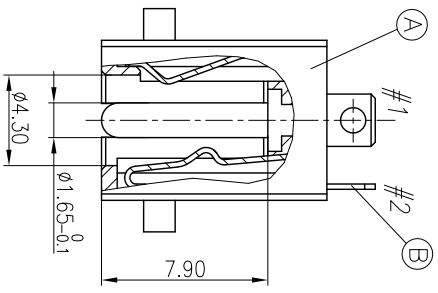
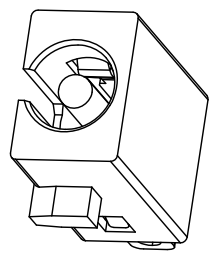



REV.	ECN NO. OR DESCRIPTION	REVISED	DATE
A	PDR NO.111011-5A	Ron	2012.04.05

SPECIFICATIONS:

- ELECTRICAL CHARACTERISTICS:
 - RATING: 20V 2A
 - CONTACT RESISTANCE: 30mΩ MAX.(INITIAL)
 - DIELECTRIC WITHSTANDING VOLTAGE: 500V AC FOR ONE MINUTE.
 - INSULATION RESISTANCE: 100MΩ MIN. MEASURED BY 500 VDC
- MECHANICAL CHARACTERISTICS:
 - INSERTION FORCE : 3.0 kg Max.
 - WITHDRAWAL FORCE : 0.3~3.0kg.
- LIFE TEST: 5,000 CYCLES MIN.
- OTHER GENERAL SPEC. TO REFER "2DC3026 SERIES SPEC."
- HALOGEN FREE PRODUCT IDENTIFICATION MARK ON JACK: 
- HALOGEN FREE PRODUCT IDENTIFICATION LABEL ON PACKAGING: 
- FOR HAND SOLDERING LEAD-FREE PROCESS.



MATING PLUG

B	SPRING(-)	1	COPPER ALLOY	COLD FLASH OVER IN 50 μ"
A	INSERT MOLDING	1	PIN:COPPER ALLOY	COLD FLASH OVER IN 50 μ"
		1	BODY: THERMOPLASTIC UL 94V-0	BLACK
NO	DESCRIPTION	QTY	MATERIAL	PLATING & COLOR
UNLESS OTHERWISE SPECIFIED TOLERANCES				
 Singatron Enterprise Co., Ltd. 信音企業股份有限公司				
TITLE: DC POWER JACK				
DMN	Ron	PART NO. 2DC3026-003115F		
CHKD	Sky	SCALE	4:1	UNIT: mm
APVD	Lussen	SIZE:	A3	SHEET: 1 OF 1
REV: A				

DECIMALS:	ANGLES:
X : ±0.5	X : ±2°
X.X : ±0.3	X.X : ±1°
X.XX : ±0.2	

CUSTOMER COPY