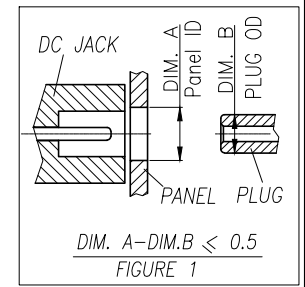
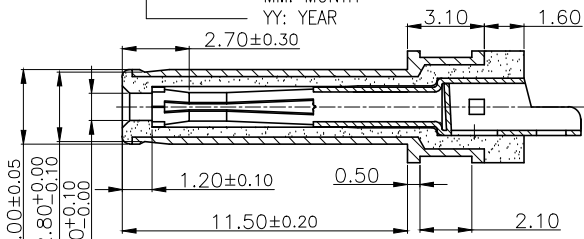


REV.	ECN NO OR DESCRIPTION	REVISED	DATE
A	PDR NO: T140124-5A	Springwu	2014.04.04

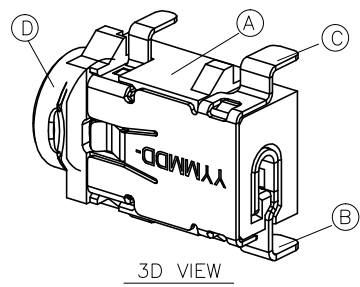
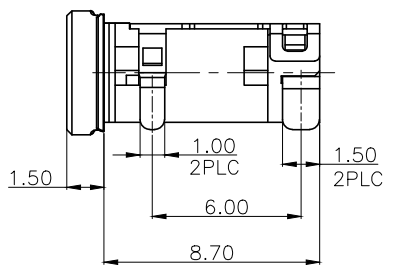
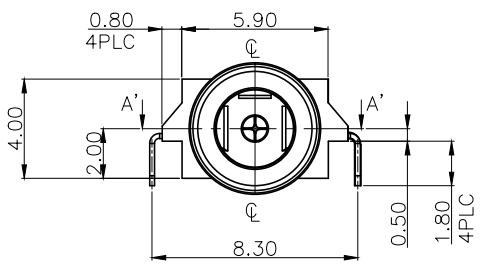
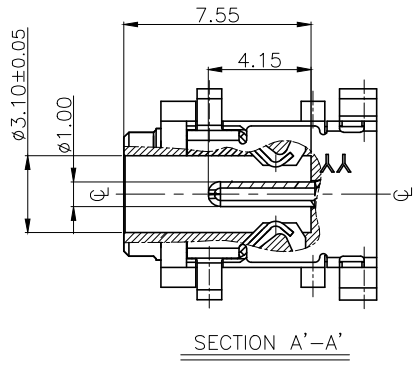
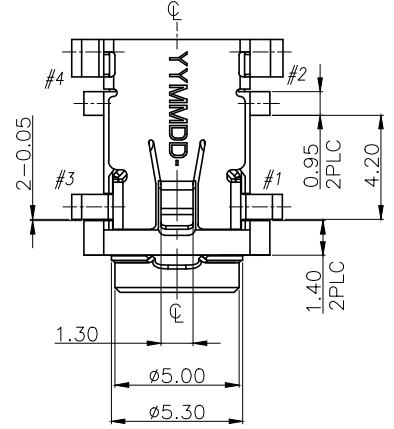
- ELECTRICAL PERFORMANCES:
  - CONTACT RESISTANCE: 60 mΩ MAX.(AFTER TEST)
  - INSULATION RESISTANCE: 100MΩ MIN.
  - DIELECTRIC WITHS TANDING VOLTAGE: 500V AC FOR 1 MINUTE.
- PERFORMANCE:
  - VOLTAGE RATING: 20V DC.
  - CURRENT RATING: 3.0Amps MAX.
  - OPERATING TEMPERAQTURE: -45°C TO +80°C.
- MECHANICAL PERFORMANCES:
  - INSERTION FORCE: 0.5~3.0 KGf
  - WITHDRAWAL FORCE: 0.3~3.0 KGf
  - DURABILITY: 5000 CYCLES.
- HALOGEN FREE PRODUCT IDENTIFICATION MARK ON JACK:
- HALOGEN FREE PRODUCT IDENTIFICATION LABEL ON PACKAGING:
- PRINTED DATE CODE" YMMDD " ON TOP OF CONNECTOR.
- THE PANEL'S ID MUST BE GREATER THAN THE PLUG'S OD WHICH MUST HAVE A DIFFERENCE OF LESS THAN OR EQUAL TO 0.5 mm.(AS SHOWN IN FIGURE 1.)



DATE CODE: YMMDD  
 DD: DAY  
 MM: MONTH  
 YY: YEAR

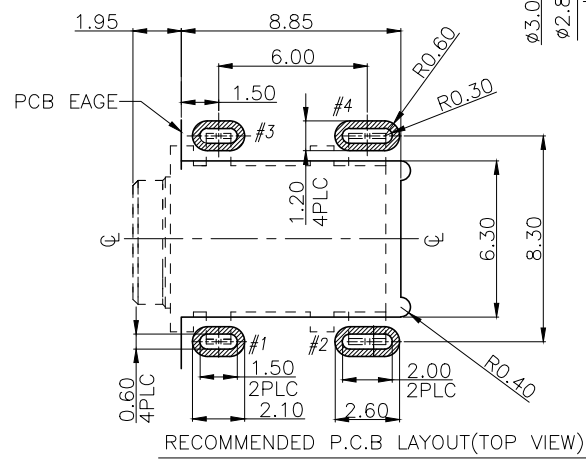


ø3.0 PULG TYPE(2DP1521-000111F)



3D VIEW

SCHEMATIC	
	#1, #3, #4 SHELL(-)
	#2 PIN(+)



RECOMMENDED P.C.B LAYOUT(TOP VIEW)

TOLERANCE ±0.05mm

D	METAL	1	BARSS	Ni 60u" Min.
C	SHELL	1	COPPER ALLOY,T=0.20	G/F on all area.
B	SPRING PIN(+)	1	COPPER ALLOY,T=0.25	G/F Plating on the contact area; Sn 120uin plating on solder tail area. All over 50uin Nickel Plating.
A	BODY	1	HIGH TEMPERATURE THERMOPLASTIC,UL 94V-0	BLACK
NO	DESCRIPTION	QTY	MATERIAL	PLATING & COLOR
UNLESS OTHERWISE SPECIFIED TOLERANCES			Singatron Enterprise Co., Ltd. 信音企業股份有限公司	
DECIMALS:		ANGLES:		TITLE
X	:±0.5	X	:±2'	<b>DC POWER JACK</b>
X.X	:±0.3	X.X	:±1'	DWN Springwu <b>PART NO. 2DC3028-01111F</b>
X.XX	:±0.2			CHKD Sky SCALE:5:1 UNIT: mm
		APVD Lussen	SIZE: A3	SHEET:1 OF 1 REV:A
<b>CUSTOMER COPY</b>				