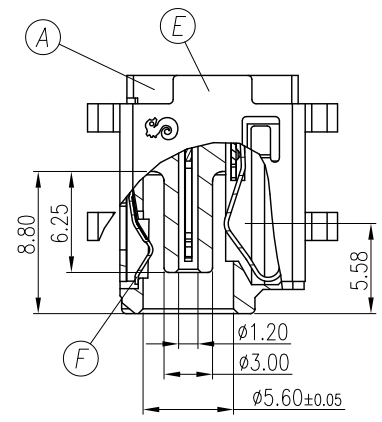
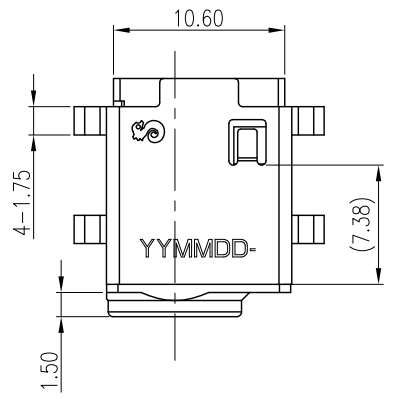
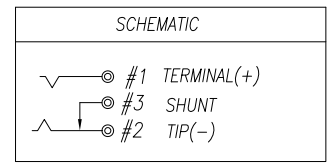
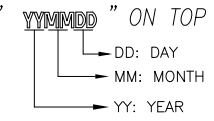


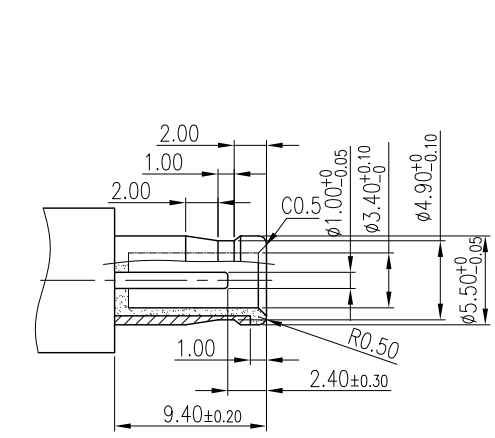
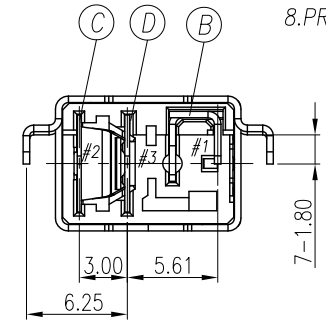
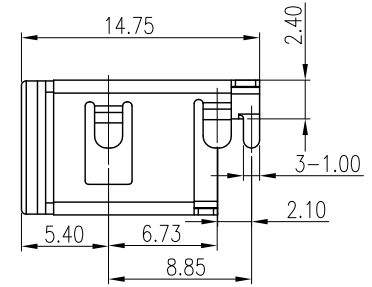
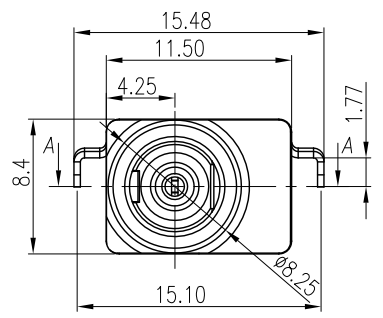
REV.	ECN NO OR DESCRIPTION	REVISED	DATE
A	PDR NO. T110121-3A	Springwu	2011.07.06
B	ECN NO. S120210	ANDY	2012.02.07
C	ECN NO. S130374	SEAN	2013.09.22

SPECIFICATIONS:

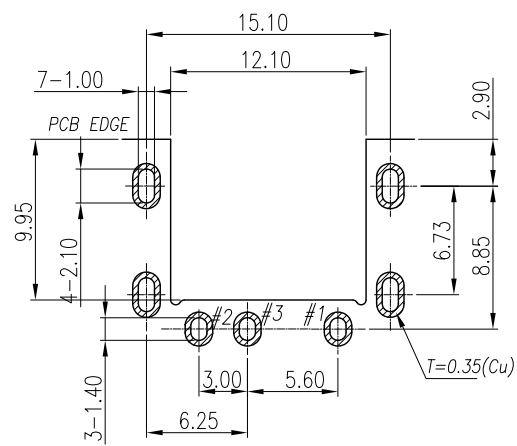
- ELECTRICAL CHARACTERISTICS:
 - 1-1. RATING: 20V 7A
 - 1-2. CONTACT RESISTANCE: 30mΩ MAX.(INITIAL)
 - 1-3. DIELECTRIC WITHSTANDING VOLTAGE: 500V AC FOR ONE MINUTE
 - 1-4. INSULATION RESISTANCE: 100MΩ MIN. MEASURED BY 500 VDC
- MECHANICAL CHARACTERISTICS:
 - 2-1. INSERTION FORCE :3.0 KG Max.
 - 2-2. WITHDRAWAL FORCE : 1.0~3.0 KG
- LIFE TEST: 5,000 CYCLES MIN.
- TO CONFORM TO SINGATRON HAZARDOUS SUBSTANCE FREE SPEC.
- HALOGEN FREE PRODUCT IDENTIFICATION MARK ON JACK:
- HALOGEN FREE PRODUCT IDENTIFICATION LABEL ON PACKAGING:
- FOR REFLOW SOLDERING LEAD-FREE PROCESS.
- PRINTED DATE CODE "YYMMDD" ON TOP OF CONNECTOR.



SECTION A-A



MATING PLUG TOLERANCE: ±0.10



RECOMMEND P.C.B LAYOUT TOP VIEW(TOLERANCES: ±0.05)

F	GROUND	1	STAINLESS STEEL; 0.20T	Ni 60u"
E	SHELL	1	BRASS; 0.4T	Ni 60u"
D	SHUNT	1	BRASS; 0.3T	GOLD FLASH ON CONTACT AREA; Sn 120u" ON SOLDER TAIL; ALL OVER Ni 60u"
C	TIP	1	COPPER ALLOY; 0.25T	GOLD FLASH ON CONTACT AREA; Sn 120u" ON SOLDER TAIL; ALL OVER Ni 60u"
B	TERMIANL	1	COPPER ALLOY; 0.4T	GOLD FLASH ON CONTACT AREA; Sn 120u" ON SOLDER TAIL; ALL OVER Ni 60u"
A	BODY	1	PA6T+30%GF RG430N; UL 94V-0	BLACK

UNLESS OTHERWISE SPECIFIED TOLERANCES		Singatron Enterprise Co., Ltd. 信音企業股份有限公司			
DECIMALS:	ANGLES:	TITLE DC JACK			
X : ±0.5	X : ±2°	DWN	SEAN	PART NO.2DC3032-000111F	
X.X : ±0.3	X.X : ±1°	CHKD	CERRY	SCALE:4:1	UNIT: mm
X.XX : ±0.2		APVD	MAX	SIZE: A3	SHEET:1 OF 1 REV:C
CUSTOMER COPY					