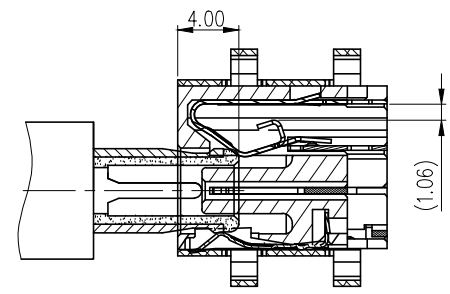
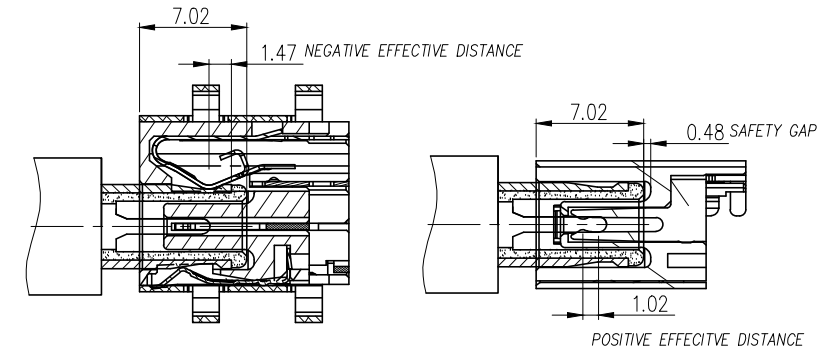


REV.	ECN NO OR DESCRIPTION	REVISED	DATE
A	PDR NO.S150413-5A	Springwu	2015.9.22
B	ECN NO.S170238-C	YUREN	2017.5.8

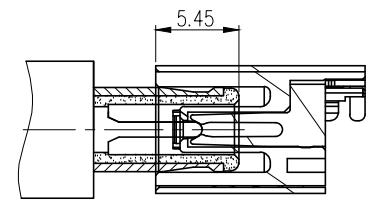
1. GROUND PIN CONTACT FIRST



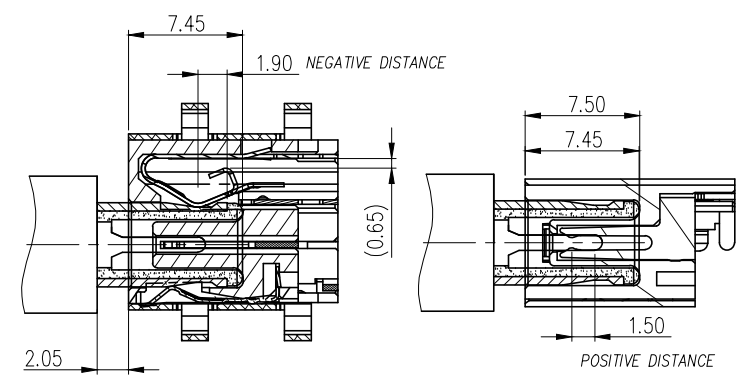
4. LOCK POSITION



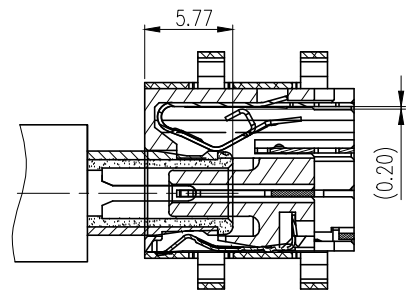
2. POSITIVE PIN CONTACT SECOND.



5. FULL INSERTION



3. NEGATIVE CONTACT



UNLESS OTHERWISE SPECIFIED TOLERANCES		Singatron Enterprise Co., Ltd. 信音企業股份有限公司	
DECIMALS:	ANGLES:	TITLE DC JACK	
X : ±0.1	X : ±2°	DWN	YUREN PART NO.2DC3032-002111F
X.X : ±0.1	X.X : ±1°	CHKD	CERRY SCALE: 4:1 UNIT: mm
X.XX : ±0.1		APVD	LIAO SIZE: A3 SHEET: 2 OF 2 REV: B
CUSTOMER COPY			