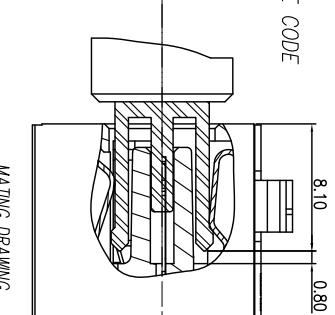
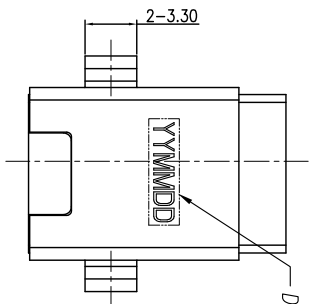
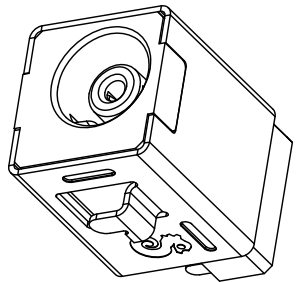


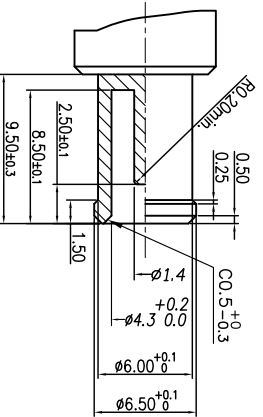
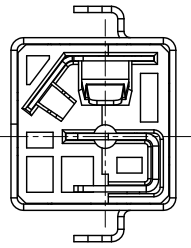
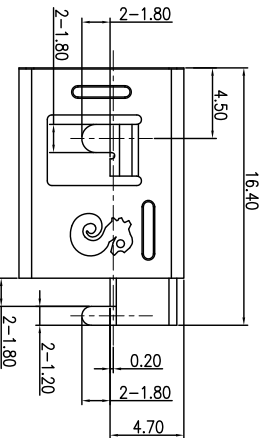
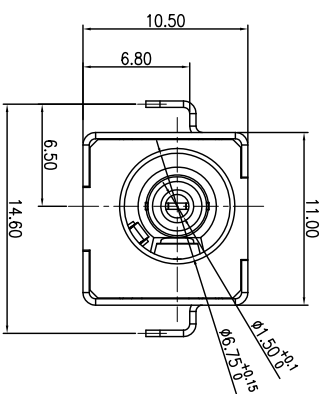
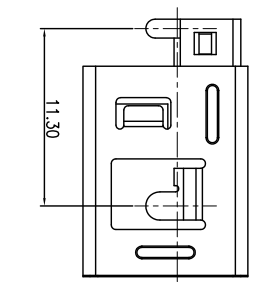
REV. A	ECN NO. T110304-8A	OR. DESCRIPTION	REVISED	DATE
			SMILE	2011.08.02



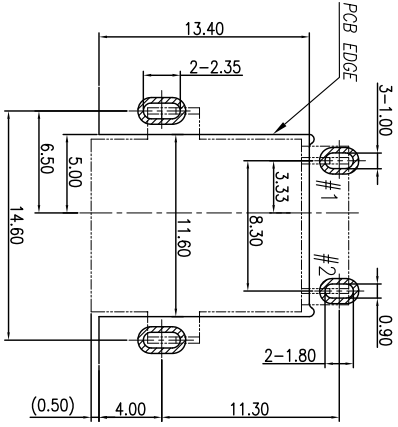
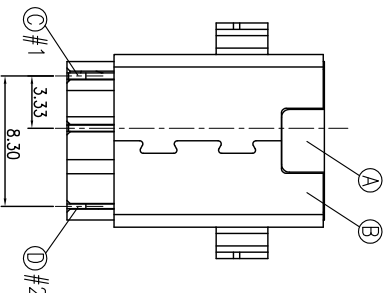
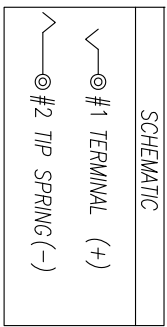
MATING DRAWING

- SPECIFICATIONS:
- ELECTRICAL CHARACTERISTICS:
 - RATING: 20V 7A
 - CONTACT RESISTANCE: 30mΩ MAX (INITIAL)
 - DIELECTRIC WITHSTANDING VOLTAGE: 500V AC FOR ONE MINUTE
 - INSULATION RESISTANCE: 100MΩ MIN. MEASURED BY 500 VDC
 - MECHANICAL CHARACTERISTICS:
 - INSERTION FORCE: 3.0 KGF MAX
 - WITHDRAWAL FORCE: 0.8~3.0 KGF
 - LIFE TEST: 5,000 CYCLES MIN.
 - TO CONFORM TO SINGATRON HAZARDOUS SUBSTANCE FREE SPEC.
 - HALOGEN FREE PRODUCT IDENTIFICATION MARK ON JACK:
 - FOR REFLOW SOLDERING LEAD-FREE PROCESS.
 - PRINTED DATE CODE "YMMIDD".

DD: DAY
MM: MONTH
YY: YEAR



MATING PLUG
(TOLERANCE ±0.05)



RECOMMEND PCB LAYOUT
TOP VIEW (TOLERANCES: ±0.05)

D	TIP SPRING(-)	1	COPPER ALLOY 0.30T	Gold Flush On Contact Area, Sn 120u Min On Solder Tail, All Over Ni 50u Min.
C	TERMINAL(+)	1	COPPER ALLOY 0.40T	
B	SHELL	1	COPPER ALLOY 0.40T	Ni 60u Min.
A	BODY	1	HIGH TEMP. THERMOPLASTIC UL94V-0	BLACK
NO	DESCRIPTION	QTY	MATERIAL	PLATING & COLOR

Singaton Enterprise Co., Ltd.
信音企業股份有限公司

DC POWER JACK

DECIMALS:	ANGLES:	TITLE	PART NO.	UNIT:	SHEET:	REV:
X : ±0.5	X : ±2°	DWN	2DC3033-000111F	mm	1 OF 1	A
X.X : ±0.3	X.X : ±1°	CHKD	SCALE 4:1			
X.XX : ±0.2		APVD	SIZE: A3			

CUSTOMER COPY