

SECTION A-A

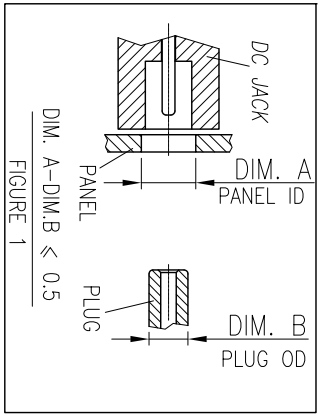
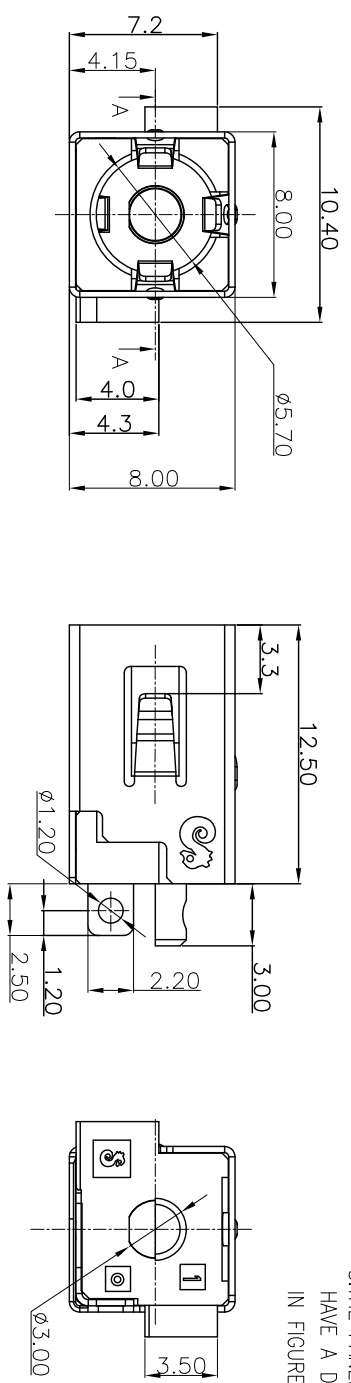
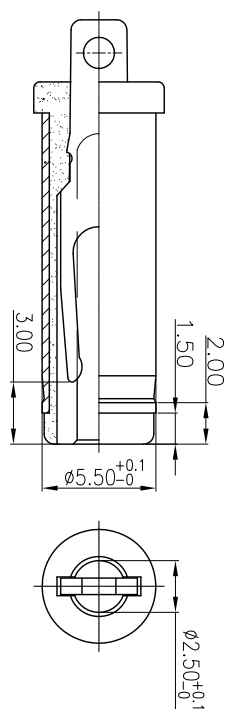
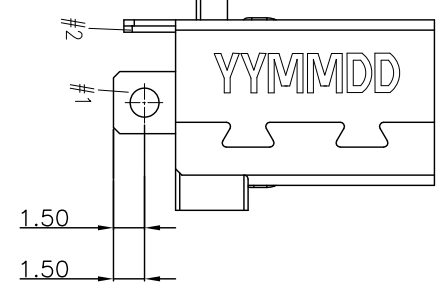
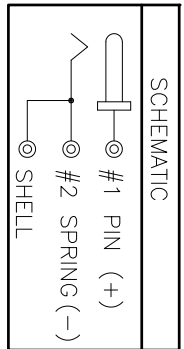


FIGURE 1

YYMMDD
 DD: DAY
 MM: MONTH
 YY: YEAR



MATING PLUG (TOLERANCES: ±0.10)

- SPECIFICATIONS:
- ELECTRICAL CHARACTERISTICS:
 - RATING: 20V 7A
 - CONTACT RESISTANCE: 30mΩ MAX.(INITIAL)
 - DIELECTRIC WITHSTANDING VOLTAGE: 500V AC FOR ONE MINUTE.
 - INSULATION RESISTANCE: 100MΩ/MIN. MEASURED BY 500 VDC
 - MECHANICAL CHARACTERISTICS:
 - INSERTION FORCE(INITIAL) : 3.0 KG MAX.
 - WITHDRAWAL FORCE(INITIAL) : 0.5 KG MIN.
 - LIFE TEST: 5000 CYCLES MIN.
 - TO CONFORM TO SINGATRON HAZARDOUS SUBSTANCE FREE SPEC.
 - OTHER GENERAL SPEC. TO REFER "2DC3051 SERIES SPEC".
 - GREEN PRODUCT IDENTIFICATION MARK ON JACK:
 - GREEN PRODUCT IDENTIFICATION LABEL ON PACKAGING:
 - THE PANEL'S ID MUST BE GREATER THAN THE PLUG'S OD WHICH MUST HAVE A DIFFERENCE OF LESS THAN OR EQUAL TO 0.5 mm.(AS SHOWN IN FIGURE 1.)

NO	DESCRIPTION	QTY	MATERIAL	PLATING & COLOR
E	STOPPER	1	HIGH TEMP. THERMOPLASTIC,UL94V-0	BLACK
D	SHELL	1	COPPER ALLOY T=0.30	Ni 60u" Min. plating over all.
C	PIN	1	BRASS	Ni 60u" Min. plating over all.
B	SPRING	1	COPPER ALLOY T=0.25	Au 1u" Min. on Contact Area. Sn 100u" Min. on Solder Tail. all over Nickel 50u" Min. plating.
A	BODY	1	THERMOPLASTIC,UL94V-0	BLACK

DECIMALS:	ANGLES:
X : ±0.5	X : ±2°
X.X : ±0.3	X.X : ±1°
X.XX : ±0.2	

TITLE	PART NO.	REV.
DWM Springwul	2DC3051-004111F	
CHKD Sky		
APVD Lussen		

UNLESS OTHERWISE SPECIFIED TOLERANCES

Singatron Enterprise Co., Ltd.
 信亨企業股份有限公司

DC POWER JACK

CUSTOMER COPY

REV.	EGN NO OR DESCRIPTION	REVISED	DATE
A	PDR NO: T131106-5A	Springwu	2013.12.27