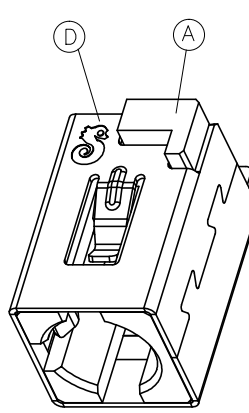
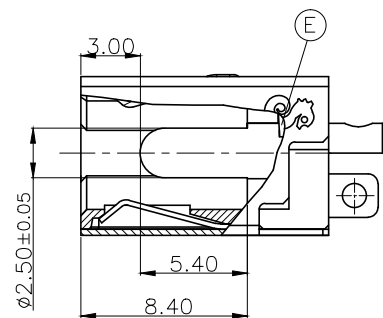
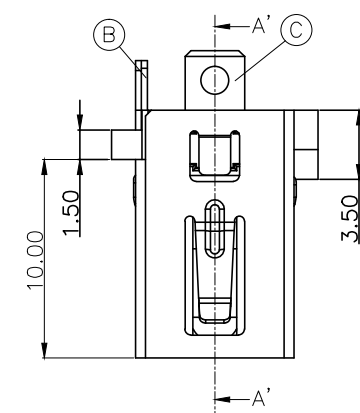


| | | | |
|------|-----------------------|---------|------------|
| REV. | ECN NO OR DESCRIPTION | REVISED | DATE |
| A | PDR NO: T230201-1A | Kesheng | 2023.09.25 |



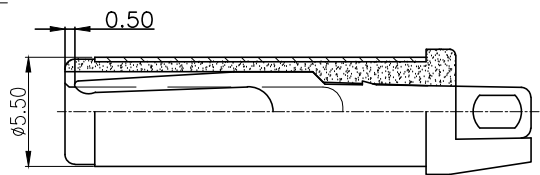
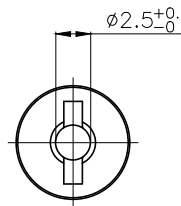
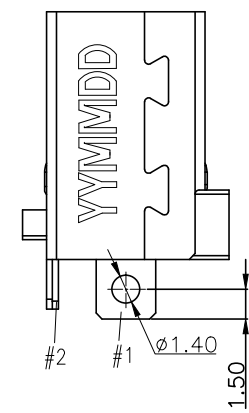
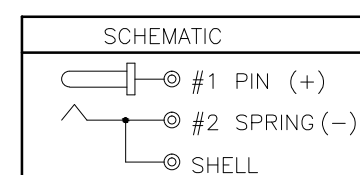
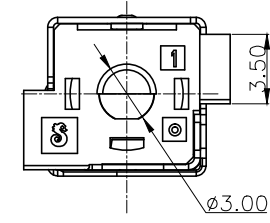
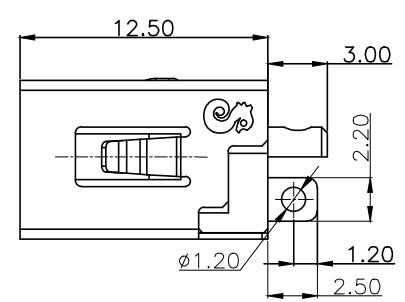
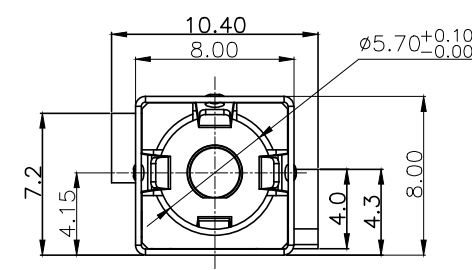
SPECIFICATIONS:

- ELECTRICAL CHARACTERISTICS:
 - 1-1. RATING: 20V 7A
 - 1-2. CONTACT RESISTANCE: 30mΩ MAX.(INITIAL)
 - 1-3. DIELECTRIC WITHSTANDING VOLTAGE: 500V AC FOR ONE MINUTE.
 - 1-4. INSULATION RESISTANCE: 100MΩ MIN. MEASURED BY 500 VDC
- MECHANICAL CHARACTERISTICS:
 - 2-1. INSERTION FORCE(INITIAL) : 3.0 KG MAX.
 - 2-2. WITHDRAWAL FORCE(INITIAL) : 0.5 KG MIN.
- LIFE TEST: 5000 CYCLES MIN.
- TO CONFORM TO SINGATRON HAZARDOUS SUBSTANCE FREE SPEC.
- GREEN PRODUCT IDENTIFICATION MARK ON JACK:
- GREEN PRODUCT IDENTIFICATION LABEL ON PACKAGING:
- PRINTED DATE CODE "YYMMDD" ON TOP OF CONNECTOR.

DD: DAY

MM: MONTH

YY: YEAR



$\phi 5.5$ MATING PLUG(TOLERANCES:±0.10)

| E | STOPPER | 1 | HIGH TEMP. THERMOPLASTIC,UL94V-0 | BLACK |
|----|-------------|-----|----------------------------------|---|
| D | SHELL | 1 | COPPER ALLOY T=0.30 | Ni 60u" Min. plating over all. |
| C | PIN | 1 | BRASS | Ni 60u" Min. plating over all. |
| B | SPRING | 1 | COPPER ALLOY T=0.25 | Au 1u" Min. on Contact Area. Sn 100u" Min. on Solder Tail. all over Nickel 50u" Min. plating. |
| A | BODY | 1 | THERMOPLASTIC;UL94V-0 | BLACK |
| NO | DESCRIPTION | QTY | MATERIAL | PLATING & COLOR |

| | | | |
|---------------------------------------|----------|--|-----------------------------------|
| UNLESS OTHERWISE SPECIFIED TOLERANCES | | Singatron Enterprise Co., Ltd. 信音企業股份有限公司 | |
| DECIMALS: | ANGLES: | TITLE: DC POWER JACK | |
| X :±0.5 | X :±2° | DWN | Kesheng PART NO. 2DC3051-005111F |
| X.X :±0.3 | X.X :±1° | CHKD | Boye SCALE:4:1 UNIT: mm |
| X.XX :±0.2 | | APVD | Liao SIZE: A3 SHEET:1 OF 1 REV: A |
| CUSTOMER COPY | | | |