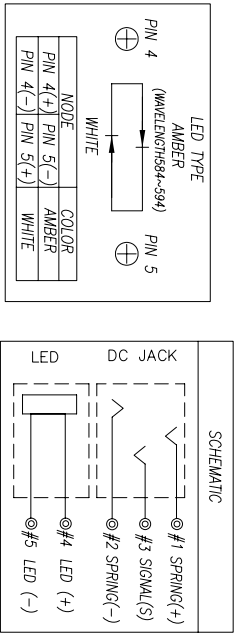
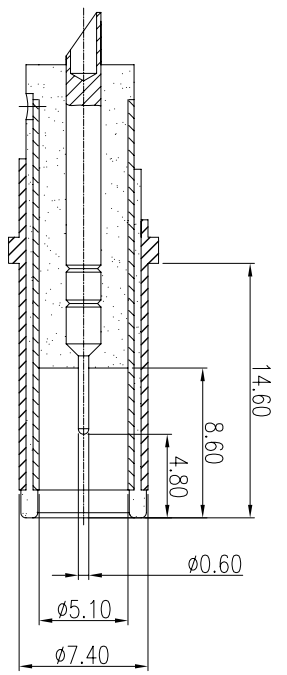
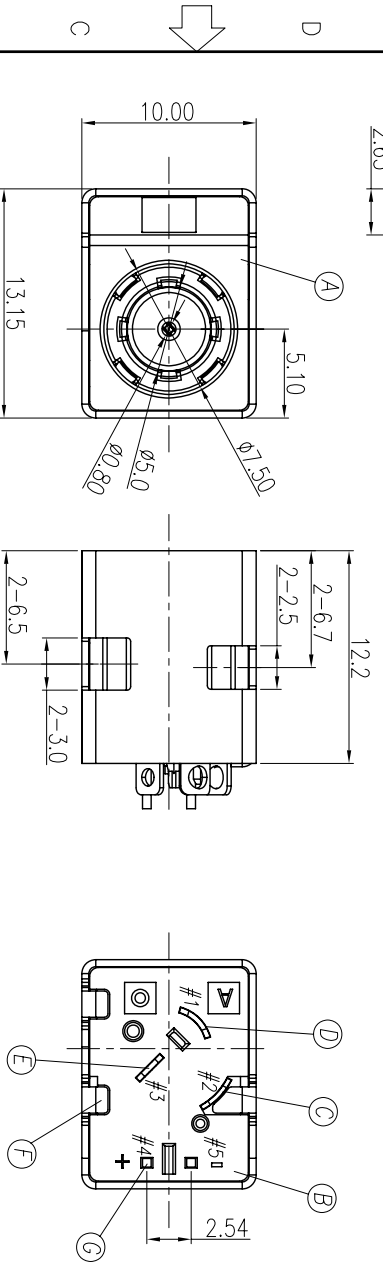
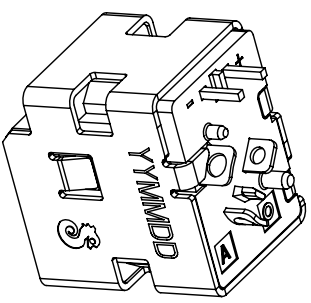


REV.	ECN NO.	OR DESCRIPTION	REVISED	DATE
A	PDR NO: T110818-3A		QIANG	2011.11.22
B	ECN NO: S120489		SEAN	2012.07.17

SPECIFICATIONS:

- ELECTRICAL CHARACTERISTICS:
 - RATING: 20V DC 10A
 - CONTACT RESISTANCE: $30m\Omega$ MAX.(INITIAL)
 - JACK SHALL WITHSTAND 500 V AC BETWEEN ANY ADJACENT TERMINAL(EXCEPT LED) FOR ONE MINUTE.
 - INSULATION RESISTANCE: $100M\Omega$ MIN. MEASURED BY 500 V DC
- MECHANICAL CHARACTERISTICS:
 - INSERTION FORCE : 3.0 KGF MAX
 - WITHDRAWAL FORCE : 0.3 KGF MIN. (INITIAL)
 - LIFE TEST: 5,000 CYCLES MIN.
 - TO CONFORM TO SINGATRON HAZARDOUS SUBSTANCE FREE SPEC.
 - HALOGEN FREE PRODUCT IDENTIFICATION MARK ON JACK:
 - HALOGEN FREE PRODUCT IDENTIFICATION LABEL ON PACKAGING:
 - FOR HAND SOLDERING LEAD-FREE PROCESS.
 - PRINTED DATE CODE "YYMMDD" ON TOP OF CONNECTOR.
(YY:YEAR MM:MONTH DD:DAY)



LED Soldering Condition:

Peak temperature	Dwell time
SOLDERING IRON 350 °C Max.	3 sec Max.
	(ONE TIME ONLY)

G	LED	1	GaN/SiC	WHITE/AMBER(584~594) LIGHT
F	SHELL	1	SPCC-SD 0.40T	Ni 60u" OVER Cu 80u" Min.
E	SIGNAL	1	COPPER ALLOY 0.30T	GOLD FLASH ON CONTACT AREA
D	SPRING(+)	1	COPPER ALLOY 0.30T	Sn 120u" ON SOLDER TAIL;
C	SPRING(-)	1	COPPER ALLOY 0.25T	ALL OVER Ni 50u"
B	COVER	1	THERMOPLASTIC UL 94V-0	BLACK
A	HOUSING	1		
NO	DESCRIPTION	QTY	MATERIAL	PLATING & COLOR

UNLESS OTHERWISE SPECIFIED TOLERANCES

Singatron Enterprise Co., Ltd.
 信管企業股份有限公司

DECIMALS:	ANGLES:	TITLE
X : ±0.5	X : ±2°	DC POWER JACK + LED
X.X : ±0.3	X.X : ±1°	DWN SEAN
X.XX : ±0.2		TOM SCALE: 4:1
		UNIT: mm
		QUAN SIZE: A3
		SHEET: 1 OF 1
		REV: B

CUSTOMER COPY