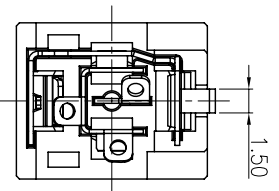
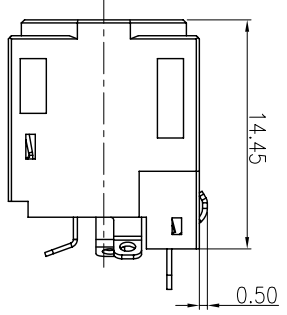
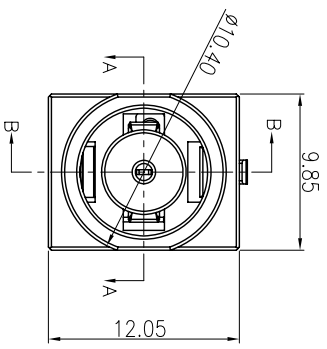
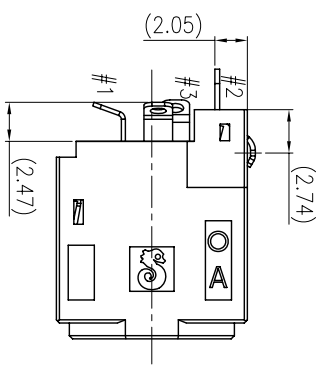
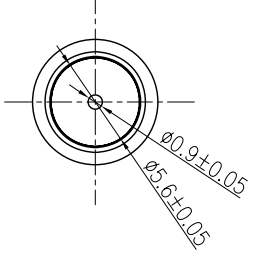
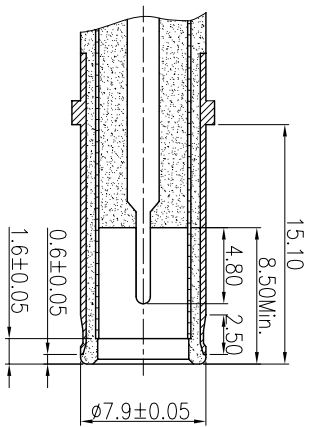
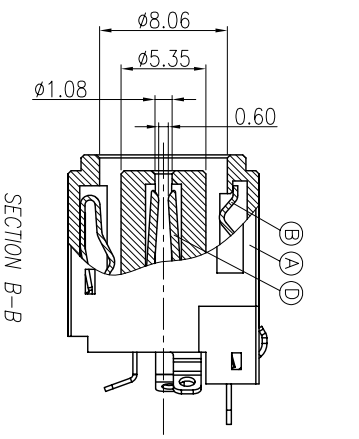
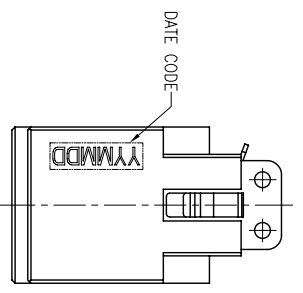
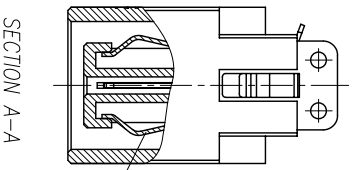
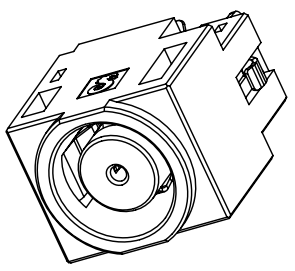
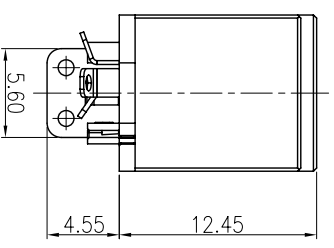
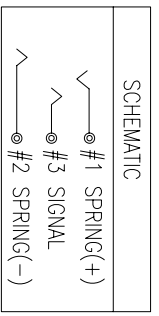
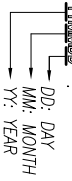


REV.	ECN NO. OR DESCRIPTION	REVISED	DATE
A	PDR NO. T111110-7A	Smile	2012.03.26
B	ECN NO. S120587	ANDY	2012.06.21



- SPECIFICATIONS:**
- ELECTRICAL CHARACTERISTICS:
    - RATING: 20V 7A
    - CONTACT RESISTANCE: 30mΩ MAX.
    - DIELECTRIC WITHSTANDING VOLTAGE: 500V AC FOR ONE MINUTE.
    - INSULATION RESISTANCE: 100MΩ MIN. MEASURED BY 500 VDC.
  - MECHANICAL CHARACTERISTICS:
    - INSERTION FORCE: 3.0kgf MAX.
    - WITHDRAWAL FORCE: 0.7~3.0kgf.
    - LIFE TEST: 5,000 CYCLES MIN.
    - TO CONFORM TO SINGATON HAZARDOUS SUBSTANCE FREE SPEC.
    - GREEN PRODUCT IDENTIFICATION MARK ON JACK:
    - GREEN PRODUCT IDENTIFICATION LABEL ON PACKAGING:
    - FOR HAND SOLDERING LEAD-FREE PROCESS.
    - PRINTED DATE CODE "YYMMDD".



NO	DESCRIPTION	QTY	MATERIAL	PLATING & COLOR
D	SIGNAL	1	COPPER ALLOY 0.30T	GOLD FLASH ON CONTACT AREA
C	SPRING(+)	1	COPPER ALLOY 0.25T	Sn 120μ ON SOLDER TAIL
B	SPRING(-)	1	COPPER ALLOY 0.30T	ALL OVER Ni50μ
A	HOUSING	1	HIGH TEMP. THERMOPLASTIC UL94V-0	YELLOW

UNLESS OTHERWISE SPECIFIED TOLERANCES

DECIMALS:	ANGLES:
X : ±0.5	X : ±2°
X.X : ±0.3	X.X : ±1'
X.XX : ±0.2	

TITLE	DC POWER JACK
DWN	ANDY
CHKD	TOM
APVD	TONY

**PART NO. 2DC3062-000151F**

SCALE: 4:1 UNIT: mm

SIZE: A3 SHEET: 1 OF 1 REV: B

**CUSTOMER COPY**

Singaton Enterprise Co., Ltd.  
信音企業股份有限公司