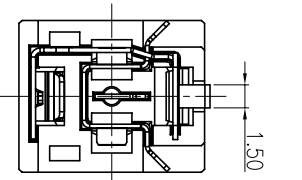
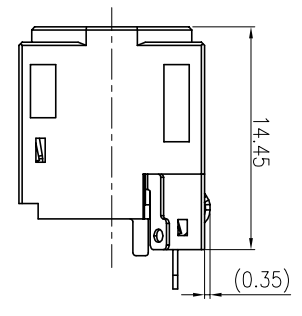
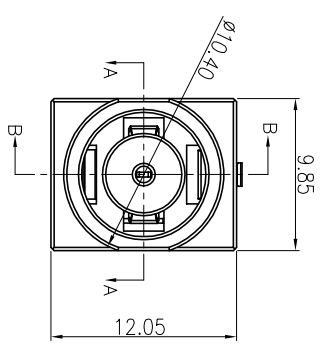
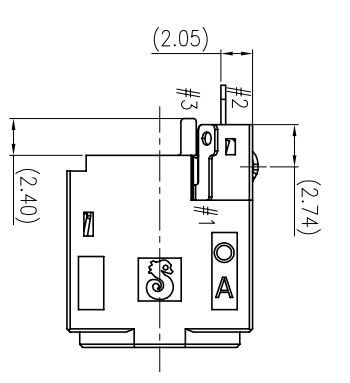
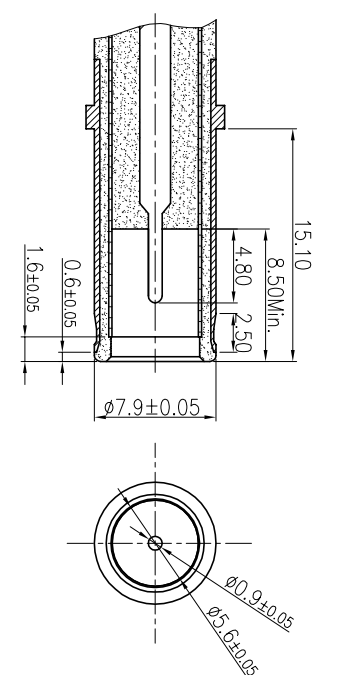
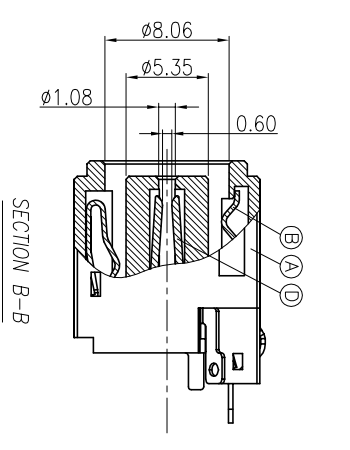
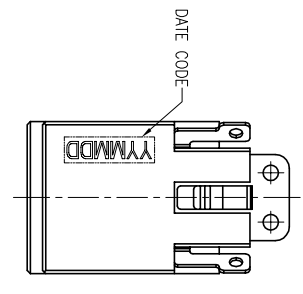
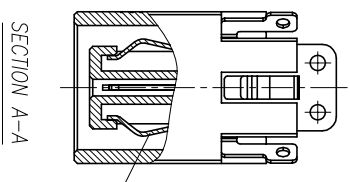
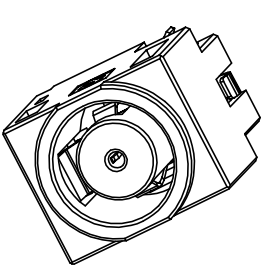
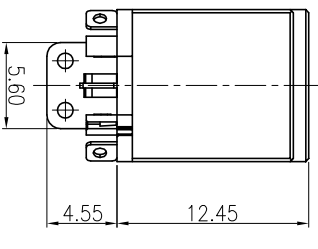
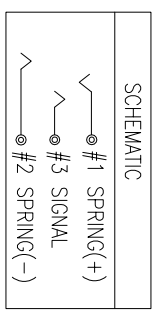
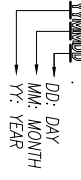


REV.	ECN NO OR DESCRIPTION	REVISED	DATE
A	PDR NO. T111214-10A	Smile	2012.03.26
B	ECN NO. S120715	ANDY	2012.08.15



- SPECIFICATIONS:
- ELECTRICAL CHARACTERISTICS:
 - 1-1. RATING: 20V 7A
 - 1-2. CONTACT RESISTANCE: 30mΩ MAX
 - 1-3. DIELECTRIC WITHSTANDING VOLTAGE: 500V AC FOR ONE MINUTE.
 - 1-4. INSULATION RESISTANCE: 100MΩ MIN. MEASURED BY 500 VDC
 - MECHANICAL CHARACTERISTICS:
 - 2-1. INSERTION FORCE: 3.0Kgf MAX.
 - 2-2. WITHDRAWAL FORCE: 0.7~3.0Kgf.
 3. LIFE TEST: 5,000 CYCLES MIN.
 4. TO CONFORM TO SINGATRON HAZARDOUS SUBSTANCE FREE SPEC.
 5. GREEN PRODUCT IDENTIFICATION MARK ON JACK:
 6. GREEN PRODUCT IDENTIFICATION LABEL ON PACKAGING:
 7. FOR HAND SOLDERING LEAD-FREE PROCESS.
 8. PRINTED DATE CODE "YYMMDD".



NO	DESCRIPTION	QTY	MATERIAL	PLATING & COLOR
D	SIGNAL	1	COPPER ALLOY 0.30T	GOLD FLASH ON CONTACT AREA
C	SPRING(+)	1	COPPER ALLOY 0.25T	Sn 1200" ON SOLDERTAL
B	SPRING(-)	1	COPPER ALLOY 0.30T	ALL OVER WISOU"
A	HOUSING	1	HIGH TEMP. THERMOPLASTIC UL94V-0	YELLOW

UNLESS OTHERWISE SPECIFIED TOLERANCES

Singatron Enterprise Co., Ltd.
信晉企業股份有限公司

DC POWER JACK

PART NO. 2DC3062-001151F

SCALE: 4:1 UNIT: mm

SIZE: A3 SHEET: 1 OF 1 REV: B

CUSTOMER COPY