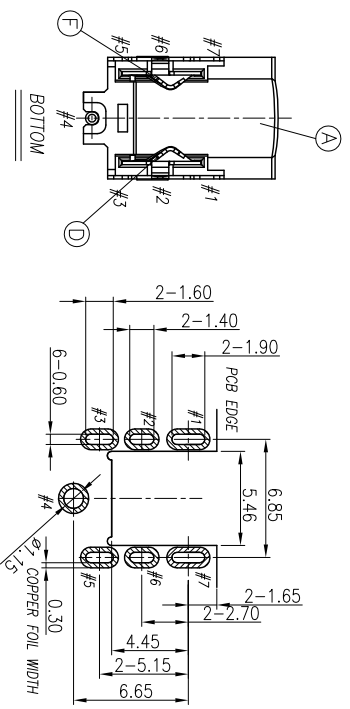
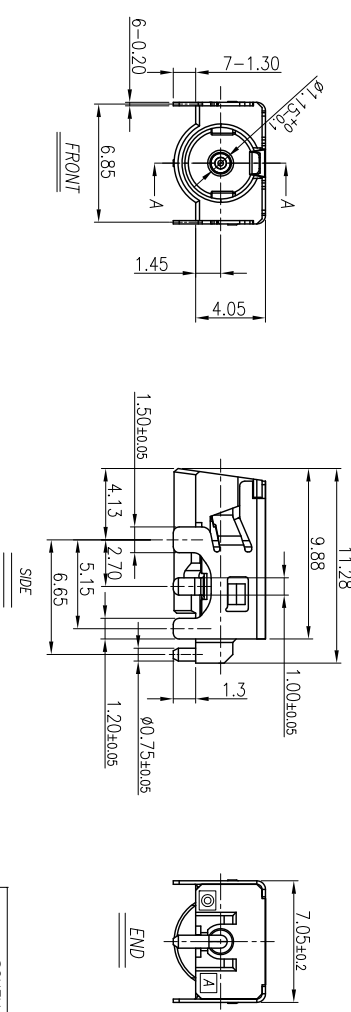
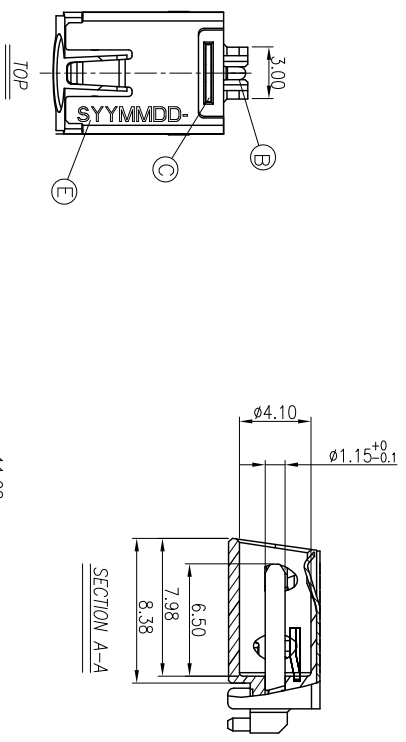
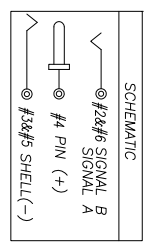
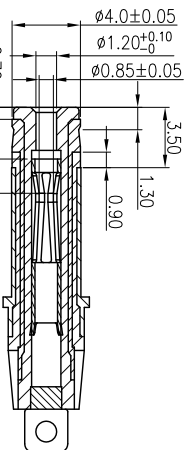


REV.	ECN NO.	OR DESCRIPTION	REVISED	DATE
A	PDR NO: T130311-11A	Summer	2013.07.25	



RECOMMEND P.C.B LAYOUT
(TOLERANCES:±0.05)



ITEM	DESCRIPTION	QTY	MATERIAL/THICK(mm)	FINISH
F	SIGNAL A	1	COPPER ALLOY 0.20T	GOLD FLASH OVER N: 50u"
E	SHELL	1	COPPER ALLOY 0.20T	Au 1u" ON SOLDER TAIL OVER N: 50u"
D	SIGNAL B	1	COPPER ALLOY 0.20T	GOLD FLASH OVER N: 50u"
C	TERMINAL	1	STAINLESS STEEL 0.30T	N/A
B	PIN	1	COPPER ALLOY	GOLD FLASH OVER N: 50u"
A	BODY	1	HIGH TEMP.THERMOPLASTIC UL94V-0	BLACK

UNLESS OTHERWISE SPECIFIED TOLERANCES

DECIMALS: ANGLES:

X :±0.5 X :±2°
X.X :±0.3 X.X :±1°
X.XX :±0.2

TITLE: DC POWER JACK

DWG: Summer PART NO. 2DC3064-013111F
CHKD: Sky SCALE 4:1 UNIT: mm
APVD: Lussen SIZE: A3 SHEET: 1 OF 1 REV: A

Singatron Enterprise Co., Ltd.
信安企業股份有限公司

CUSTOMER COPY

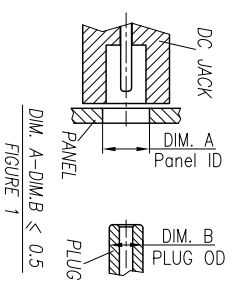


FIGURE 1

- SPECIFICATIONS:
- Electrical Spec:
 - Rated Current: 5A
 - Rated Voltage: 20V
 - Insulation Resistance: 100MΩ MIN. After By 500 VDC for 1 minute
 - Dielectric Withstanding Voltage: 500V AC for 1 minute.
 - Contact Resistance: 30mΩ Max.
 - Mechanical Spec:
 - Insertion Force: 1.0~2.5 kg.(Initial) 0.8~2.3 kg.(After Life Test)
 - Withdrawal Force : 0.8~2.0kg.(Initial) 0.6~2.0kg.(After Life Test)
 - Temperature Rise Can't Exceed 30°
 - Weight: 570m Gram.
 - Life Test(Insertion/Withdrawal): 5,000 Cycles Min.
 - To Conform To SINGATRON Hazardous Substance Free Spec.
 - Halogen Free Product Identification Mark On Jack: (S)
 - Halogen Free Product Identification Label On Packaging (S)
 - For Reflow Soldering Lead-Free Process.
 - Printed Date Code "SYMMDD" on top of connector.
11. THE PANEL'S ID MUST BE GREATER THAN THE PLUG'S OD WHICH MUST HAVE A DIFFERENCE OF LESS THAN OR EQUAL TO 0.5 mm.(AS SHOWN IN FIGURE 1.)
- DC JACK: DIM. A - DIM. B ≤ 0.5
- PLUG: DIM. B - DIM. A ≤ 0.5
- YY: YEAR
MM: MONTH
DD: DAY
SINGATRON