

REV.	ECN NO OR DESCRIPTION	REVISED	DATE
A	PDR NO:T130408-2A	Summer	2013.08.13
B	ECN NO:S131040	SEAN	2014.04.14

SPECIFICATIONS:

1. Electrical Spec:
 - 1-1. Rated Current: 5A
 - 1-2. Rated Voltage: 20V
 - 1-3. Insulation Resistance: 100MΩ MIN. After By 500 VDC for 1 minute
 - 1-4. Dielectric Withstanding Voltage: 500V AC for 1 minute.
 - 1-5. Contact Resistance: 30mΩ Max.
2. Mechanical Spec:
 - 2-1. Insertion Force: 1.0~2.5 kg (Initial) 0.8~2.3 kg (After Life Test)
 - 2-2. Withdrawal Force : 0.8~2.0kg.(Initial) 0.6~2.0kg(After Life Test)
 3. Temperature Rise Can't Exceed 30°
 4. Weight: 0.9 Gram.
 5. Life Test(Insertion/Withdrawal): 5,000 Cycles Min.
 6. To Conform To SINGATRON Hazardous Substance Free Spec.
 7. Halogen Free Product Identification Mark On Jack:
 8. Halogen Free Product Identification Label On Packaging:
 9. For Reflow Soldering Lead-Free Process.
 10. THE PANEL'S ID MUST BE GREATER THAN THE PLUG'S OD WHICH MUST HAVE A DIFFERENCE OF LESS THAN OR EQUAL TO 0.5 mm.(AS SHOWN IN FIGURE 1.)

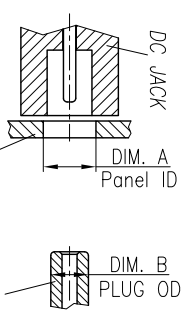
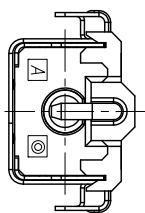
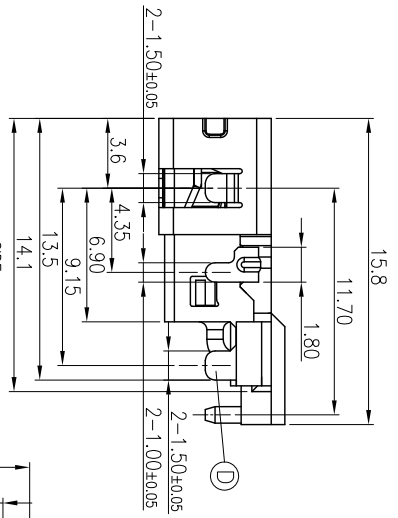
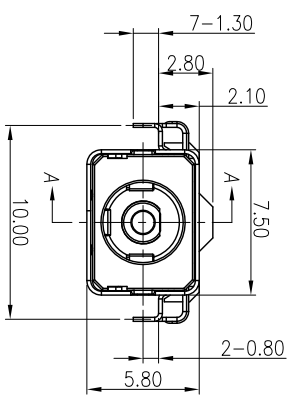
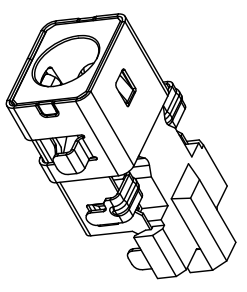
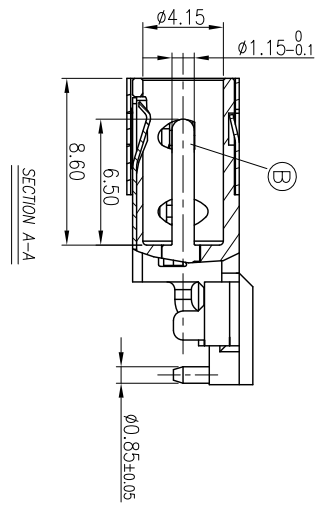
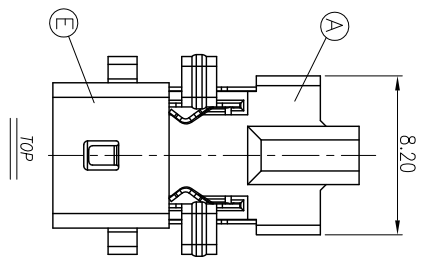
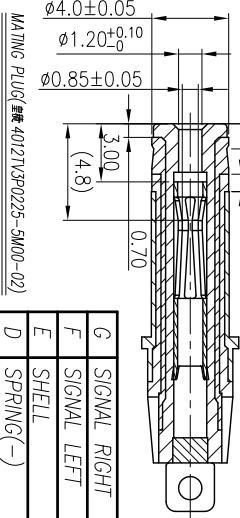
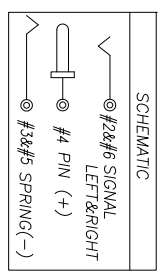
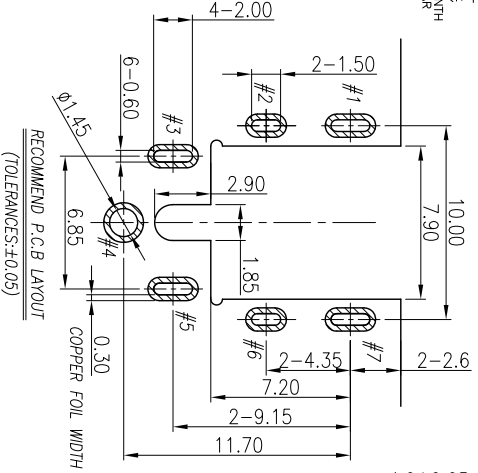
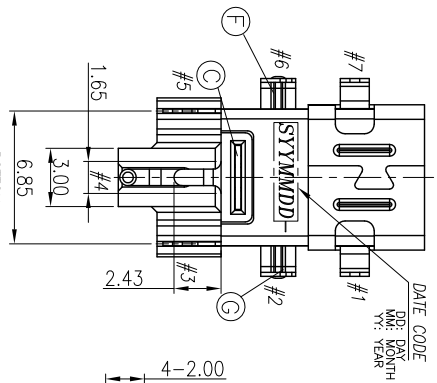


FIGURE 1



MAINING PLUG(零件号:40121V3F0225-5M00-02)
TOLERANCE:XXX0.10



ITEM	DESCRIPTION	QTY	MATERIAL	PLATING & COLOR
A	BODY	1	COPPER ALLOY	GOLD FLASH OVER NI 50U"
B	PIN(+)	1	COPPER ALLOY	BLACK
C	TERMINAL	1	STAINLESS STEEL 0.30T	N/A
D	SPRING(-)	1	COPPER ALLOY 0.20T	NI 60U"
E	SHELL	1	STAINLESS STEEL 0.20T	NI 60U"
F	SIGNAL LEFT	1	COPPER ALLOY 0.20T	SN 80U"Min.OVER NI 50U"Min.
G	SIGNAL RIGHT	1	COPPER ALLOY 0.20T	SN 80U"Min.OVER NI 50U"Min.

UNLESS OTHERWISE SPECIFIED TOLERANCES

DECIMALS: ANGLES:

X	:±0.5	X	:±2°
X.X	:±0.3	X.X	:±1°
X.XX	:±0.2		

TITLE	DC POWER JACK
DWN	SEAN PART NO. 2DC3064-016111F
CHKD	CERRY SCALE 4:1 UNIT: mm
APVD	MAX SIZE: A3 SHEET: 1 OF 1 REV: B

CUSTOMER COPY

Singaton Enterprise Co., Ltd.
信音企業股份有限公司