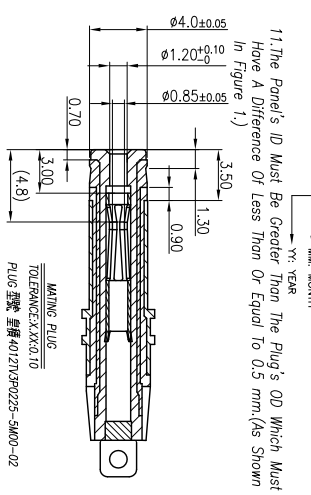
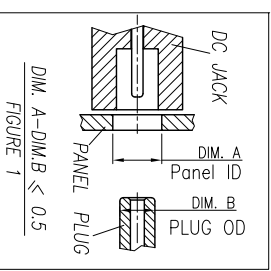
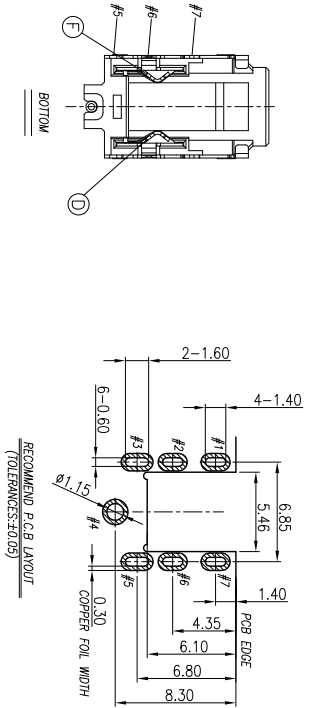
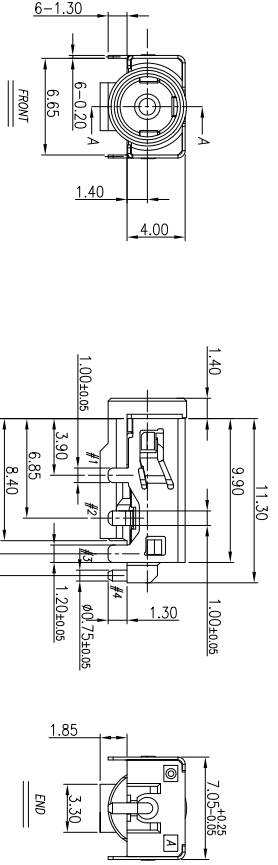
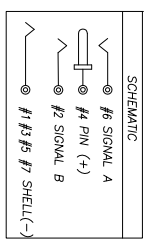
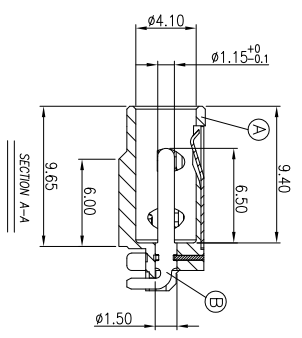
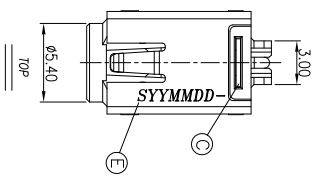


REV. A	ECN NO. OR DESCRIPTION PDR NO.T131122-3A	Requested SINGATRON-Yang	REVISED Yang	DATE 2014.03.10
--------	--	--------------------------	--------------	-----------------



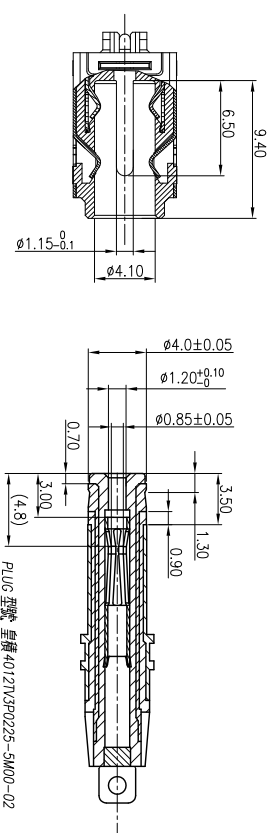
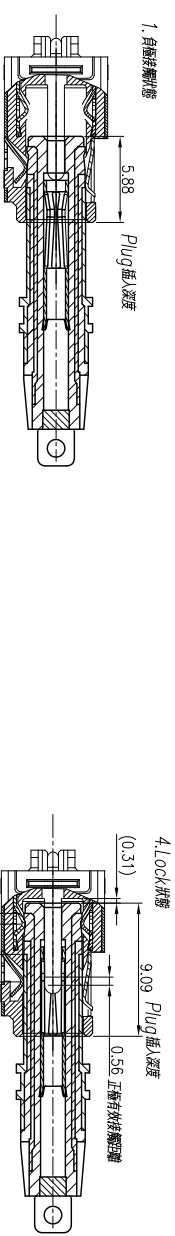
- 11 The Panel's ID Must Be Greater Than The Plug's OD Which Must Have A Difference Of Less Than Or Equal To 0.5 mm.(As Shown In Figure 1)
- SYMMDD
- YY: YEAR
DD: DAY
MM: MONTH
- SINGATRON
- SPECIFICATIONS:
1. Electrical Spec:
 - 1-1. Rated Current: 5.0A
 - 1-2. Rated Voltage: 20V
 - 1-3. Insulation Resistance: 100MΩ MIN. After By 500 VDC for 1 minute
 - 1-4. Dielectric Withstanding Voltage: 500V AC for 1 minute.
 - 1-5. Contact Resistance: 30mΩ Max.
 2. Mechanical Spec:
 - 2-1. Insertion Force: 1.0~2.5 kg.(Initial) 0.8~2.3 kg.(After Life Test)
 - 2-2. Withdrawal Force : 0.8~2.0kg.(Initial) 0.6~2.0kg.(After Life Test)
 3. Temperature Rise Can't Exceed 30°
 4. Weight: 580mg.
 5. Life Test(Insertion/Withdrawal): 5,000 Cycles Min.
 6. To Conform To SINGATRON Hazardous Substance Free Spec.
 7. Halogen Free Product Identification Mark On Jack:
 8. Halogen Free Product Identification Label On Packaging
 9. For Reflow Soldering Lead-Free Process.
 10. Printed Date Code"SYMMDD" on top of connector.

ITEM	DESCRIPTION	QTY	MATERIAL/THICK(mm)	FINISH
F	SIGNAL A	1	YCUT-FX 0.20T	GOLD FLASH OVER Ni 50U"
E	SHELL	1	C5210 0.20T	Au 1μ" ON SOLDER TAIL OVER Ni 50U"
D	SIGNAL B	1	YCUT-FX 0.20T	GOLD FLASH OVER Ni 50U"
C	TERMINAL	1	SUS304 0.30T	N/A
B	PIN	1	HB159	GOLD FLASH OVER Ni 50U"
A	BODY	1	PA6T +30%GF UL 94V-0	BLACK

UNLESS OTHERWISE SPECIFIED TOLERANCES		Singatron Enterprise Co., Ltd. 信音企業股份有限公司	
DECIMALS:	ANGLES:	DC POWER JACK	
X : ±0.5	X : ±2°	DWN	Yang
X.X : ±0.3	X.X : ±1°	CHKD	Sky
X.XX : ±0.2		APVD	Lussen
		SCALE 4:1 UNIT: mm	
		SIZE: A3 SHEET: 1 OF 2	
		REV: A	

CUSTOMER COPY

REV.	ECN NO. OR DESCRIPTION	Requested	REVISED	DATE
A	PDR NO. T131122-3A	SINGATRON-Yang	Yang	2014.03.10



NO	DESCRIPTION	QTY	MATERIAL	PLATING & COLOR
UNLESS OTHERWISE SPECIFIED TOLERANCES				
DECIMALS: ANGLES:				
X	:±0.5	X	:±2°	
X.X	:±0.3	X.X	:±1°	
X.XX	:±0.2			
TITLE				
DWN	Yang	PART NO. 2DC3064-028111F		
CHKD	Sky	SCALE 4:1 UNIT: mm		
APVD	Lussen	SIZE: A3 SHEET: 2 OF 2 REV: A		

CUSTOMER COPY