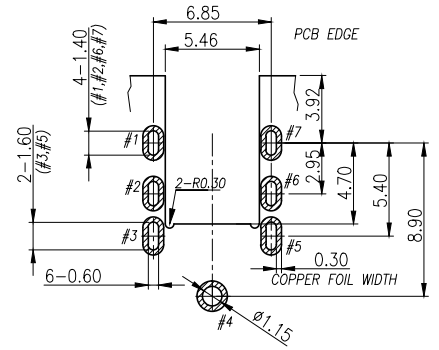
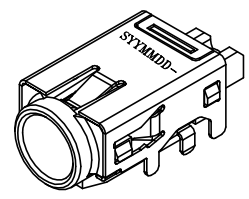
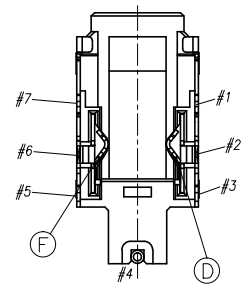
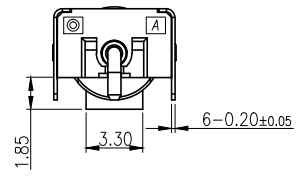
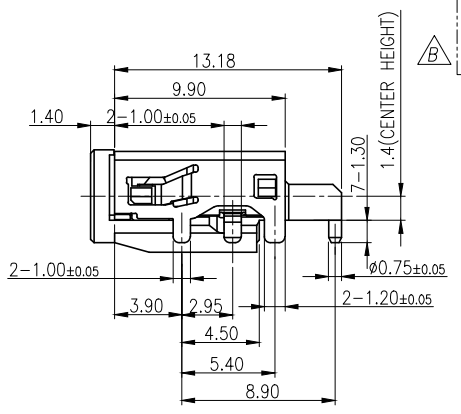
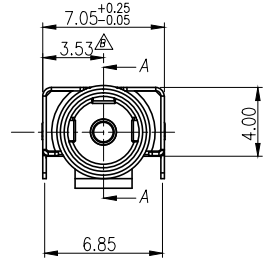
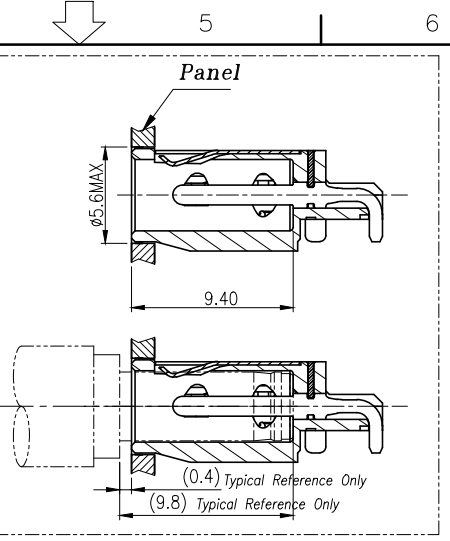
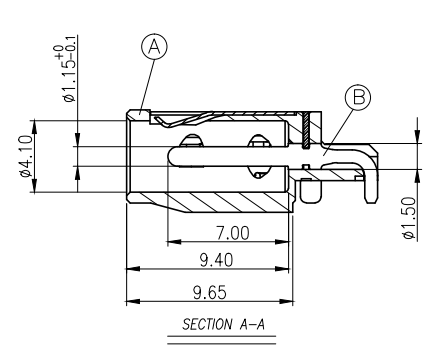
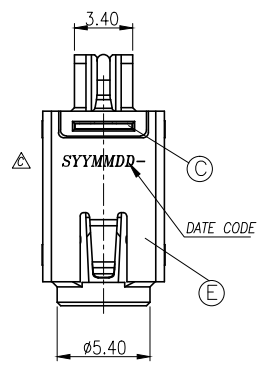


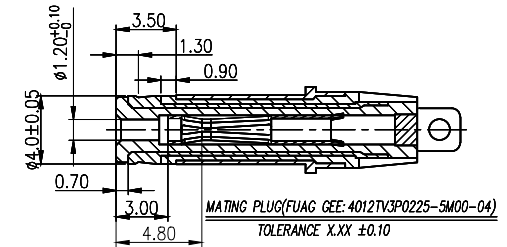
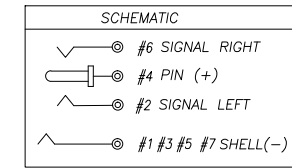
1 2 3 4 5 6



RECOMMEND P.C.B LAYOUT
TOP VIEW (TOLERANCES:±0.05)

REV.	ECN NO OR DESCRIPTION	REVISED	DATE
A	PDR NO.T131121-2A	Ron	2014.04.14
B	ECN NO.S150747-C	YUREN	2015.09.11
C	ECN NO.S170136-E	YUREN	2017.2.27

- SPECIFICATIONS:
- ELECTRICAL CHARACTERISTICS:
 - RATING: 20V 5A
 - CONTACT RESISTANCE: 15mΩ MAX.
 - DIELECTRIC WITHSTANDING VOLTAGE: 500V AC FOR ONE MINUTE.
 - INSULATION RESISTANCE: 100MΩ MIN. MEASURED BY 500 VDC
 - MECHANICAL CHARACTERISTICS:
 - INSERTION FORCE : 0.8~2.5 kgf.(INITIAL) 0.8~2.5 kgf.(AFTER LIFE TEST)
 - WITHDRAWAL FORCE : 0.6~2.0kgf.(INITIAL) 0.6~2.0kgf.(AFTER LIFE TEST)
 - TEMPERATURE RISE CAN'T EXCEED 30°C
 - LIFE TEST: 8,000 CYCLES MIN.
 - WEIGHT: 0.542g.
 - TO CONFORM TO SINGATRON HAZARDOUS SUBSTANCE FREE SPEC.
 - HALOGEN FREE PRODUCT IDENTIFICATION MARK ON JACK:
 - HALOGEN FREE PRODUCT IDENTIFICATION LABEL ON PACKAGING:
 - FOR HAND SOLDERING LEAD-FREE PROCESS.
 - PRINTED DATE CODE"SYMMDD" ON TOP OF CONNECTOR.
 - DD: DAY
 - MM: MONTH
 - YY: YEAR



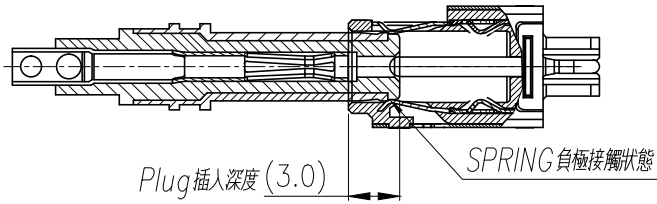
ITEM	DESCRIPTION	QTY	MATERIAL	PLATING & COLOR
F	SIGNAL RIGHT	1	TITANIUM COPPER(YCUT-FX)	GOLD FLASH OVER Ni 50u"
E	SHELL	1	PHOSPHOR BRONZE(C5210)	Au 1u" ON SOLDER TAIL OVER Ni 50u"
D	SIGNAL LEFT	1	TITANIUM COPPER(YCUT-FX)	GOLD FLASH OVER Ni 50u"
C	TERMINAL	1	STAINLESS STEEL(SUS304)	N/A
B	PIN	1	BRASS BAR (HB159-1.5B)	GOLD FLASH OVER Ni 50u"
A	BODY	1	(PA6T) UL94V-0	BLACK

UNLESS OTHERWISE SPECIFIED TOLERANCES		SINGATRON ENTERPRISE CO., LTD. 信音企業股份有限公司	
DECIMALS:	ANGLES:	TITLE: DC POWER JACK	
X : ±0.5	X : ±2°	DWN	YUREN PART NO. 2DC3064-030111F
X.X : ±0.3	X.X : ±1°	CHKD	CERRY SCALE 4:1 UNIT: mm
X.XX : ±0.2		APVD	LIAO SIZE: A3 SHEET: 1 OF 2 REV: C
CUSTOMER COPY			

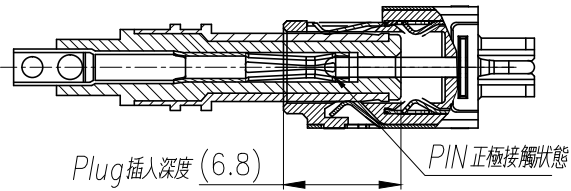
1 2 3 4 5 6 7 8

REV.	ECN NO OR DESCRIPTION	REVISED	DATE
A	PDR NO.T131121-2A	Ron	2014.04.14
B	ECN NO.S150747-C	YUREN	2015.09.11
C	ECN NO.S170136-E	YUREN	2017.2.27

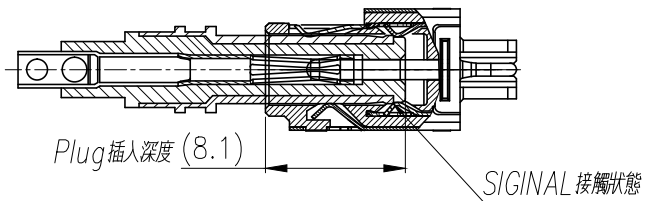
1. 負極接觸狀態



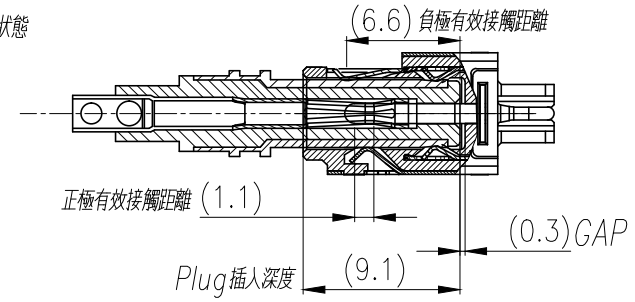
2. 正極接觸狀態



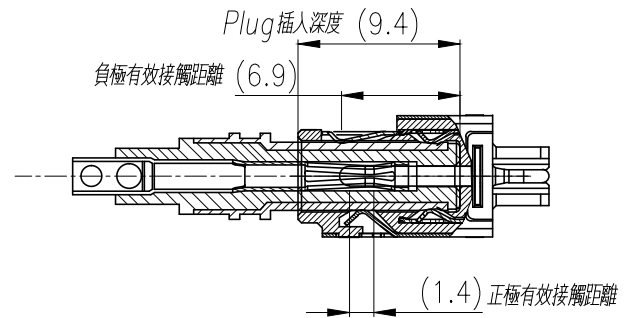
3. SIGNAL 接觸狀態



4. Lock 狀態



5. Plug 插至定位狀態



ITEM	DESCRIPTION	QTY	MATERIAL	PLATING & COLOR
UNLESS OTHERWISE SPECIFIED TOLERANCES			Singatron Enterprise Co., Ltd. 信音企業股份有限公司	
DECIMALS: X :±0.5 X.X :±0.3 X.XX :±0.2		ANGLES: X :±2° X.X :±1°		TITLE DC POWER JACK_MATING DRAWING
DWN	YUREN	PART NO. 2DC3064-030111F		
CHKD	CERRY	SCALE 4:1	UNIT: mm	
APVD	LIAO	SIZE: A3	SHEET: 2 OF 2	
REV: C				
CUSTOMER COPY				