

REV.	ECN NO OR DESCRIPTION	REVISED	DATE
A	PDR NO.T140414-4A	Allen	2014.09.25
B	ECN NO.S150747-C	YUREN	2015.09.11

**SPECIFICATIONS:**

1. ELECTRICAL CHARACTERISTICS:  
 1-1. RATING: 20V 5A  
 1-2. CONTACT RESISTANCE: 15mΩ MAX.  
 1-3. DIELECTRIC WITHSTANDING VOLTAGE: 500V AC FOR ONE MINUTE.  
 1-4. INSULATION RESISTANCE: 100M Ω·MIN. MEASURED BY 500 VDC

2. MECHANICAL CHARACTERISTICS:  
 2-1. INSERTION FORCE : 0.8~2.5kgf (INITIAL) 0.8~2.5kgf (AFTER LIFE TEST)  
 2-2. WITHDRAWAL FORCE : 0.6~2.0kgf (INITIAL) 0.6~2.0kgf (AFTER LIFE TEST)

3. TEMPERATURE RISE CAN'T EXCEED 30°C

4. LIFE TEST: 8,000 CYCLES MIN.

5. WEIGHT: 0.67g

6. TO CONFORM TO SINGATRON HAZARDOUS SUBSTANCE FREE SPEC.

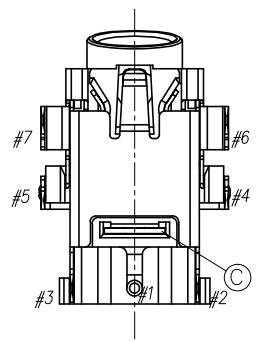
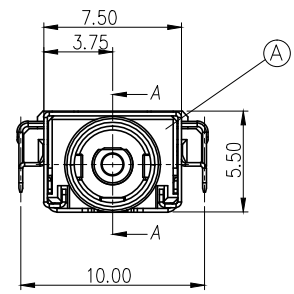
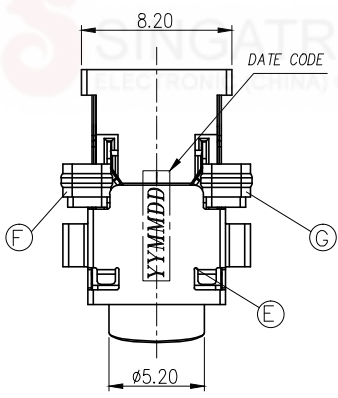
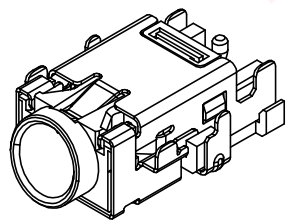
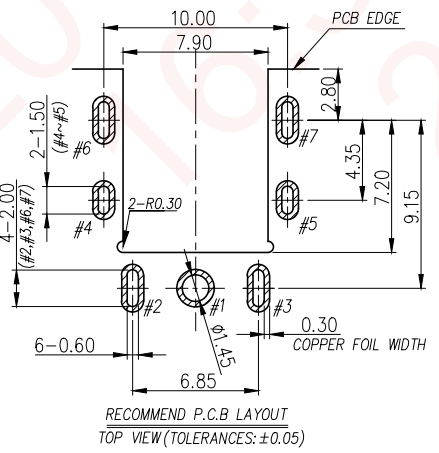
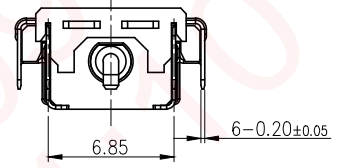
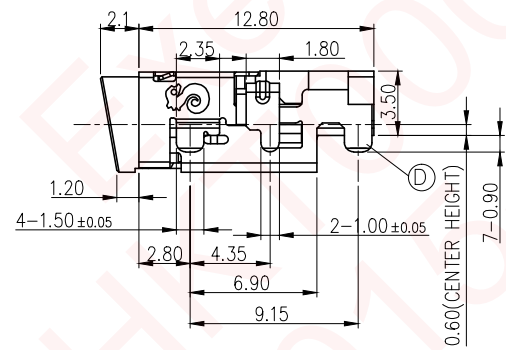
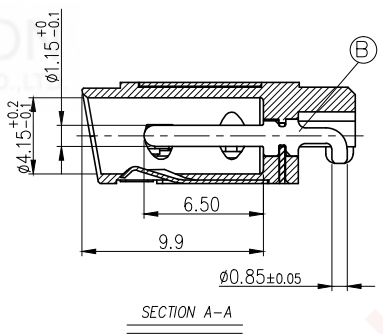
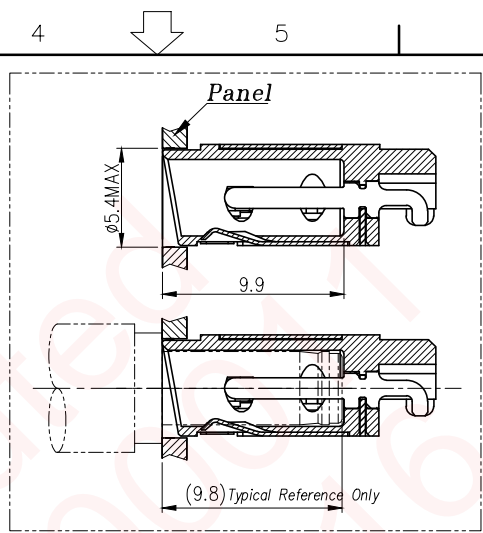
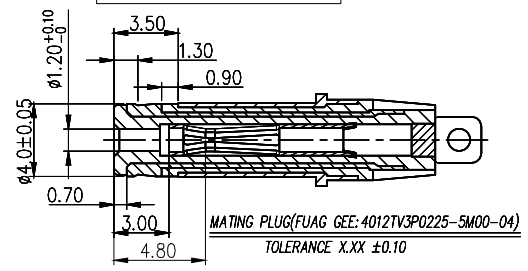
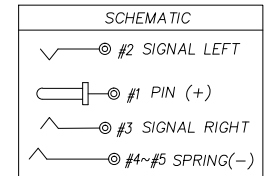
7. HALOGEN FREE PRODUCT IDENTIFICATION MARK ON JACK:

8. HALOGEN FREE PRODUCT IDENTIFICATION LABEL ON PACKAGING:

9. FOR REFLOW SOLDERING LEAD-FREE PROCESS.

10. PRINTED DATE CODE "YYMMDD" ON TOP OF CONNECTOR.

SINGATRON DD: DAY  
MM: MONTH  
YY: YEAR

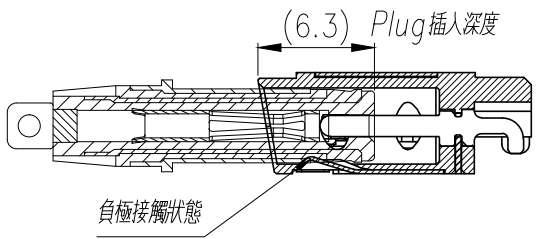


G	SIGNAL LEFT	1	TITANIUM COPPER(YCUT-FX)	SN 80u"Min, OVER Ni 50u"Min.
F	SIGNAL RIGHT	1	TITANIUM COPPER(YCUT-FX)	SN 80u"Min, OVER Ni 50u"Min.
E	SHELL	1	STAINLESS STEEL(SUS430)	Ni 60u"
D	SPRING(-)	1	PHOSPHOR BRONZE(C5210)	Ni 60u"
C	TERMINAL	1	STAINLESS STEEL(SUS304)	N/A
B	PIN(+)	1	BRASS BAR (HBI59-1.5B)	GOLD FLASH OVER Ni 50u"
A	BODY	1	(PA4T) UL94V-0	BLACK
ITEM	DESCRIPTION	QTY	MATERIAL	PLATING & COLOR
UNLESS OTHERWISE SPECIFIED TOLERANCES			Singatron Enterprise Co., Ltd. 信音企業股份有限公司	
DECIMALS:		ANGLES:		
X	:±0.5	X	:±2°	
X.X	:±0.3	X.X	:±1°	
X.XX	:±0.2			
TITLE		DC POWER JACK		
DWN	YUREN	PART NO. 2DC3064-031111F		
CHKD	CERRY	SCALE 4:1	UNIT: mm	
APVD	LIAO	SIZE: A3	SHEET: 1 OF 2	REV: B
<b>CUSTOMER COPY</b>				

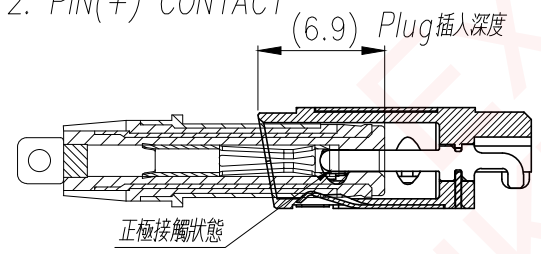


REV.	ECN NO OR DESCRIPTION	REVISED	DATE
A	PDR NO.T140414-4A	Allen	2014.09.25
B	ECN NO.S150747-C	YUREN	2015.09.11

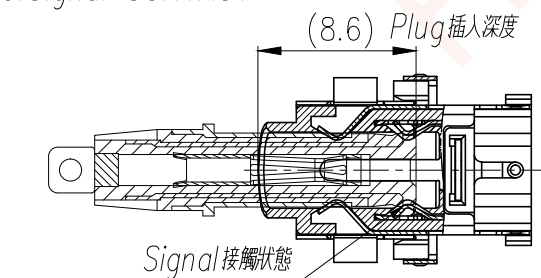
1. SPRING(-) CONTACT



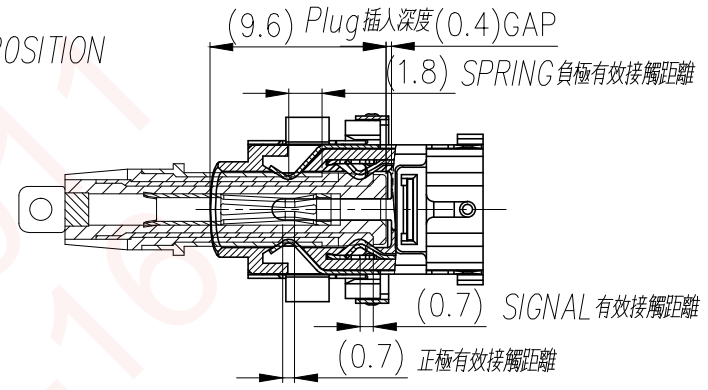
2. PIN(+) CONTACT



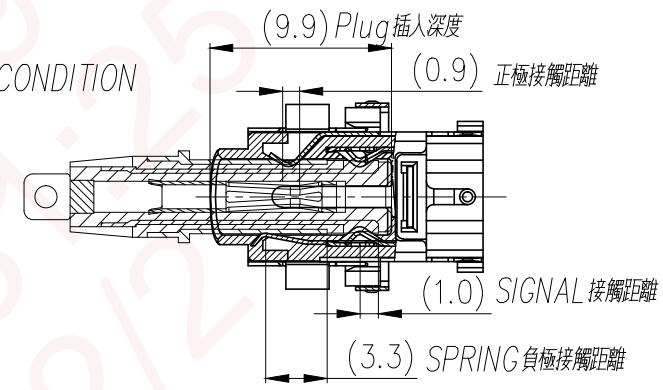
3. Signal CONTACT



4. LOCK POSITION



5. MATING CONDITION



TEM	DESCRIPTION	QTY	MATERIAL	PLATING & COLOR
UNLESS OTHERWISE SPECIFIED TOLERANCES		Singatron Enterprise Co., Ltd. 信音企業股份有限公司		
DECIMALS: ANGLES:		TITLE: DC POWER JACK_MATING DRAWING		
X : ±0.5	X : ±2°	DWN	YUREN	PART NO. 2DC3064-031111F
X.X : ±0.3	X.X : ±1°	CHKD	CERRY	SCALE 4:1 UNIT: mm
X.XX : ±0.2		APVD	LIAO	SIZE: A3 SHEET: 2 OF 2 REV: B
CUSTOMER COPY				