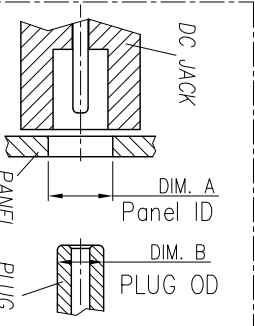
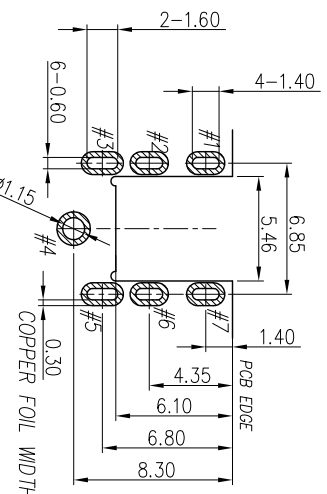
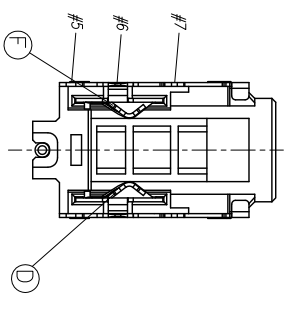
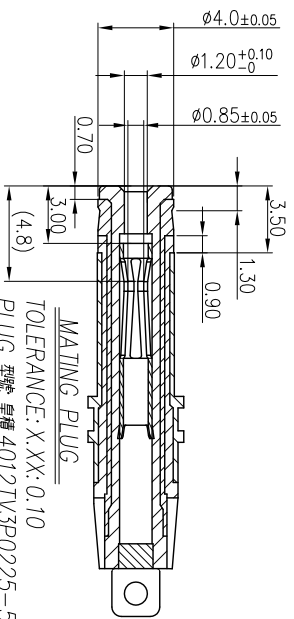
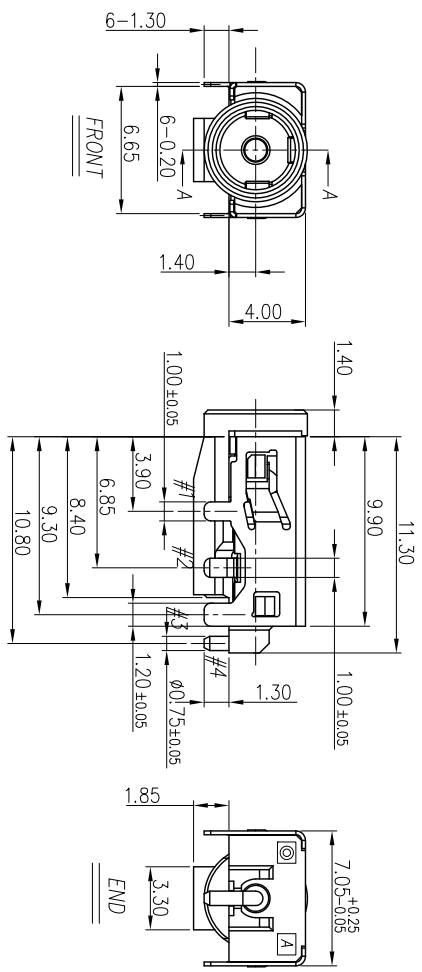


- SPECIFICATIONS:**
- Electrical Spec:
 - Rated Current: 5.0A
 - Rated Voltage: 20V
 - Insulation Resistance: 100MΩ MIN. After By 500 VDC for 1 minute
 - Dielectric Withstanding Voltage: 500V AC for 1 minute.
 - Contact Resistance: 30mΩ Max.
 - Mechanical Spec:
 - Insertion Force: 1.0~2.5 kg.(Initial) 0.8~2.3 kg.(After Life Test)
 - Withdrawal Force: 0.8~2.0kg.(Initial) 0.6~2.0kg.(After Life Test)
 - Temperature Rise Can't Exceed 30°
 - Life Test(Insertion/Withdrawal): 5,000 Cycles Min.
 - To Conform To SINGATRON Hazardous Substance Free Spec.
 - Halogen Free Product Identification Mark On Jack:
 - Halogen Free Product Identification Label On Packaging:
 - For Reflow Soldering Lead-Free Process.
 - The Panel's ID Must Be Greater Than The Plug's OD Which Must Have A Difference Of Less Than Or Equal To 0.5 mm.(As Shown In Figure 1.)



RECOMMEND P.C.B LAYOUT
(TOLERANCES: ±0.05)

F	SIGNAL A	1	YOUT-FX 0.20T	GOLD FLASH OVER Ni 50u"
E	SHELL	1	CS210 0.20T	Au 1u" ON SOLDER TAIL OVER Ni 50u"
D	SIGNAL B	1	YOUT-FX 0.20T	GOLD FLASH OVER Ni 50u"
C	TERMINAL	1	SUS304 0.30T	N/A
B	PIN	1	HBI59	GOLD FLASH OVER Ni 50u"
A	BODY	1	PA6T+30%GF UL 94V-0	BLACK
ITEM	DESCRIPTION	QTY	MATERIAL	PLATING & COLOR
UNLESS OTHERWISE SPECIFIED TOLERANCES				
Singaton Enterprise Co., Ltd. 信晉企業股份有限公司				
DECIMALS: ANGLES:				
X	: ±0.5	X	: ±2°	
XX	: ±0.3	XX	: ±1°	
XXX	: ±0.2			
TITLE: DC POWER JACK				
DWN	Jie	PART NO.	2DCG3064-038111F	
CHKD	Sky	SCALE	4:1	UNIT: mm
APVD	Lussen	SIZE: A3	SHEET: 1 OF 1	REV: A

CUSTOMER COPY

