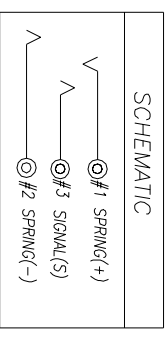
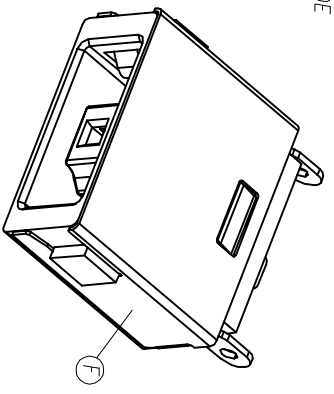
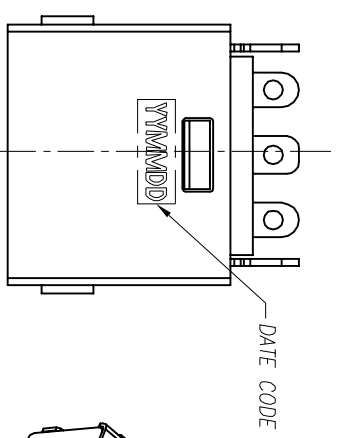
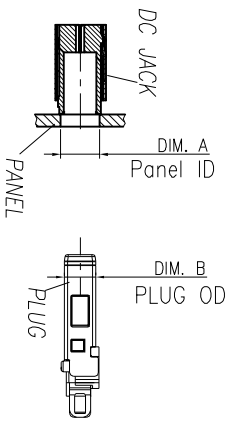
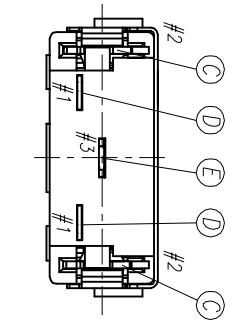
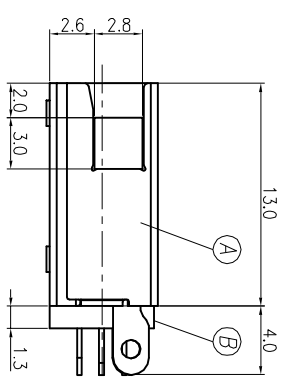
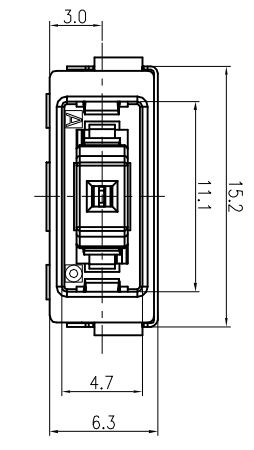


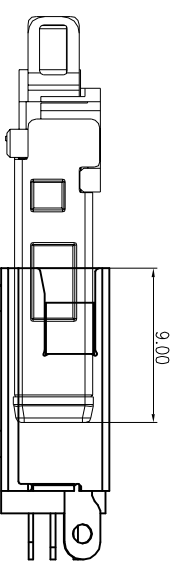
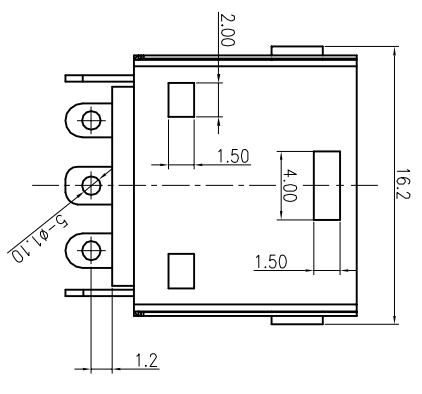
REV	ECN NO OR DESCRIPTION	REVISED	DATE
A	PDR NO:1140530-9A	Allen	2014.09.15



- SPECIFICATIONS:
- ELECTRICAL CHARACTERISTICS:
    - RATING: 20V 7A
    - CONTACT RESISTANCE: 30mΩ MAX (INITIAL)
    - JACK SHALL WITHSTAND 500 V AC BETWEEN ANY ADJACENT TERMINAL FOR ONE MINUTE.
    - INSULATION RESISTANCE: 100MΩ MIN. MEASURED BY 500 V DC
  - MECHANICAL CHARACTERISTICS:
    - INSERTION FORCE: 3.0 KGF MAX.
    - WITHDRAWAL FORCE: 0.3~3.0KGF.
    - LIFE TEST: 5,000 CYCLES MIN.
    - TO CONFORM TO SINGATRON HAZARDOUS SUBSTANCE FREE SPEC.
    - HALOGEN FREE PRODUCT IDENTIFICATION MARK ON JACK:
    - HALOGEN FREE PRODUCT IDENTIFICATION LABEL ON PACKAGING:
    - FOR HAND SOLDERING LEAD-FREE PROCESS.
    - PRINTED DATE CODE "WMMMD" ON TOP OF CONNECTOR.  
(WMMMD yy:year MM:month DD:day)
    - THE PANEL'S ID MUST BE GREATER THAN THE PLUG'S OD WHICH MUST HAVE A DIFFERENCE OF LESS THAN OR EQUAL TO 0.5 mm.(AS SHOWN IN FIGURE 1.)



DIM. A-DIM. B < 0.5  
FIGURE 1



MATING STATE  
MATING PLUG P/N  
2PP3067-001511F

F	SHELL	1	COPPER ALLOY 0.2T	Ni 50u"
E	SIGNAL	1	COPPER ALLOY 0.3T	GOLD FLASH ON CONTACT AREA;
D	SPRING(+)	2	COPPER ALLOY 0.25T	Matte Sn 120u" ON SOLDER TAIL;
C	SPRING(-)	2	COPPER ALLOY 0.4T	ALL OVER Ni 50u"
B	COVER	1	THERMOPLASTIC	
A	BODY	1	UL 94V-0	YELLOW (123c)
NO	DESCRIPTION	QTY	MATERIAL	PLATING & COLOR

UNLESS OTHERWISE SPECIFIED TOLERANCES

DECIMALS:	ANGLES:
X :±0.5	X :±2°
X.X :±0.3	X.X :±1'
X.XX :±0.2	

TITLE	DC POWER JACK
DWN Allen	PART NO. 2DC3067-008511F
CHKD Sky	SCALE: 4:1 UNIT: mm
APVD Lussen	SIZE: A3 SHEET: 1 OF 1 REV: A

CUSTOMER COPY

Singatron Enterprise Co., Ltd.  
信登企業股份有限公司