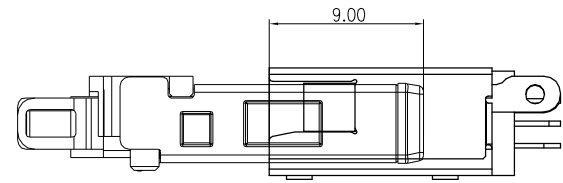
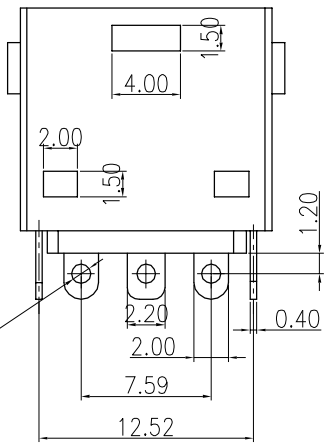
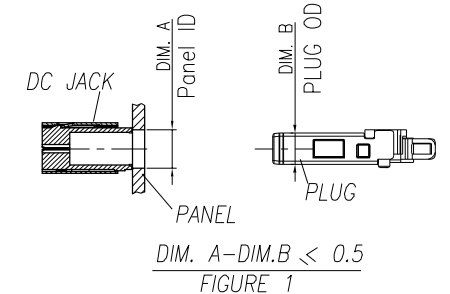
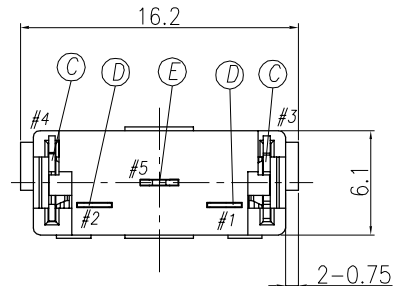
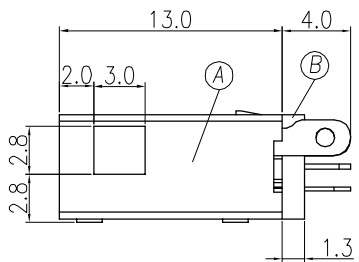
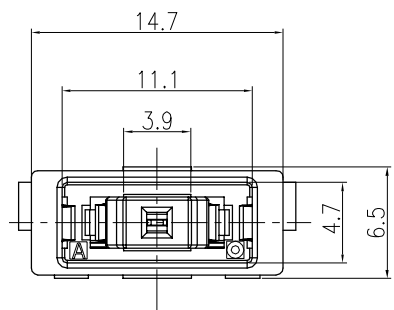
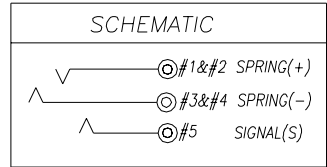
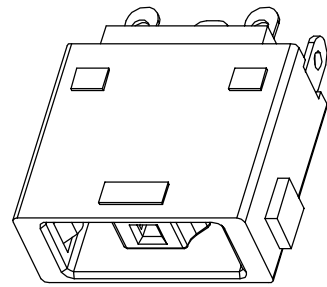
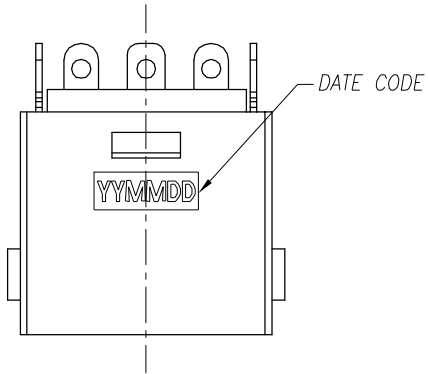


REV.	ECN NO OR DESCRIPTION	REVISED	DATE
A	PDR NO:S200828-5A	Sugar	2021.03.09

SPECIFICATIONS:

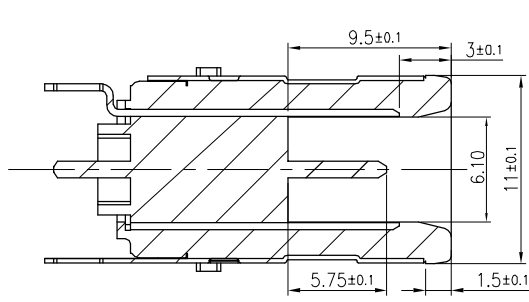
- ELECTRICAL CHARACTERISTICS:
 - RATING: 20V 7A
 - CONTACT RESISTANCE: 30mΩ MAX.(INITIAL)
 - JACK SHALL WITHSTAND 500 V AC BETWEEN ANY ADJACENT TERMINAL FOR ONE MINUTE.
 - INSULATION RESISTANCE: 100MΩ MIN. MEASURED BY 500 V DC
- MECHANICAL CHARACTERISTICS:
 - INSERTION FORCE : 3.0 KGF MAX.
 - WITHDRAWAL FORCE : 0.3~3.0KGF.
- LIFE TEST: 5,000 CYCLES MIN.
- OTHER GENERAL SPEC. TO REFER "2DC3067-012511F SPEC".
- TO CONFORM TO SINGATRON HAZARDOUS SUBSTANCE FREE SPEC.
- HALOGEN FREE PRODUCT IDENTIFICATION MARK ON JACK:
- HALOGEN FREE PRODUCT IDENTIFICATION LABEL ON PACKAGING:
- FOR HAND SOLDERING LEAD-FREE PROCESS.
- PRINTED DATE CODE "YYMMDD" ON TOP OF CONNECTOR.
(YYMMDD YY:YEAR MM:MONTH DD:DAY)
- THE PANEL'S ID MUST BE GREATER THAN THE PLUG'S OD WHICH MUST HAVE A DIFFERENCE OF LESS THAN OR EQUAL TO 0.5 mm.(AS SHOWN IN FIGURE 1.)



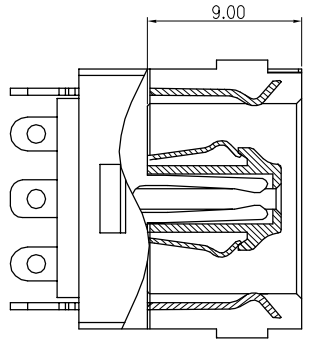
MATING STATE
MATING PLUG P/N
2DP3067-001511F

E	SIGNAL	1	COPPER ALLOY 0.3T	GOLD FLASH ON CONTACT AREA; Matte Sn 120u" ON SOLDER TAIL; ALL OVER Ni 50u"
D	SPRING(+)	2	COPPER ALLOY 0.25T	
C	SPRING(-)	2	COPPER ALLOY 0.4T	
B	COVER	1	THERMOPLASTIC	BLACK
A	BODY	1	UL 94V-0	BLACK
NO	DESCRIPTION	QTY	MATERIAL	PLATING & COLOR
UNLESS OTHERWISE SPECIFIED TOLERANCES			Singatron Enterprise Co., Ltd. 信音企業股份有限公司	
DECIMALS: X :±0.5 X.X :±0.3 X.XX :±0.2		ANGLES: X :±2° X.X :±1°		TITLE DC POWER JACK
DWN	Sugar	PART NO. 2DC3067-012511F		
CHKD	Lussen	SCALE: 4:1	UNIT: mm	
APVD	Liao	SIZE: A3	SHEET: 1 OF 2	REV:A
CUSTOMER COPY				

REV.	ECN NO OR DESCRIPTION	REVISED	DATE
A	PDR NO:S200828-5A	Sugar	2021.03.09

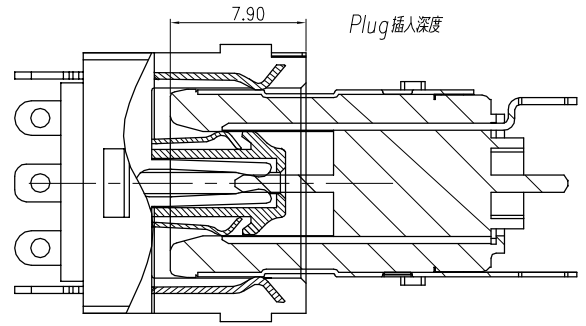


PLUG

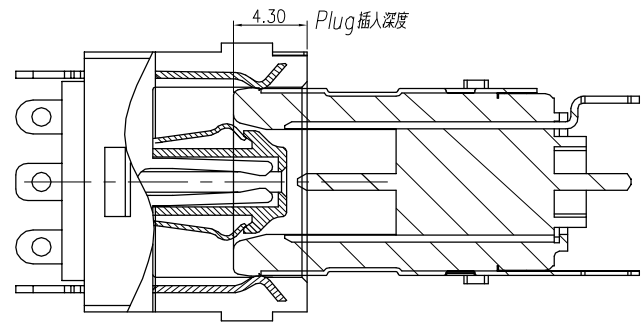


2DC3067-012511F

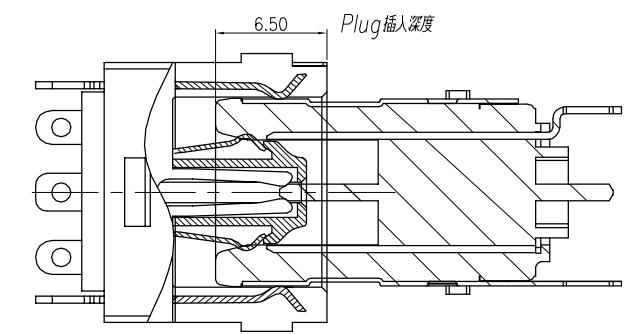
3. SPRING(+) CONTACT



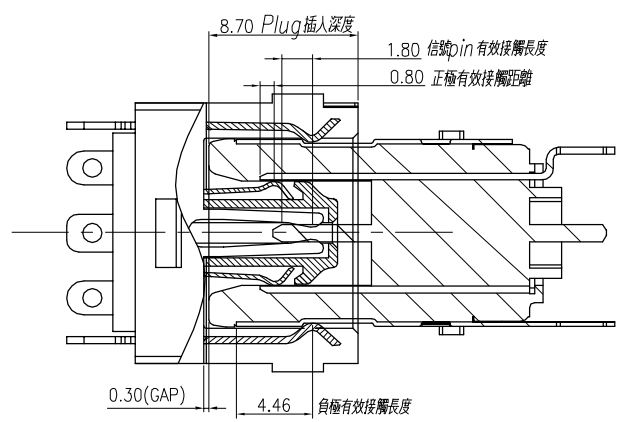
1. SPRING(-) CONTACT



2. SIGNAL CONTACT



4. LOCK POSITION



UNLESS OTHERWISE SPECIFIED TOLERANCES		Singatron Enterprise Co., Ltd. 信音企業股份有限公司	
DECIMALS:	ANGLES:	TITLE	MATING
X :±0.5	X :±2°	DWN Sugar	PART NO. 2DC3067-012511F
X.X :±0.3	X.X :±1°	CHKD Lussen	SCALE: 4:1 UNIT: mm
X.XX :±0.2		APVD Liao	SIZE: A3 SHEET:2 OF 2 REV:A
CUSTOMER COPY			