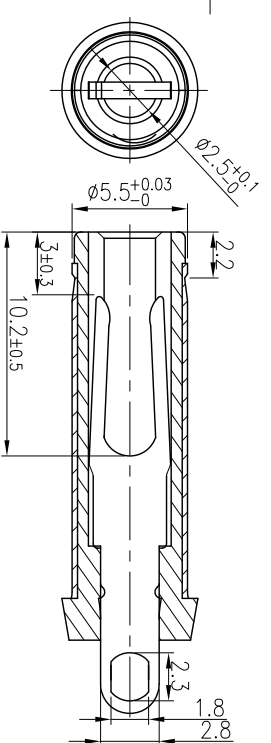
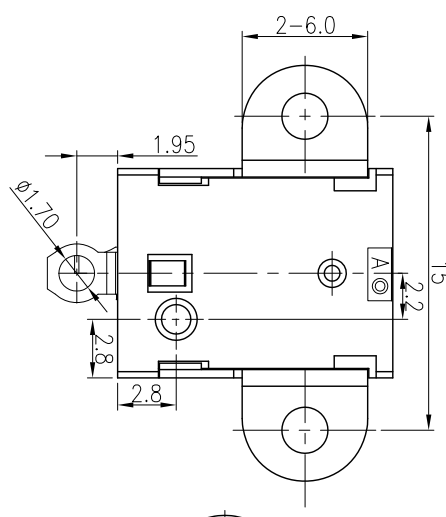
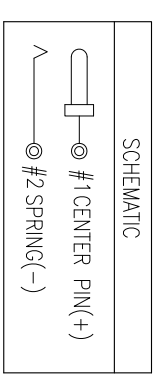
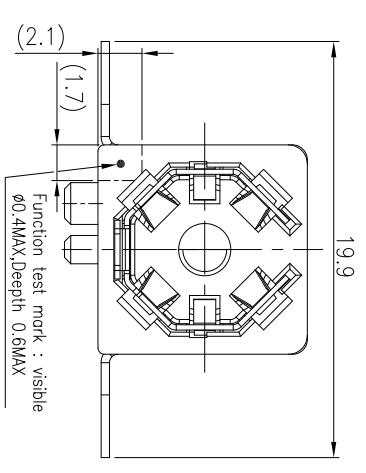
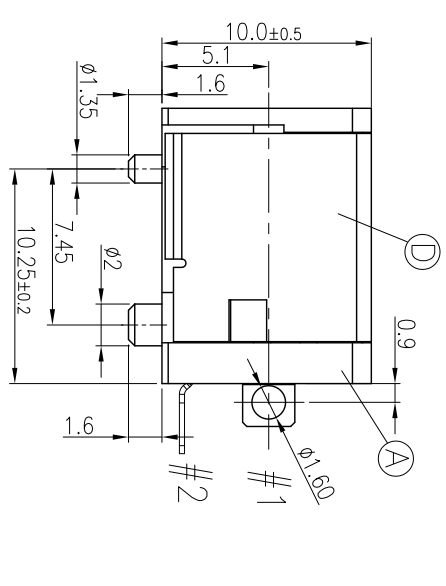
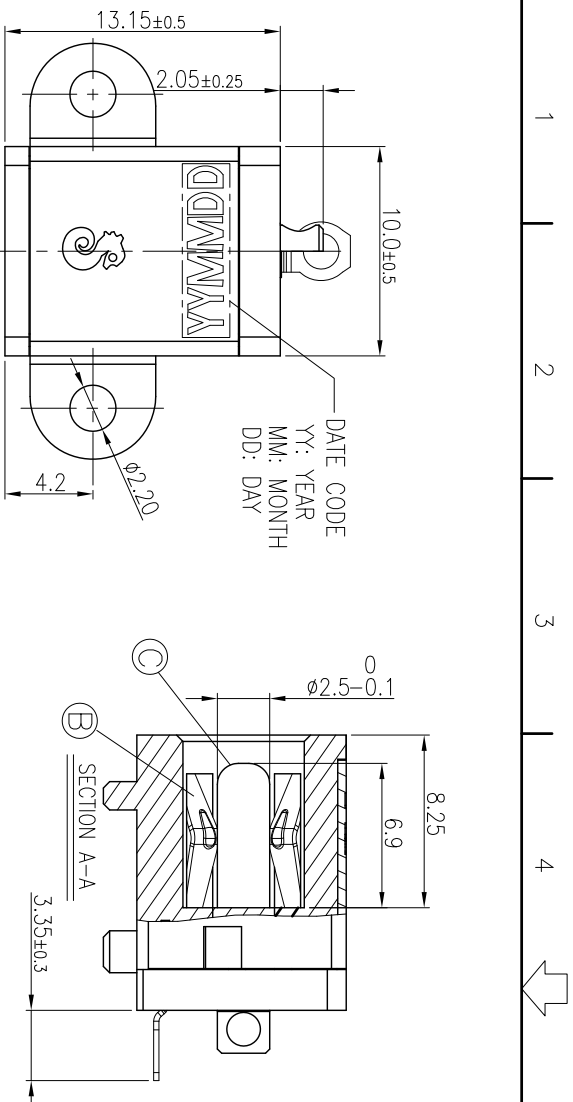


REV.	ECN NO OR DESCRIPTION	REVISED	DATE
A	PPR NO.:120601-5A	Yang	2012.06.21
B	ECR NO.:S130132	Danfeng	2013.04.17

- SPECIFICATIONS:
- 1.ELECTRICAL CHARACTERISTICS:
- 1-1.RATING:20V 7A
 - 1-2.CONTACT RESISTANCE:30mΩ MAX.(INITIAL)
 - 1-3.DIELECTRIC WITHSTANDING VOLTAGE:500V AC FOR ONE MINUTE.
 - 1-4.INSULATION RESISTANCE:100MΩ MIN. MEASURED BY 500V DC.
- 2.MECHANICAL CHARACTERISTICS:
- 2-1.INSERTION FORCE:1.1~2.5Kgf.
 - 2-2.WITHDRAWAL FORCE: 1.1Kgf~2.5Kgf(INITIAL).
- 3.LIFE TEST:5000 CYCLES MIN.
- 4.OTHER GENERAL SPEC. TO REFER "2DC3068-025414FSPEC".
- 5.TO CONFORM TO SINGATRON HAZARDOUS SUBSTANCE FREE SPEC.
- 6.HALOGEN FREE PRODUCT IDENTIFICATION MARK ON JACK:Ⓢ
- 7.HALOGEN FREE PRODUCT IDENTIFICATION LABEL ON PACKAGING:Ⓢ



MATING PLUG
 皇標 P/N:5525TWM250-1T23-02

NO	DESCRIPTION	QTY	MATERIAL	PLATING & COLOR
D	SHIELDING	1	SPCC-SD 0.4T	Ni: 60u" OVER Cu80u"
C	CENTER PIN	1	BRASS	GOLD FLASH OVER Ni: 50u"
B	SPRING	1	COPPER ALLOY 0.25T	GOLD FLASH ON CONTACT AREA Sn 120u" ON SOLDER TAIL ALL OVER Ni: 50u"
A	BODY	1	THERMOPLASTIC UL94V-0	BLACK

UNLESS OTHERWISE SPECIFIED TOLERANCES

DECIMALS: ANGLES:

X : ±0.5 X : ±2°

X.X : ±0.3 X.X : ±1'

X.XX : ±0.2

TITLE: DC POWER JACK

PART NO. 2DC3068-025414F

SCALE 4:1 UNIT: mm

SIZE: A3 SHEET: 1 OF 1 REV: B

CUSTOMER COPY

Singatron Enterprise Co., Ltd.
 信音企業股份有限公司