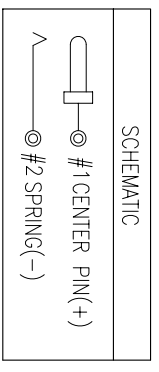
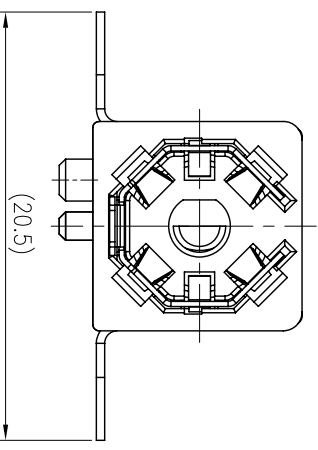
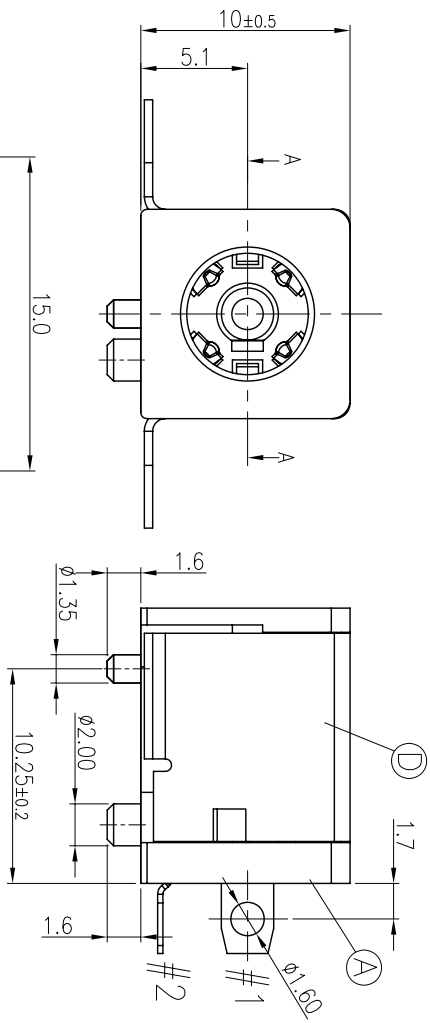
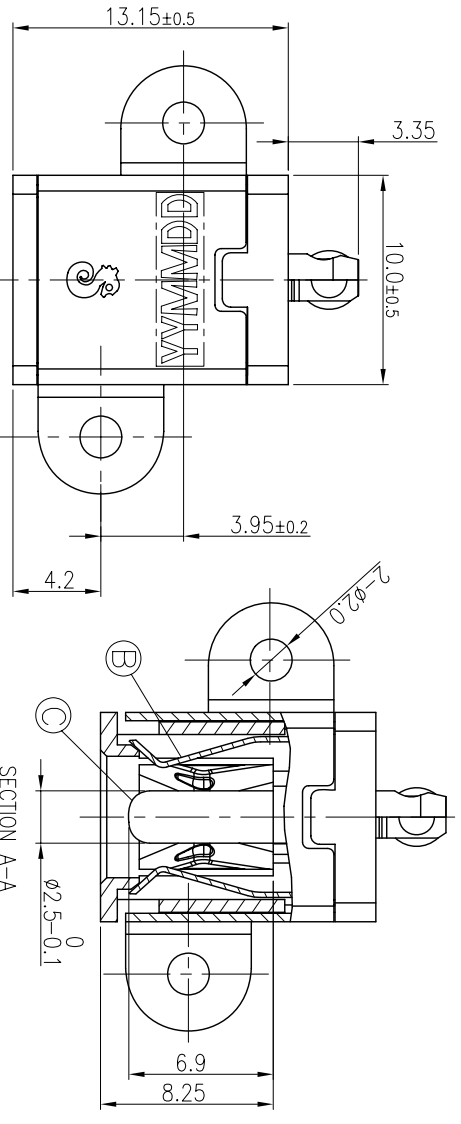
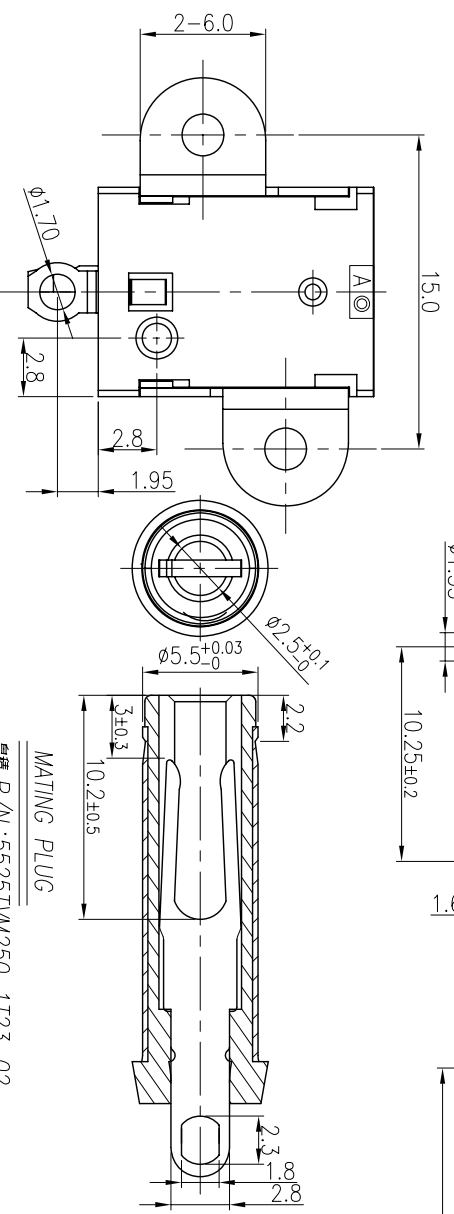


| REV. | ECN NO OR DESCRIPTION | REVISED | DATE |
|------|-----------------------|---------|------------|
| A | PDR NO. T120625-10A | Summer | 2012.08.14 |



- SPECIFICATIONS:
1. ELECTRICAL CHARACTERISTICS:
- 1-1. RATING: 20V 7A
 - 1-2. CONTACT RESISTANCE: 30mΩ MAX. (INITIAL)
 - 1-3. DIELECTRIC WITHSTANDING VOLTAGE: 500V AC FOR ONE MINUTE.
 - 1-4. INSULATION RESISTANCE: 100MΩ MIN. MEASURED BY 500V DC.
2. MECHANICAL CHARACTERISTICS:
- 2-1. INSERTION FORCE: 2.5Kgf MAX.
 - 2-2. WITHDRAWAL FORCE: 1.0Kgf~2.5Kgf(Initial)
0.5Kgf~3.0Kgf(After Life Test)
3. LIFE TEST: 5000 CYCLES MIN.
4. OTHER GENERAL SPEC. TO REFER "2DC3068-035414FSPEC".
5. TO CONFORM TO SINGATRON HAZARDOUS SUBSTANCE FREE SPEC.
6. HALOGEN FREE PRODUCT IDENTIFICATION MARK ON JACK:
7. HALOGEN FREE PRODUCT IDENTIFICATION LABEL ON PACKAGING:



MATING PLUG

皇横 P/N: 5525TWM250-1T23-02

| | | | | |
|----|-------------|-----|-----------------------|---|
| D | SHIELDING | 1 | SPCC-SD 0.4T | Ni: 60u" OVER Cu80u" |
| C | CENTER PIN | 1 | BRASS | Gold flash over Ni: 50u" |
| B | SPRING | 1 | COPPER ALLOY 0.25T | GOLD FLASH ON CONTACT AREA Bright Sn 120u" ON SOLDER TAIL All OVER Ni: 50u" |
| A | BODY | 1 | THERMOPLASTIC UL94V-0 | BLACK |
| NO | DESCRIPTION | QTY | MATERIAL | PLATING & COLOR |



Singatron Enterprise Co., Ltd.
信音企業股份有限公司

TITLE: DC POWER JACK

| | | | |
|------|--------|----------|-----------------|
| DWN | Summer | PART NO. | 2DC3068-035414F |
| CHKD | Sky | SCALE | 4:1 |
| APVD | Lussen | SIZE | A3 |
| | | SHEET | 1 OF 1 |
| | | REV. | A |

CUSTOMER COPY