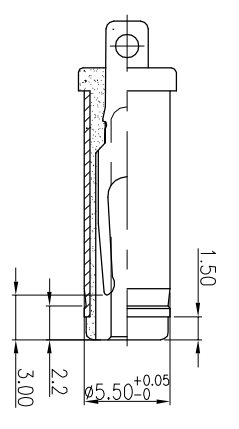
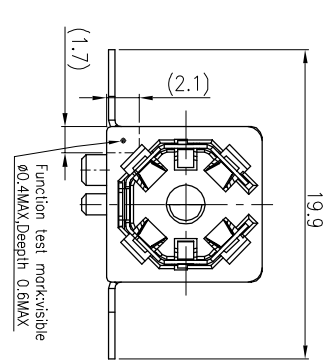
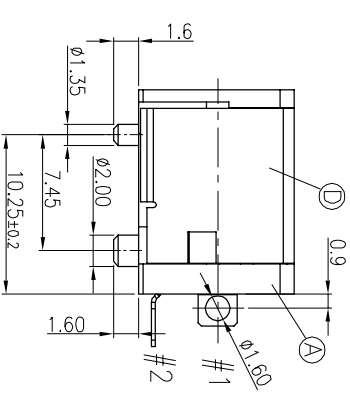
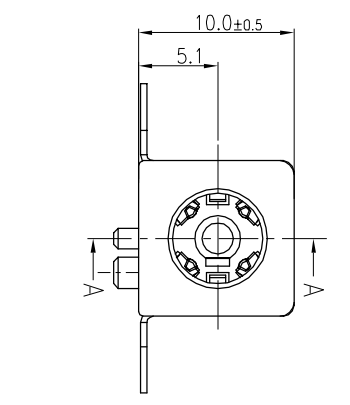
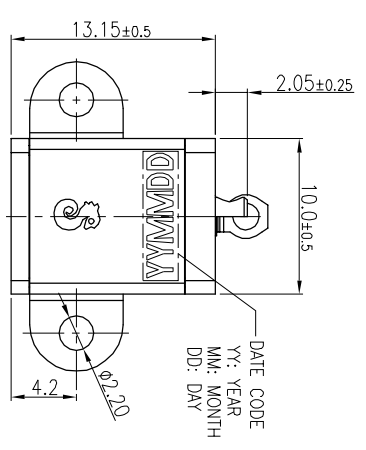
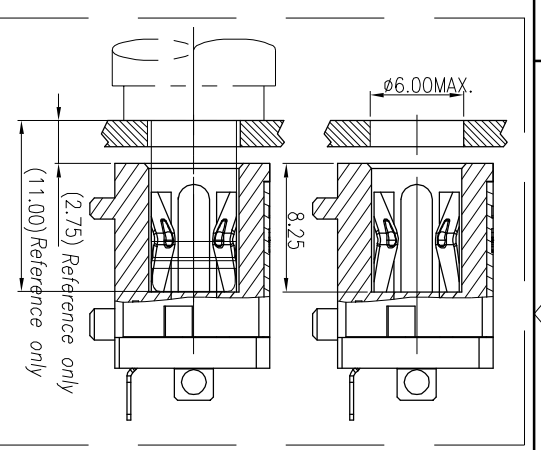
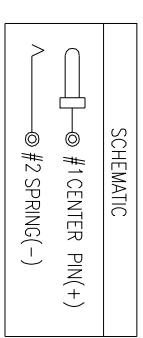
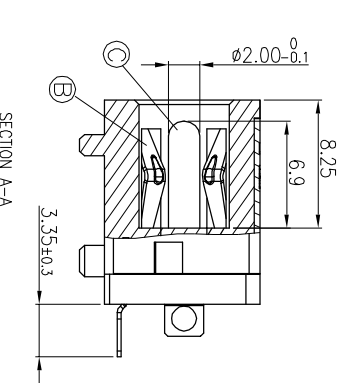
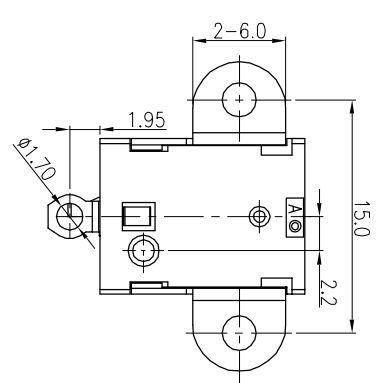


REV	ECN NO	OR DESCRIPTION	REVISED	DATE
A	PDR NO.:T161223-2A	Springwu	2017.5.31	

SPECIFICATIONS:
 1. ELECTRICAL CHARACTERISTICS:
 1-1. RATING: 20V 7A
 1-2. CONTACT RESISTANCE: 30mΩ MAX. (INITIAL)
 1-3. DIELECTRIC WITHSTANDING VOLTAGE: 500V AC FOR ONE MINUTE.
 1-4. INSULATION RESISTANCE: 100MΩ MIN. MEASURED BY 500V DC.
 2. MECHANICAL CHARACTERISTICS:
 2-1. INSERTION FORCE: 2.5kgf MAX.
 2-2. WITHDRAWAL FORCE: 0.5kgf~2.5kgf.
 3. LIFE TEST: 5000 CYCLES MIN.
 4. OTHER GENERAL SPEC. TO REFER "2DC3068-045414FSPEC".
 5. TO CONFORM TO SINGATRON HAZARDOUS SUBSTANCE FREE SPEC.
 6. HALOGEN FREE PRODUCT IDENTIFICATION MARK ON JACK: 
 7. HALOGEN FREE PRODUCT IDENTIFICATION LABEL ON PACKAGING: 



MATING PLUG
 TOLERANCE: X.XX: ±0.10



NO	DESCRIPTION	QTY	MATERIAL	PLATING & COLOR
D	SHIELDING	1	SPCC-SD 0.4T	Ni 60u" OVER Cu80u"
C	CENTER PIN	1	BRASS	GOLD FLASH OVER NI 50U*
B	SPRING	1	COPPER ALLOY 0.25T	GOLD FLASH ON CONTACT AREA Sn 120U" ON SOLDER TAIL ALL OVER NI 50U"
A	BODY	1	THERMOPLASTIC UL94V-0	BLACK

UNLESS OTHERWISE SPECIFIED TOLERANCES

Singatron Enterprise Co., Ltd.
 信晉企業股份有限公司

DC POWER JACK

DECIMALS: ANGLES:

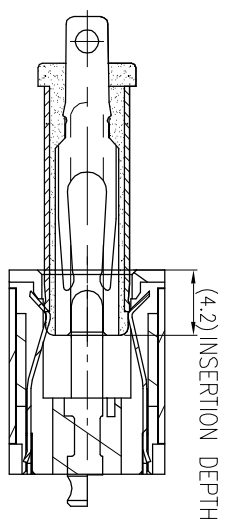
X	:±0.5	X	:±2°
X.X	:±0.3	X.X	:±1°
X.XX	:±0.2		

APVD Lussen SIZE: A3 SHEET: 1 OF 2 REV: A

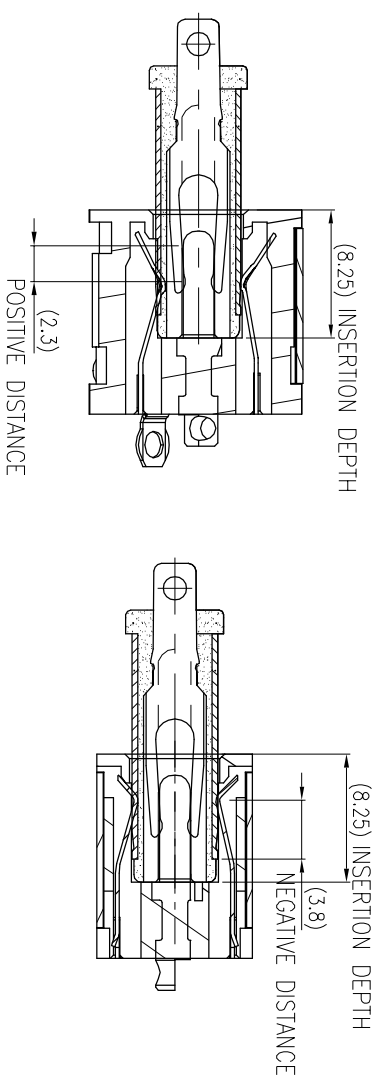
CUSTOMER COPY

REV	EGN NO	OR DESCRIPTION	REVISED	DATE
A	PDR NO.:T161223-2A		Springwu	2017.5.31

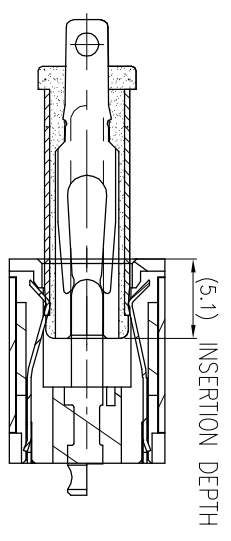
1. NEGATIVE CONTACT FIRST



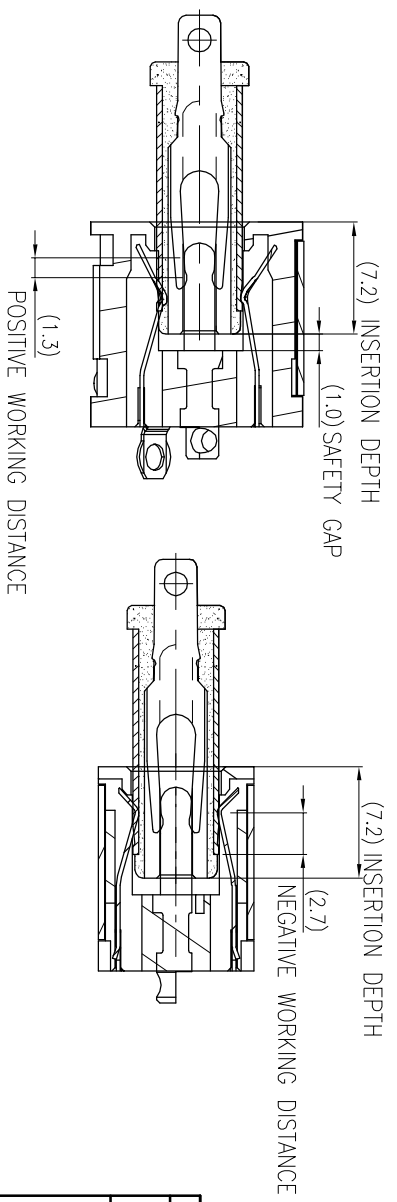
4. FULL INSERTION



2. POSITIVE CONTACT SECOND



3. LOCK POSITION



NO	DESCRIPTION	QTY	MATERIAL	PLATING & COLOR
	UNLESS OTHERWISE SPECIFIED TOLERANCES		Singatron Enterprise Co., Ltd. 信音企業股份有限公司	
	DECIMALS:		ANGLES:	
X	:±0.5	X	:±2°	
X.X	:±0.3	X.X	:±1°	
X.XX	:±0.2			
TITLE	DC POWER JACK			
DWN	Springwu	PART NO.	2DC3088-045414F	
CHKD	Sky	SCALE	4:1 UNIT: mm	
APVD	Lussen	SIZE: A3	SHEET: 2 OF 2	REV: A

CUSTOMER COPY