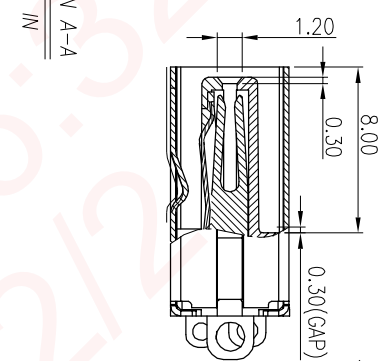
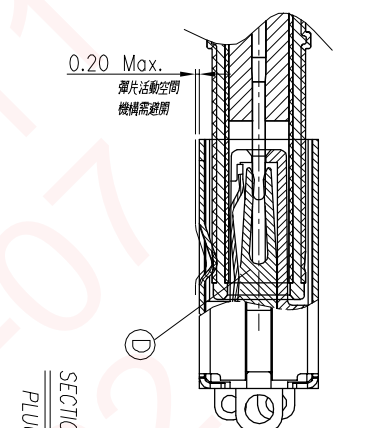
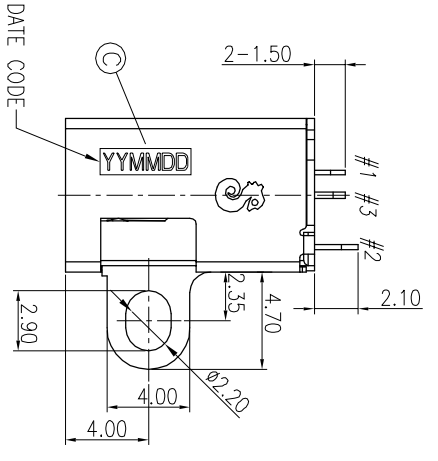
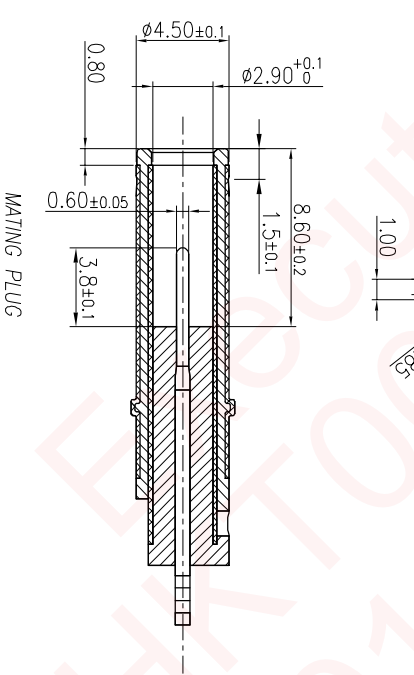
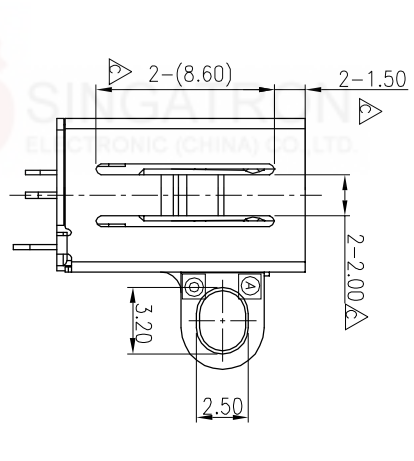
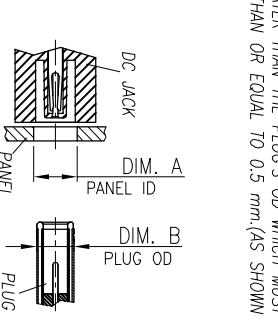
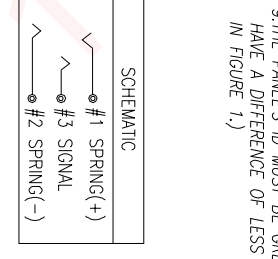
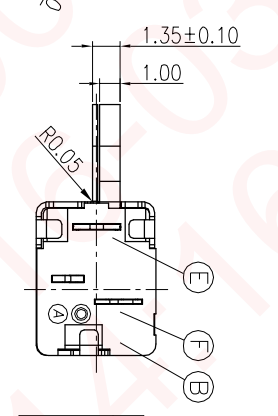
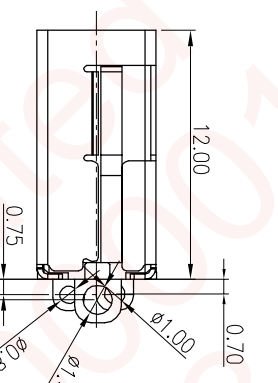
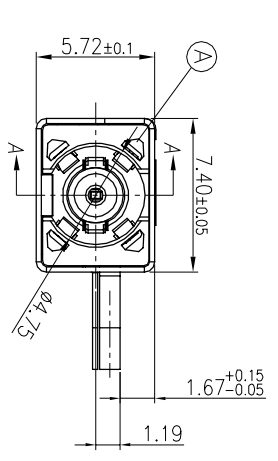


REV.	ECN NO.	OR DESCRIPTION	REVISED	DATE
A	PDR NO. T130605-3B	Allen	2014.06.10	
B	ECN NO. S150610-C	YUREN	2015.07.01	
C	ECN NO. S151259-R	Ron	2016.02.15	



9 THE PANEL'S ID MUST BE GREATER THAN THE PLUG'S OD WHICH MUST HAVE A DIFFERENCE OF LESS THAN OR EQUAL TO 0.5 mm. (AS SHOWN IN FIGURE 1.)

DD: DAY
MM: MONTH
YY: YEAR



NO	DESCRIPTION	QTY	MATERIAL	PLATING & COLOR
A	BODY	1	LCP+30%GF-ET130 (HALOGEN FREE)UL94V-0	BLACK
B	COVER	1	LCP+30%GF-ET130 (HALOGEN FREE)UL94V-0	BLACK
C	SHELL	1	STAINLESS STEEL 0.25T	Ni 50µ Min.
D	SIGNAL	1	COPPER ALLOY 0.30T	All Over Ni 50µ Min.
E	SPRING(-)	1	COPPER ALLOY 0.25T	Matte Sn120µ Min On Solder Tail.
F	SPRING(+)	1	COPPER ALLOY 0.20T	Au 5µ Min+Ag/Ni 25µ Min On Contact Area.

UNLESS OTHERWISE SPECIFIED TOLERANCES		ANGLES:	
DECIMALS:	±0.5	X	±2°
X.X	±0.3	X.X	±1°
X.XX	±0.2		

TITLE	DC POWER JACK
DWN Ron	PART NO. 2DC3069-004114F
CHKD Sky	SCALE 4:1 UNIT: mm
APVD Lussen	SIZE: A3 SHEET: 1 OF 1 REV: C

Singatron Enterprise Co., Ltd.
信登企業股份有限公司

CUSTOMER COPY